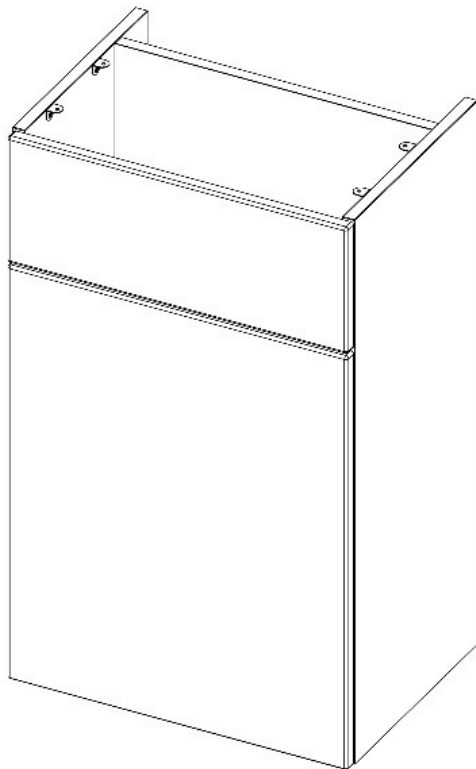
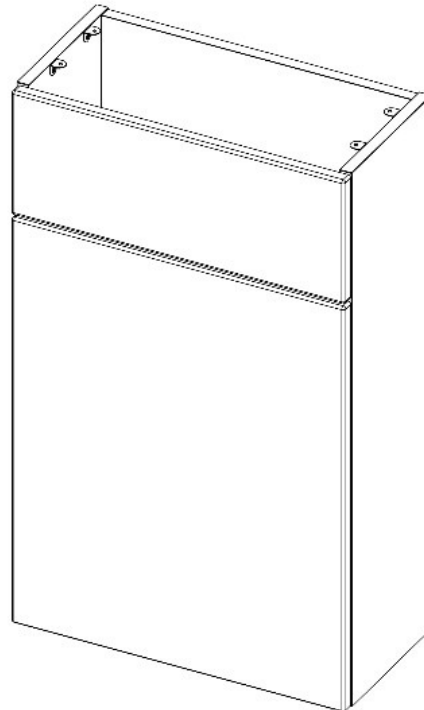


## Installation Instruction WC Units



**WC Unit**



**Slimline WC Unit**

---

# Bathroom Furniture Assembly Instructions

---

## **Product Identification**

All units can be easily identified from the labels on the packaging. These labels include a description and product batch numbers. In the unlikely event of any missing items, these numbers should be quoted when contacting your supplier.

## **Please inspect all products carefully before installation.**

The guarantee does not cover any subsequent installation costs incurred if faults which would have been evident at the time of delivery are discovered after installation.

## **Installation Guide and Assembly Manual**

It is recommended that this guide should be read before any installation of units begins. Always unpack units carefully and check the contents before discarding the packaging as small items may still be in the packaging. To protect units from scratches only lay them on a clean flat surface.

## **Electrical**

Carrying out work in a bathroom that requires any addition or alteration to existing circuits could be notifiable to your local building control department to ensure it meets the correct safety standards. Generally, any work carried out to the circuit within a specific zone close to the bath or shower unit is considered notifiable. A straightforward way of meeting the requirements is to use a contractor who is registered with a Competent Person Scheme such as NICEIC or ELECSA. They can self-certify the work and notify the local building control department on your behalf.

## **Sanitaryware**

### **Basins**

Any unit edges around wash basins must be sealed with a waterproof agent or sealer.

Basins should be levelled on a bead of silicon onto the base unit if possible before the final water and waste connections are made.

### **W/C Units**

You will need to make cut-outs for pipes and cistern controls as directed by the Manufacturer's instructions or templates, remembering to seal any raw edges. The cistern will require fixing to the cross rail. (These fixings are not supplied)

**Please note:** These units are designed for back-to-wall pans as well as suspended "wall hung" pans when used with a suitable suspension frame.

## **Guidelines for Care and Maintenance**

To maintain the appearance and prolong the life of your new bathroom products we recommend the following,

### **Furniture**

Wipe spills up immediately with a clean soft damp cloth as excessive amounts of spillage or condensation can cause deterioration of the woodwork. We recommend that furniture be cleaned with a soft damp cloth and warm soapy water. Avoid using cleaners or polishes that contain abrasives, solvents, acid or ammonia.

### **Mirrors**

Wipe off excessive moisture or condensation, clean with a soft cloth. Avoid using cleaners that contain abrasives, solvents, acid or ammonia.

### **Ceramic Sanitaryware**

Clean with a soft damp cloth and warm soapy water; rinse with clean water and polish with a soft cloth. Avoid using cleaners that contain abrasives, solvents, acid or ammonia.

### **Gel-coated Cast Mineral Washbasins**

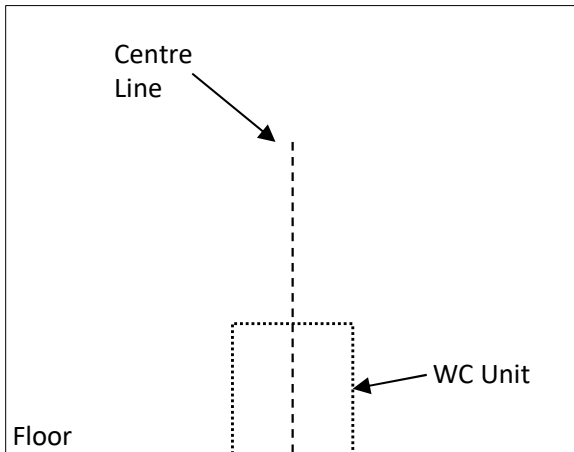
Gel-cast basins are designed and guaranteed to be used with hot water up to a maximum temperature of 65°C, this temperature must not be exceeded.

Clean with a soft damp cloth, water and soap or very mild detergent, rinse and polish with a soft cloth. Avoid using cleaners that contain abrasives, solvents, acid or ammonia. Do not use caustic soda or bleaches. For a good shine use a fine polish around twice a year and then finish with a wax e.g. car wax. Care instructions are included with the washbasin.

### **Brassware**

Clean with a damp cloth, water and soap, rinse clean and polish with a cloth. Avoid using cleaners that contain abrasives, solvents, acid or ammonia.

# Installation



**Diagram 1**

**Note:** Consider where the pipes are located before beginning the installation.

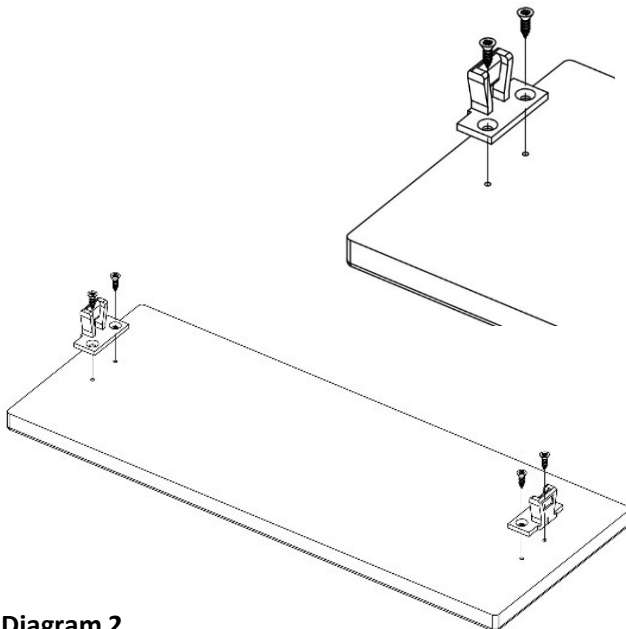
To begin, place the unit into the desired installation position in the room.

Mark a centerline on the wall.

**See Diagram 1**

Once the unit is in position, level the unit by either scribing or packing. Secure the cabinet into position using appropriate fixings.

**Note:** Fixings are not supplied.



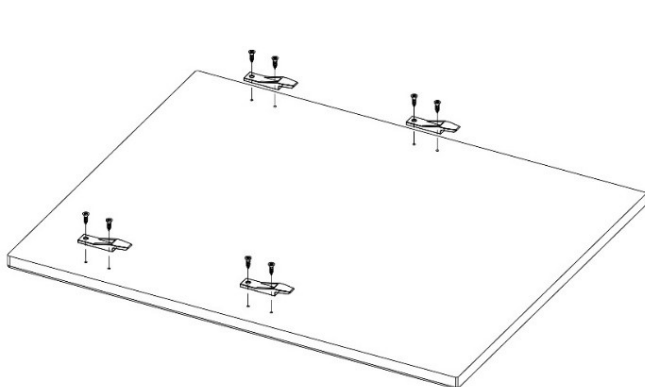
**Diagram 2**

## WC Top Panel - Installation Preparation

Lay the doors, finished face down, on a clean flat surface that will not damage or scratch the product.

Fit the supplied Keku fittings to the top panel, fixing the **6x5/8 screws** provided into the pre-drilled holes.

**See Diagram 2**



**Diagram 3**

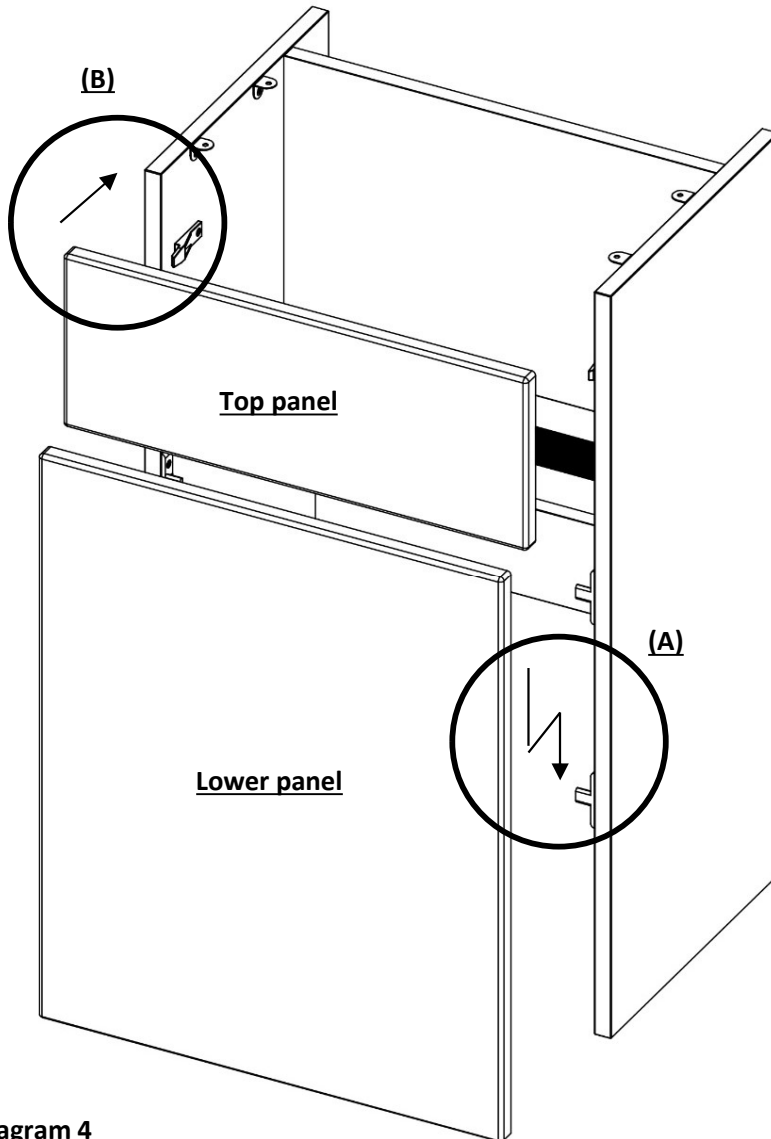
## WC Lower Panel - Installation Preparation

Lay the doors, finished face down, on a clean flat surface that will not damage or scratch the product.

Fit the supplied Keku fittings to the lower panel, fixing the **6x5/8 screws** provided into the pre-drilled holes.

**See Diagram 3**

# Installation



**Diagram 4**

## Fitting the Frontage to the Unit.

### WC Lower Panel Fitting

First fit the WC Lower Panel. Align the Keku fittings on the lower panel with the pre-fitted fittings on the unit. Once aligned push the lower panel downwards until fittings engage with each other.

#### **Diagram 4 (A)**

**Note:** The WC Lower Panel will require cutting to allow for pipes. Refer to WC & cistern specification before cutting.

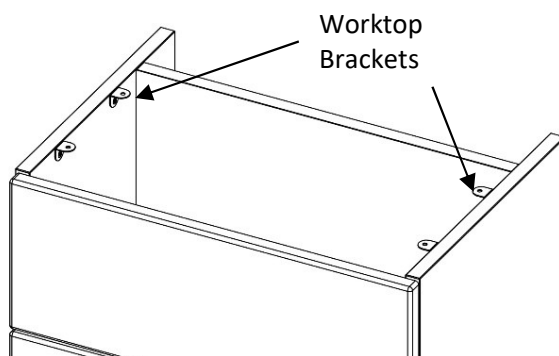
### WC Top Panel Fitting

Next fit the WC Top Panel. Align the Keku fittings on the top panel with the pre-fitted fittings on the unit. Once aligned push the top panel downwards until fittings engage with each other.

#### **Diagram 4 (B)**

**Note:** The WC Top Panel will require cutting for the cistern button. Please refer to the cistern instructions before cutting.

**Note:** Any cut edges should be sealed with appropriate waterproof sealant.



### Worktop Fitting

Worktops can be fitted to the units using the brackets pre-fitted to the units.

**Note:** Screws are not supplied as these are dependent on the worktop thickness.

#### **Diagram 5**

**Diagram 5**

atlanta<sup>®</sup>  
Bathrooms

— est. 1964 —



TO REGISTER YOUR GUARENTEE SCAN ABOVE OR VISIT – [WWW.ATLANTABATHROOMS.COM](http://WWW.ATLANTABATHROOMS.COM)

**Customer Services**  
Tel: 0191 428 0444  
Fax: 0191 489 0620