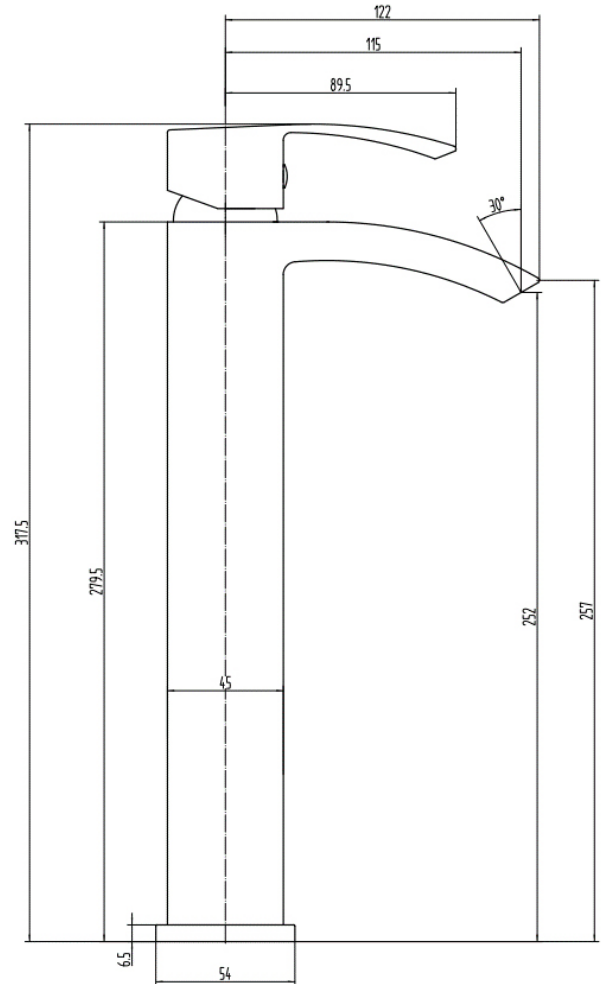




Diagrams not to scale.  
All dimensions in mm tolerance of +/- 2mm



Unit Weight:	2.50Kg
Fitting:	M12 x 350mm G1/2" BSP Female Flexible inlet connection hoses
Water Pressure:	Min. 0.1 bar, Max. 6.0 bar

Specification:

- Suitable for all plumbing systems, Hot and Cold water pressure preferably balanced Max. supply pressure differential requirement no greater than 5:1
- 5 years against manufacturing faults (excluding serviceable parts)
- Construction: Brass Body (CuZn40Pb2), EN CW617N (equivalent to BS CZ122) Zinc-alloy Handle

Finish



Matt Black

