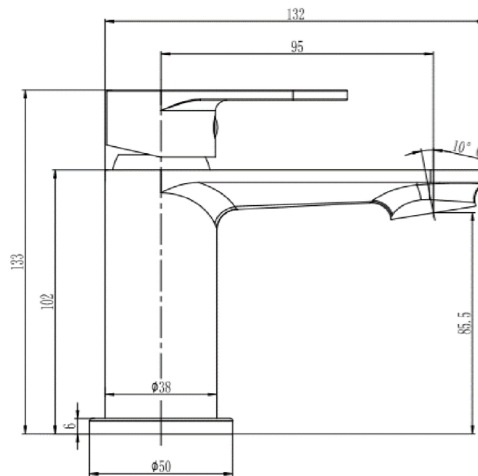




Diagrams not to scale.  
All dimensions in mm tolerance of +/- 2mm

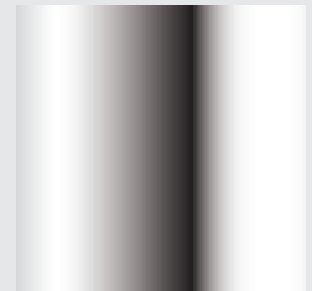


Unit Weight:	1.10Kg
Fitting:	M10 x 350mm G1/2" BSP Female Flexi Tails
Water Pressure:	Min. 0.2 bar, Max. 6.0 bar

Specification:

- Suitable for all plumbing systems, Hot and Cold water pressure preferably balanced
- 10 years against manufacturing faults (excluding serviceable parts)
- Construction: Brass Body (CuZn40Pb2), EN CW617N (equivalent to BS CZ122) Zinc-alloy Handles
- Cartridge: 35mm Ceramic disc cartridge
- Supplied with G1 1/4" sprung waste (UK only)

Finish



Chrome