

bemodern®

FIREPLACES & STOVES | BATHROOM FURNITURE

DIAMOND

Luxury Fireplaces

Floor Standing Marble Suites Instructions For Assembly & Installation

(Surround & IQFX Fire Supplied Separately)

Models Covered:

4318/4319/4320/4321/4322

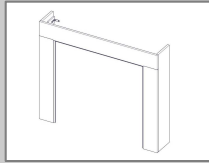
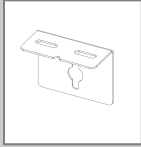
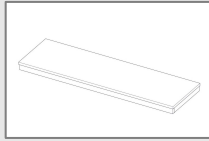
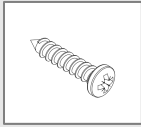
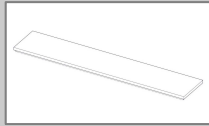
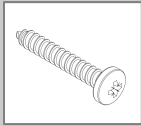
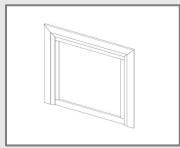
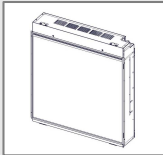
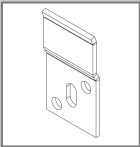
Marble Floor Standing Suites

Including

IQFX 600P / 750P / 750L

	Page
Parts & Fittings Supplied	2
Important Information	3
Hearth Installation	4
Preparing the Fire for Installation	5
Fire Rear Mount Bracket Installation	6-7
Main Body Wall Bracket Installation	8-9
Installing the Back Panel / Divider	10
Installing Surround Main Body	10
Installing Surround Mantel Top	10-11
Maintenance/ Important Note	12

Parts & Fittings Supplied.

REF	PARTS	DIAGRAM	QTY	REF	PARTS	DIAGRAM	QTY
A	Surround Main Body		1	F	Mantle Top Wall Bracket Supplied with surround		1
B	Surround Hearth		1	G	4mmx20mm Dome head POZI Screws Supplied with surround		2
C	Surround Mantle Top		1	H	5mmx30mm Dome head POZI Screws Supplied with surround		1
D	Surround Back Panel/Divider		1	J	Fire Supplied Separately.		1
E	Wall Bracket Supplied with surround		2				

Where appropriate please recycle packaging responsibly.

Important Information - These instructions are for your safety. Please read them thoroughly before use and retain for future reference. Failure to follow them may result in serious or fatal injury and/or property damage.

Before you begin the installation, please ensure that a full and detailed inspection of all component parts is undertaken jointly by the installer and purchaser to ensure there is no damage or manufacturing defects with the product. Once the fireplace has been installed, no claims or responsibility will be accepted by the manufacturer relating to chips, scratches or any other obvious defects.

Please also ensure you carefully read and fully understand these instructions before commencing installation as we cannot accept responsibility for any damage or defects caused by non-compliance with these instructions.

These instructions are written in accordance with the 'Stone Federation Great Britain' guidance on fire surround standard building practice, Building Regulations (Approved Document J) and all relevant British Standards.

This fireplace should be installed only by competent professional fireplace installers and fitted only to suitable surfaces. You should check with your installer that the constructional elements of the intended chimney breast and flue comply with current Building Regulations, and that they are suitable for the appliance that is to be installed. Failure to do so may result in serious or fatal injury and/or property damage.

NOTE: Installation is not recommended as a DIY or single person task. In addition to this giving rise to the potentially increased risk of product damage and/or incorrect installation, it should also be noted that some marble components can be very heavy and will require two people to lift/handle. Caution should always be exercised if attempting to lift heavy or awkward objects. Always ensure the wall and floor have sufficient load bearing capabilities to allow the surround to be installed safely and securely. The foundation must be sufficient to support the entire weight of the surround.

Following the installation, please leave these instructions with the householder.

Micro Marble Fireplaces

Marble is a natural product formed over millions of years by the Earth's natural evolution process. Consequently, no two pieces of marble are exactly the same, and individual fireplaces may be slightly different in veining, marking and shade which gives a unique quality to each and every marble product. Veins, vents and minor pitting are to be expected within marble. These are generally accepted as industry standard and do not detract from the quality of the finished product.

Micro Marble is produced from small pieces of real marble finely crushed and bonded to produce a quality product for your home. Be Modern selects only the highest quality marble to manufacture your fireplace within our UK manufacturing facilities

Before you start

DO NOT dispose of the packaging until you have checked and made sure you have all the parts and fittings listed above. If not, contact: **BE MODERN - HELPLINE 0191 430 0901** who will be able to assist you with this and any other problems you may encounter.

When you are ready to start, make sure that you have the right tools to hand, plenty of space and a clean dry working area.

NOTE: Protect the surface you are working on to prevent any possible damage to the fire surround or floor.

Fire Instructions

For fire operating instructions please refer to the separate instructions supplied with the fire.

Care

To maintain the appearance of your new suite we recommend that it is dusted using a lint free cloth. **NEVER** use any form of abrasive or **DAMP** cloth.

Tools Required (not supplied) •Drill •Pencil •Screw Driver •Ruler •Tape Measure

General Installation

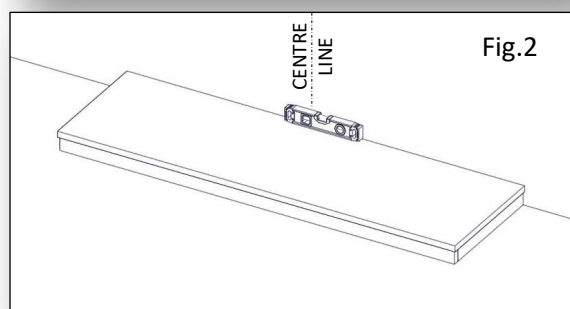
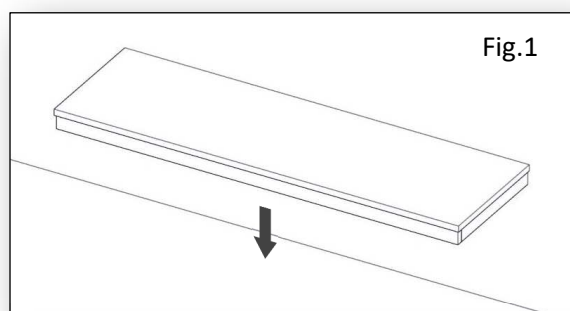
IMPORTANT: Before the surround can be installed, consideration will need to be given to the routing the power supply to the fire and mood lighting if fitted. This will affect the stages of the installation process. We advise a qualified electrician conduct any electrical parts of the installation.

Hearth Installation

1. Confirm the desired installation position of the Suite. Ensuring that the Hearth (B) is fitted level and firmly secured in the desired position on a bed of suitable mortar. **See Fig.1.**

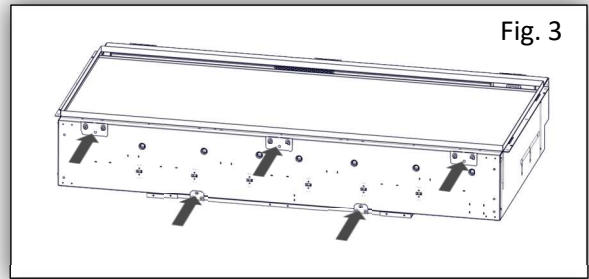
2. Confirm the Hearth (B) is level. Then mark a centre line vertically up from the centre of the Hearth (B) 700mm in length. **See Fig.2.**

Note: The Hearth is a two adult person lift.

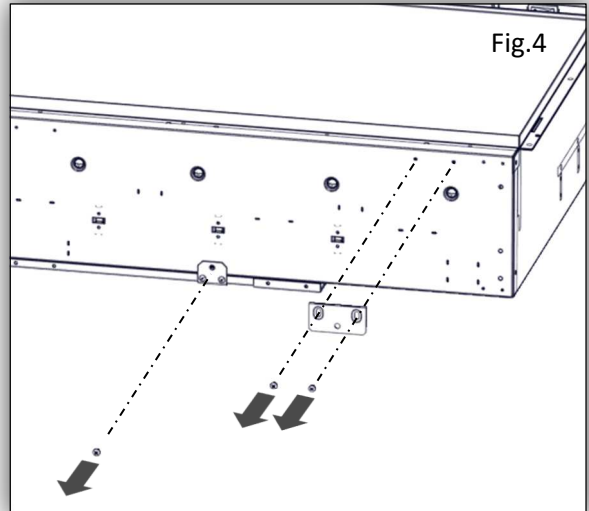


Preparing the Fire for Installation

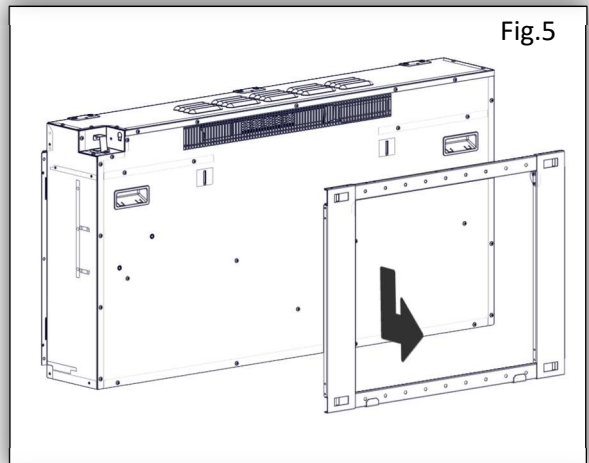
3. Unpack the Fire (J)



4. Lay the Fire (J) on its back and unscrew the 2x rear wall mount bracket securing screws on the rear base of the fire. **See Fig.3 & 4.**



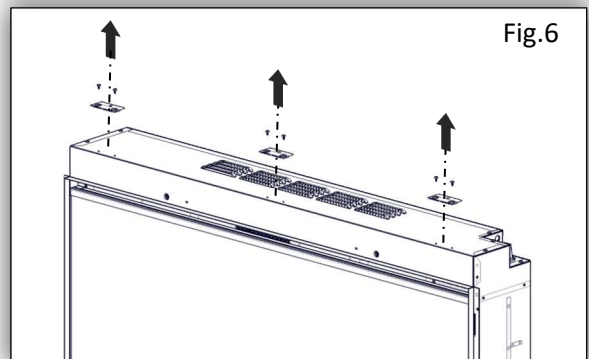
5. Position the Fire (J) back on to its base and angle the rear wall mount bracket away from the fire at the base, then move the bracket down off the hook points. **See Fig.5.**



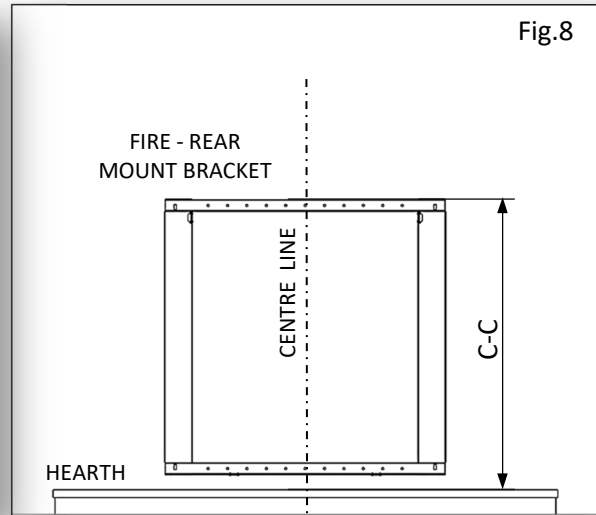
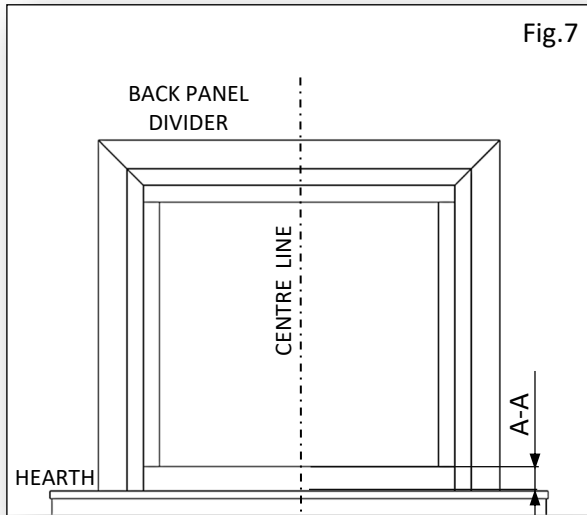
6. The Fire (J) is also supplied from the factory with 4x or 6x (dependent on the model) finger bend fixing brackets.

Lay the fire on its back again.

Each bracket is held in place with 2x screws. Remove all brackets and screws. They are not required for this installation. **See Fig. 3 - 6.**



Fire Rear Mount Bracket Installation



7. To secure, the previously removed fire rear mount bracket to the wall, first determine which fire you have purchased: IQFX 600P, 750P or 750L.

Note: The bracket installation dimensions are different for each model. (See the table below)

8. Measure the height of the Back Panel Divider (D) bottom panel/slip. **See A-A Fig.7.** Add together the dimensions A-A & B-B from the table below, to get the dimension C-C total. Mark a horizontal line at the C-C height (about the width of the fire bracket), measuring from the top of the previously installed level Hearth (B). **See Fig.8.** Place the fire bracket centrally on the wall with the bracket top edge inline horizontally with the pre-marked line. Mark 6 wall fixing points. **See Fig.9 & 10.**

FIRE – REAR MOUNT BRACKET POSITION	DIMENSION A-A	+	DIMENSION B-B	=	TOTAL C-C
FIRE – IQFX 600P 4318 / 4322	A-A	+	491mm	=	C-C
FIRE – IQFX 750P 4319 / 4322	A-A	+	693mm	=	C-C
FIRE – IQFX 750L 4320 / 4321	A-A	+	417mm	=	C-C

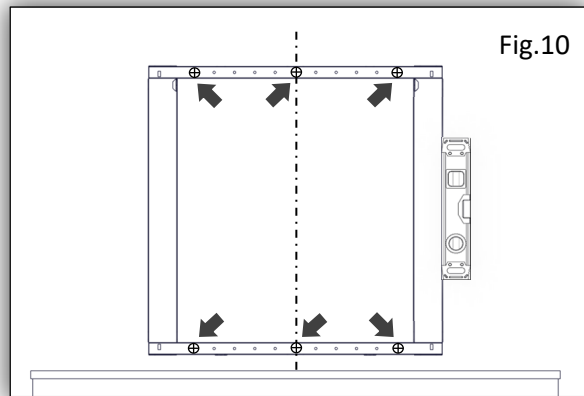
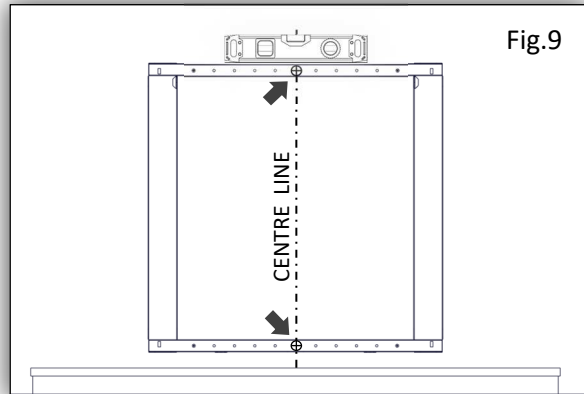
Fire Rear Mount Bracket Installation Continued.....

Note: Ensure the rear mount bracket is level and plumb at all stages, as this is critical to the Fire (J) lining up and fitting correctly into the surround.

9. Drill & plug all marked holes on the wall using appropriate fixings.
(see 'Important Note' on page 12).

10. Starting with the top centre hole, securely screw the mount bracket in place confirming it is level and plumb at all stages, until the fire rear mount bracket is securely fixed to the wall.
See Fig.10.

Note: In the event you have an opening in the wall that you wish to install the Suite on and are unable to fix the fire rear mounting bracket to the wall, then the Fire (J) can be packed up at the base to the correct level using a suitable material.
Material not supplied.
The table below details the support material height for each surround / fire combination.

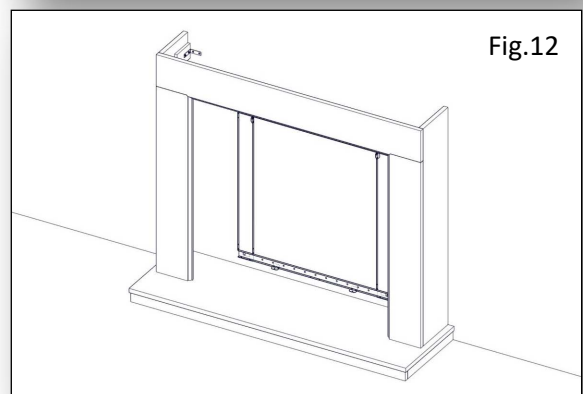
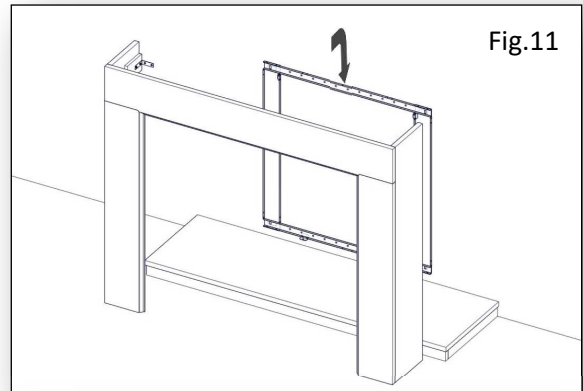


FIRE SUPPORT PACKING HEIGHT	4318	4319	4320	4321	4322
600P FIRE	47.5mm	-	-	-	83.5mm
750P FIRE	-	40.5mm	-	-	40.5mm
750L FIRE	-	-	90.5mm	90.5mm	-

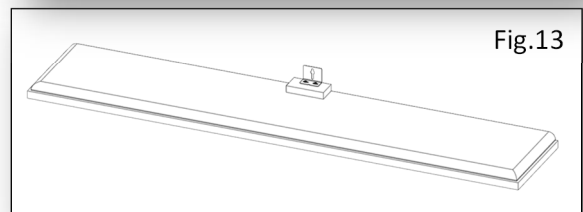
Main Body Wall Bracket Installation

11. Lift the Main Body (A) in to position centrally on the pre-installed Hearth (B). See Fig.11 & 12.

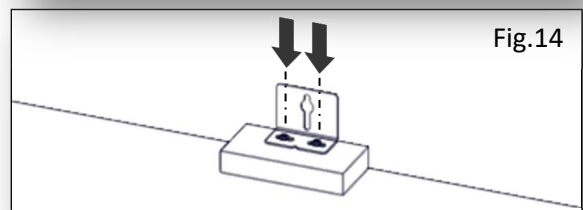
Note: The Main Body is a two adult person lift.



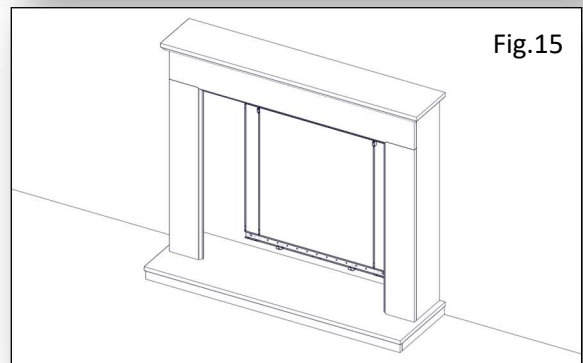
12. Unpack the Surround Mantel Top (C) and lay on a clean work area. Place the Mantel Top Wall Bracket (F) centrally on the screw block. See Fig.13.



13. Securely fix the Mantel Top Wall Bracket (F) centrally and flush with the rear of the screw block with the supplied 2x 20mm Dome Head Screws (G) See Fig.14.



14. Temporarily place the Mantel Top (C) centrally on the Surround Main Body (A), so the required fixing points on the wall can be marked in the following steps. See Fig.15.



Main Body Wall Bracket Installation Continued....

15. With the Surround Main Body (A) and Mantel Top (C) temporarily placed in position. Mark the hole position for the mantel top mount bracket screw point. **See Fig.16 & 17.**

16. At the same time, position the 2x Wall Brackets (E) over the pre-installed L-brackets 10mm in from the MDF side blocks on the Main Body (A) and mark the hole positions. **See Fig.16 & 18.**

17. Remove the Mantel Top (C) and Main Body (A).

Note: The Main Body and Mantel Top are a two adult person lift.

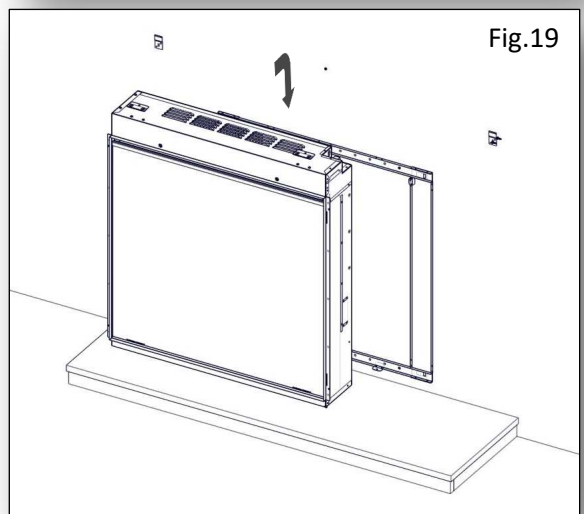
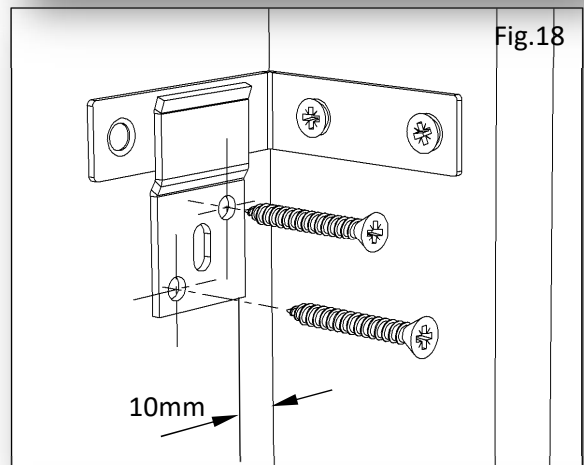
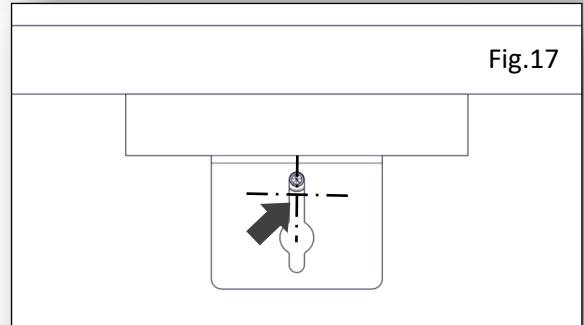
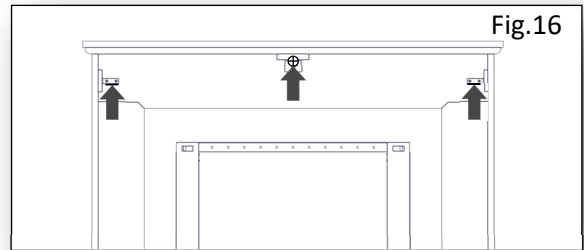
18. Drill & plug the wall using appropriate fixings. **(see 'Important Note' on page 12).** Securely fix the Wall Brackets (E) in place. **See Fig.18.**

19. Fit the Screw (H) 1 x 5mm x 30mm to the wall with the head pretruding out from the wall about 5mm, this is required to fit the Mantel Top (C) in a later step. **See Fig.17.**

20. Lift the Fire (J) in to place on to the previously installed fire rear wall mount bracket, so it locks in place on the mounting hooks and sits level with the Hearth (B). **See Fig.19.**

Note: The Fire is a two adult person lift.

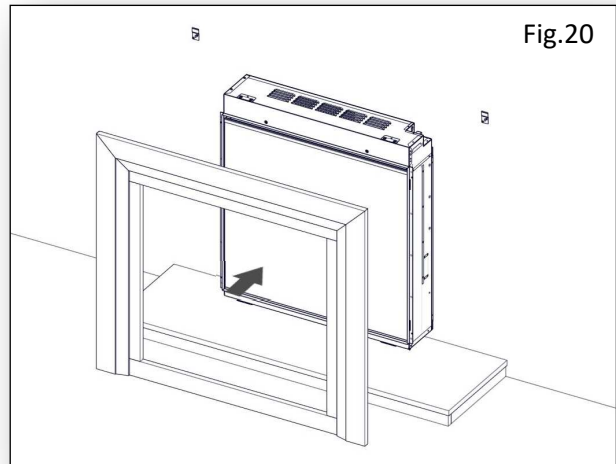
IMPORTANT: If a power cable is to be routed to the rear of the Suite. Care must be taken not to crush or damage the cable when positioning the Suite.



Installing the Back Panel / Divider

21. Lift the Surround Back Panel/ Divider (D) in to place fitting the opening over the Fire (J) outer body flanges. See Fig.20.

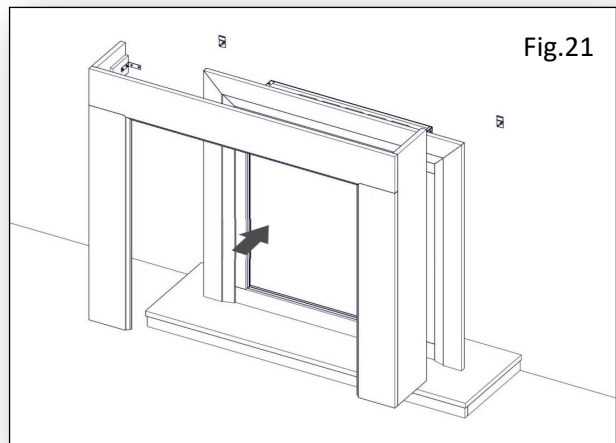
Note: The Back Panel is a two adult person lift.



Installing Surround Main Body

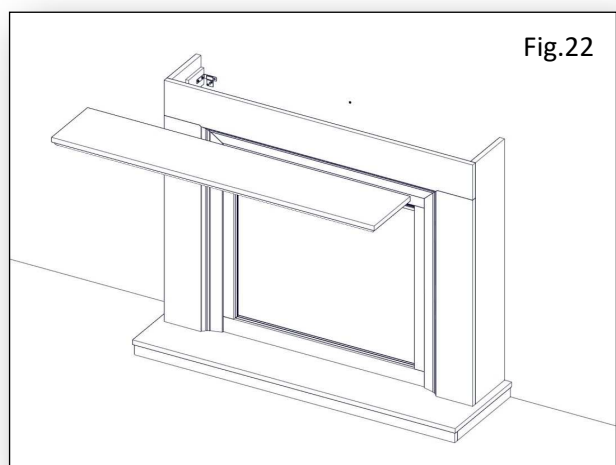
22. To fit the Main Body (A) in place. Lift the Main Body (A) and position the pre-installed L-brackets over the pre-installed Wall Brackets (E) and lower onto the hearth See Fig.18 & 21.

Note: The Main Body is a two adult person lift.



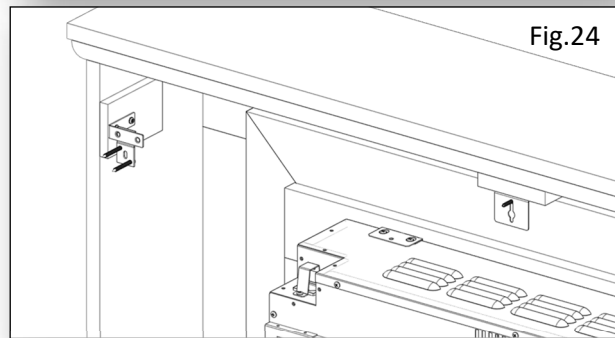
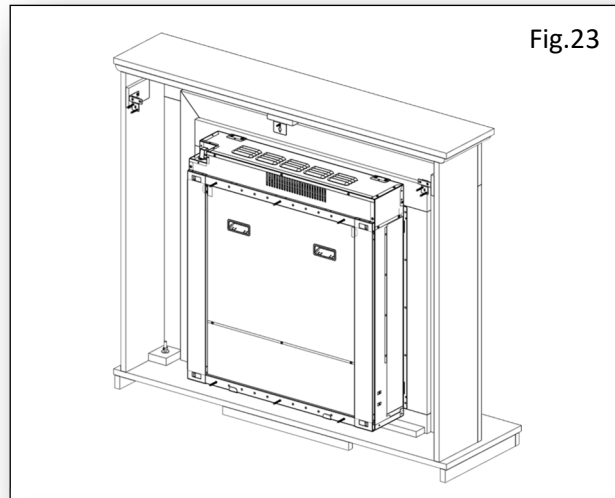
Installing Surround Mantel Top

23. To fit the Mantle Top (C) in place, lift the Mantle Top (C) centrally on to the Main Body (A). See Fig.17 & 22.



Installing Surround Mantel Top Continued....

21. When fitting the Mantel Top (C) it is **very important** that the Mantel Top Wall Bracket (F) locks over the pre-installed wall screw.
See Fig.17,22,23,24.

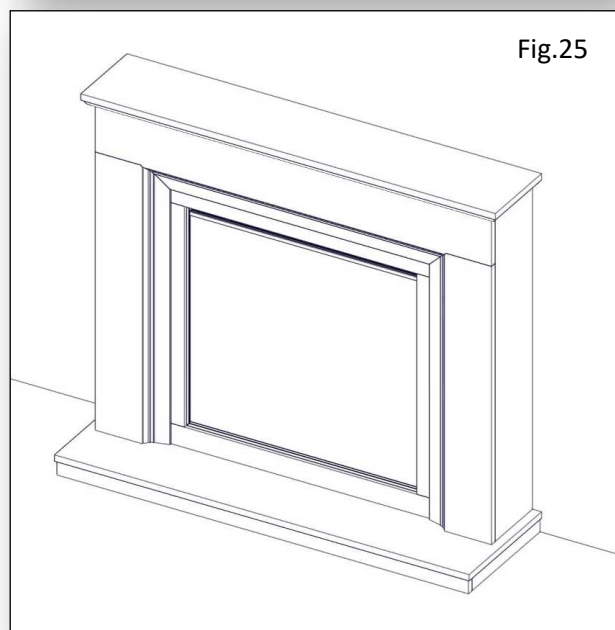


22. The surround installation is now complete.
See Fig.25.

For information on how to dress the fuel bed and position the logs, please scan the QR code detailed on Page 12 or follow the link to our website.

For fire operating instructions please scan the QR code detailed on Page 12 or follow the link to our website.

Note: Should a defect be discovered and in the event of a Surround being permanently fixed to the wall the householder will be responsible for any costs incurred.



Maintenance

WARNING: Before any maintenance or whilst cleaning the exterior of the fireplace, the unit should be disconnected from the power supply until it has cooled down.

Cleaning the Fire

Cleaning or polishing products are not recommended. Fingerprints or other marks on the front glass panel can be removed by a piece of soft, damp, lint-free cloth with a good quality household glass cleaner. The front glass panel should always be completely dried with a clean, lint-free cloth or paper towel.

CAUTION: Abrasive cleaners should not be used on the glass panel. Liquids should not be sprayed directly onto any surface of the unit.

Troubleshooting

Should you have any queries regarding this product please contact Customer Services on 0191 4300901 (option 4) or email us at customerservices@bemodern.co.uk

Recycling

All cardboard packing is recyclable.

iQFX

Scan here for detailed installation and user instructions and guidance videos or download from <https://www.bemodern.com/diamondfireplaces/support/downloads/>



IMPORTANT NOTE:

Wall fixings (i.e. screws/wall plugs etc.) are not supplied as these are crucially dependent upon the type of wall and surface the Suite is going to be fixed too.

The installer is therefore responsible for ensuring that suitable fittings are used as well as individual fitting situations and environments. All mechanical fixings, for holding the Suite in position, must be secured to a solid wall or structure.

Where appropriate please recycle packaging responsibly.
