

# bemodern®

FIREPLACES & STOVES | BATHROOM FURNITURE

## DIAMOND

Luxury Fireplaces

### **Floor Standing Marble Suites Instructions For Assembly & Installation**

(Surround & IQFX Fire Supplied separately)

**Models Covered:**

**2089/ 4201/ 2004**


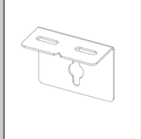
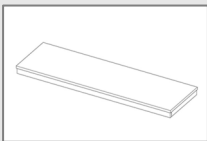
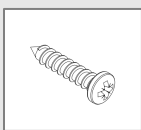
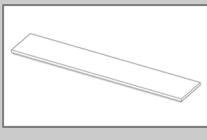
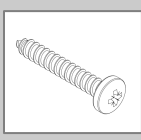
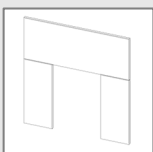
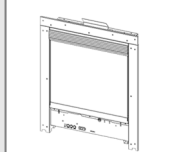
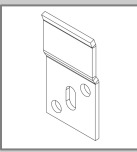
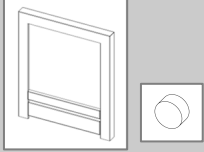
Marble Floor Standing Suites

Including

IQFX 16"

	<b>Page</b>
Parts & Fittings Supplied	2
Important Information	3
Micro Marble Fireplaces	3-4
General Installation	4
Hearth Installation	4
Main Body Wall Bracket Installation	5-6
Installing the Back Panel	6
Installing Surround Main Body	7
Aligning the Back Panel	7
Installing Surround Mantel Top	7
Installing the IQFX 16" Fire	8
Installing the IQFX 16" Trim	9
Maintenance/ Important Note	10

## Parts & Fittings Supplied.

REF	PARTS	DIAGRAM	QTY	REF	PARTS	DIAGRAM	QTY
<b>A</b>	Surround Main Body		1	<b>F</b>	Mantle Top Wall Bracket <b>Supplied with surround</b>		1
<b>B</b>	Surround Hearth		1	<b>G</b>	4mmx20mm Dome head POZI Screws <b>Supplied with surround</b>		2
<b>C</b>	Surround Mantle Top		1	<b>H</b>	5mmx30mm Dome head POZI Screws <b>Supplied with surround</b>		1
<b>D</b>	Surround Back Panel		1	<b>J</b>	IQFX 16" Fire <b>Supplied Separately.</b>		1
<b>E</b>	Wall Bracket <b>Supplied with surround</b>		2	<b>K</b>	16" Fire Trim & 5x 10mm Dia. Magnets <b>Supplied Separately.</b>		1

### Before you start

**DO NOT** dispose of the packaging until you have checked and made sure you have all the parts and fittings listed above. If not, contact: **BE MODERN - HELPLINE 0191 430 0901** who will be able to assist you with this and any other problems you may encounter.

When you are ready to start, make sure that you have the right tools to hand, plenty of space and a clean dry working area.

**NOTE:** Protect the surface you are working on to prevent any possible damage to the fire surround or floor.

### Care

To maintain the appearance of your new suite we recommend that it is dusted using a lint free cloth. **NEVER** use any form of abrasive or **DAMP** cloth.

**Tools Required (not supplied)** •Drill •Pencil •Screw Driver •Ruler •Tape Measure

**Important Information** - These instructions are for your safety. Please read them thoroughly before use and retain for future reference. Failure to follow them may result in serious or fatal injury and/or property damage.

Before you begin the installation, please ensure that a full and detailed inspection of all component parts is undertaken jointly by the installer and purchaser to ensure there is no damage or manufacturing defects with the product. Once the fireplace has been installed, no claims or responsibility will be accepted by the manufacturer relating to chips, scratches or any other obvious defects.

Please also ensure you carefully read and fully understand these instructions before commencing installation as we cannot accept responsibility for any damage or defects caused by non-compliance with these instructions.

These instructions are written in accordance with the 'Stone Federation Great Britain' guidance on fire surround standard building practice, Building Regulations (Approved Document J) and all relevant British Standards.

This fireplace should be installed only by competent professional fireplace installers and fitted only to suitable surfaces. You should check with your installer that the constructional elements of the intended chimney breast and flue comply with current Building Regulations, and that they are suitable for the appliance that is to be installed. Failure to do so may result in serious or fatal injury and/or property damage.

**NOTE:** Installation is not recommended as a DIY or single person task. In addition to this giving rise to the potentially increased risk of product damage and/or incorrect installation, it should also be noted that some marble components can be very heavy and will require two people to lift/handle. Caution should always be exercised if attempting to lift heavy or awkward objects. Always ensure the wall and floor have sufficient load bearing capabilities to allow the surround to be installed safely and securely. The foundation must be sufficient to support the entire weight of the surround.

Following the installation, please leave these instructions with the householder.

## **Micro Marble Fireplaces**

Marble is a natural product formed over millions of years by the Earth's natural evolution process. Consequently no two pieces of marble are exactly the same, and individual fireplaces may be slightly different in veining, marking and shade which gives a unique quality to each and every marble product. Veins, vents and minor pitting are to be expected within marble. These are generally accepted as industry standard and do not detract from the quality of the finished product.

Micro Marble is produced from small pieces of real marble finely crushed and bonded to produce a quality product for your home. Be Modern selects only the highest quality marble to manufacture your fireplace within our UK manufacturing facilities

Always remember to allow for expansion and contraction. The fireplace must not be installed using only mastic or other adhesives / compounds. It must be fixed with the permanent fixing brackets supplied and be secured to a solid surface. A clear or white flexible fixing medium (such as Silicone 450 or similar) can be used where necessary to bond component parts together. However, we recommend you do not use “hard setting” compounds or mastics as this is prone to heat damage from expansion and contraction over time.

Under no circumstances should grey cement, gypsum based adhesives, coloured sand or coloured bonding plasters be used to fix the fireplace components, as these materials could discolour the marble.

The correct selection and application of adhesives is essential in order to safely install this product. Only use the recommended and correct sealant or adhesive to secure / mount this product.

## General Installation

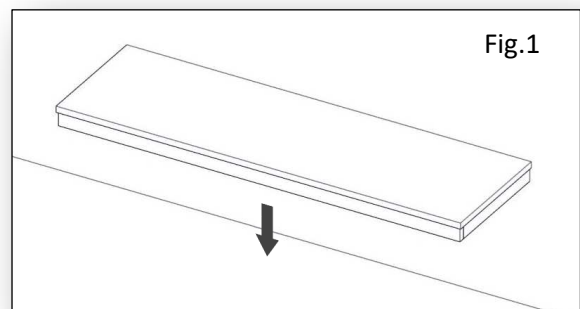
**IMPORTANT:** Before the surround can be installed, consideration will need to be given to the routing the power supply to the fire and lights if fitted. This will affect the stages of the installation process. We advise a qualified electrician conduct any electrical parts of the installation.

If fitting a model with LED lights firstly ensure that there is access to a suitable power supply in the fitting area. If a fused spur is to be fitted (recommended), this should be fitted prior to installation.

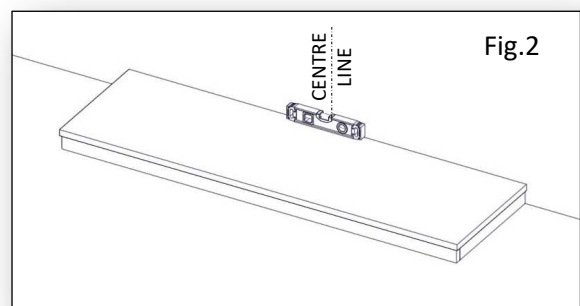
## Hearth Installation

**Note: The Hearth is a two adult person lift.**

1. Confirm the desired installation position of the Surround, ensuring that the Hearth (B) is fitted level and firmly secured centrally in the desired position on a bed of suitable mortar. **See Fig.1.**



2. Confirm the Hearth (B) is level. Then mark a centre line vertically up from the centre of the Hearth (B) 1100mm in length. **See Fig.2.**



## Main Body Wall Bracket Installation

**Note: The Main Body is a two adult person lift.**

3. Lift the Main Body (A) in to position centrally on the pre-installed Hearth (B). See Fig.3 & 4.

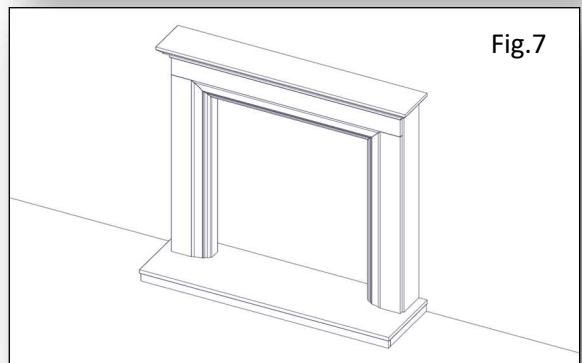
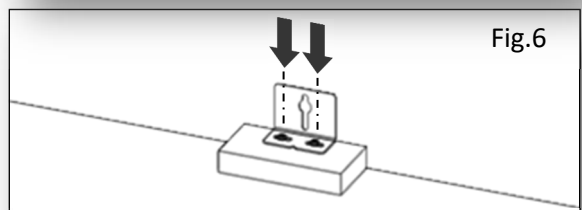
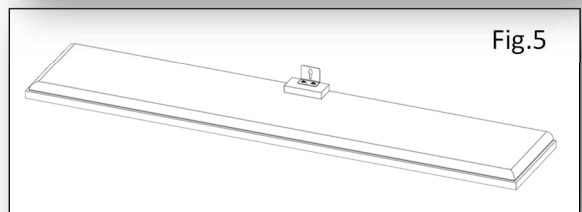
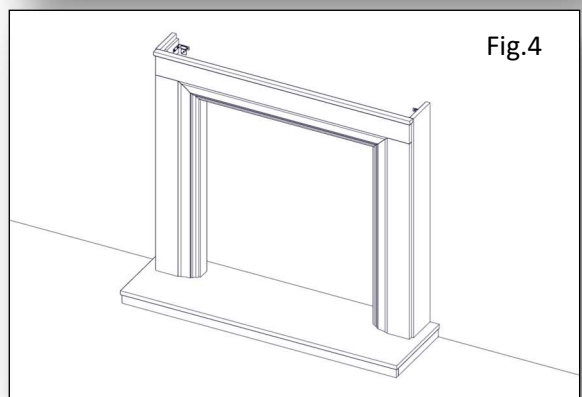
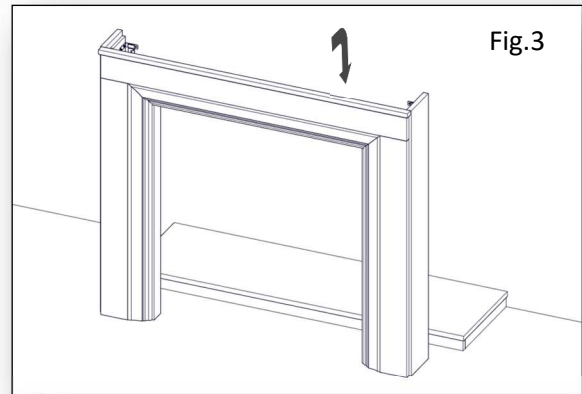
**IMPORTANT:** If a power cable is to be routed to the rear of the suite. Care must be taken not to crush or damage the cable when positioning the suite.

**IMPORTANT:** If fitting a model with LED lights firstly ensure that there is access to a suitable power supply in the fitting area. If a fused spur is to be fitted (recommended), this should be fitted prior to installation.

4. Unpack the Surround Mantel Top (C) and lay face down on a clean work area. Place the Mantel Top Wall Bracket (F) centrally on the screw block. See Fig.5.

5. Securely fix the Mantel Top Wall Bracket (F) centrally on the screw block with the supplied 2x 20mm Dome Head screws (G) See Fig.6.

6. Temporarily place the Mantel Top (C) centrally on the Surround Main Body (A), so the required fixing points on the wall can be marked in the following steps. See Fig.7.



## Main Body Wall Bracket Installation Continued....

7. With the Surround Main Body (A) and Mantel Top (C) temporarily placed in position. Mark the hole position for the Mantel Top Mount Bracket screw point. **See Fig.8 & 9.**

8. At the same time, position the 2x Wall Brackets (E) over the pre-installed L-brackets 10mm in from the MDF side blocks on the Main Body (A) and mark the hole positions. **See Fig.8 & 10.**

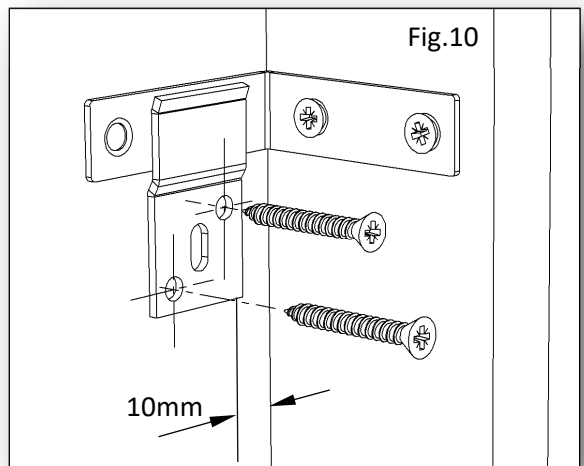
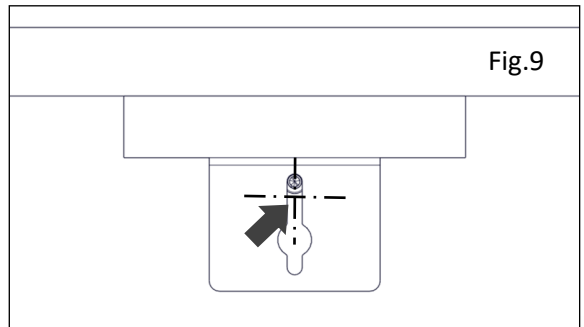
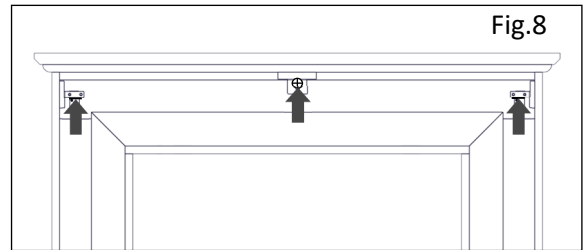
9. Remove the Mantle Top (C) and Main Body (A).

**Note: The Main Body is a two adult person lift.**

10. Drill & plug the wall using appropriate fixings. **(see 'Important Note' on page 12).**

Securely fix the Wall Brackets (E) in place. **See Fig.10.**

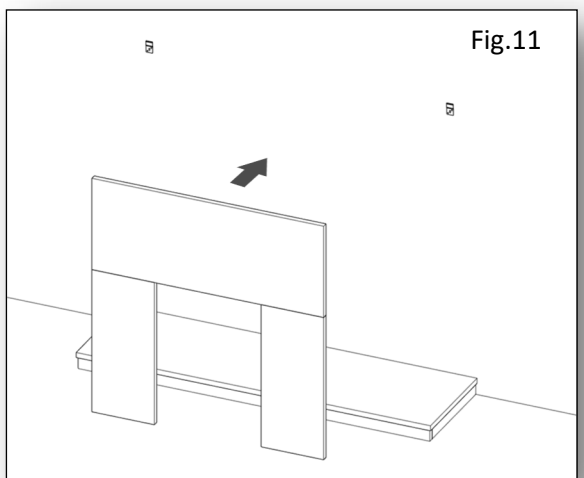
11. Fit the screw (H) 1 x 5mm x 30mm) to the wall with the head protruding out from the wall about 5mm, this is required to fit the Mantle Top (C) in a later step. **See Fig.9.**



## Installing the Back Panel

12. Lift the Surround Back Panel (D) in to place, resting temporarily against the wall. **See Fig.11.**

**Note: The Back Panel is a two adult person lift.**

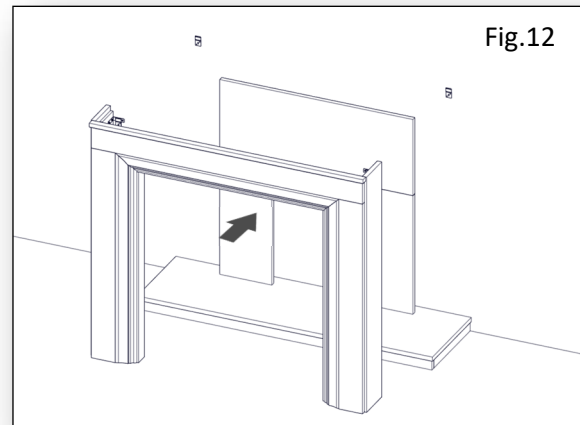


## Installing Surround Main Body

13. To fit the Main Body (A) in place. Lift the Main Body (A) and position the pre-installed L-brackets over the pre-installed Wall Brackets (E) and lower onto the Hearth (B) See Fig.12.

**Note:** Be careful not to drag or slide the Main Body (A) across the Hearth (B) as this may cause damage.

**Note:** The Main Body is a two adult person lift.

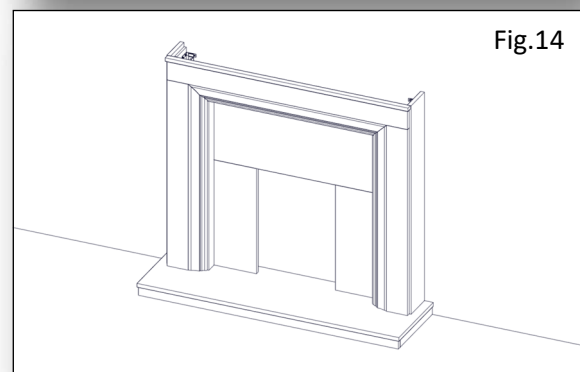
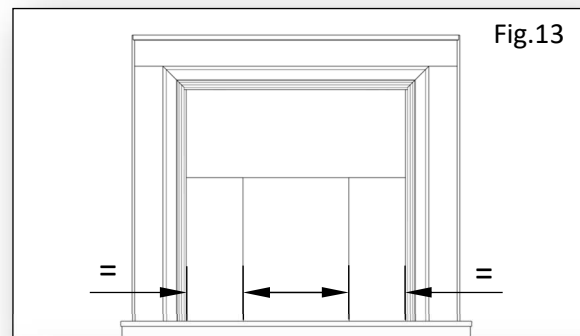


## Aligning the Back Panel

14. Align the Surround Back Panel (D) centrally in the Main Body (A). See Fig.13.

Ensure the Surround Back Panel (D) and the Main Body (A) are mated together leaving no gap. The gap between the wall and Surround Back Panel (D) will need to be packed out with a suitable material to keep the back panel in position.

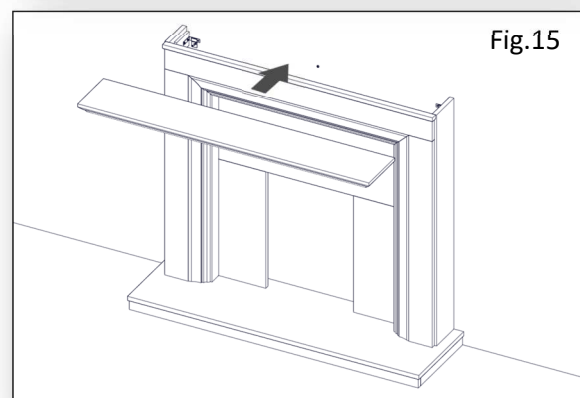
If your surround has lights they should be fitted now and checked to ensure correct operation prior to continuing (see LED Lights - Installation instructions). Once lights are fitted, double check that the interior back panel is still in the correct position. This may require removal from the wall to meet the back of the upright legs depending upon the overall rebate dimension.



## Installing Surround Mantel Top

15. To fit the Mantle Top (C) in place, lift the Mantle Top (C) centrally on to the Main Body (A).

When fitting the Mantle Top (C) it is **very important** that the Mantle Top Wall Bracket (F) locks over the pre-installed wall screw. See Fig.8,9,15.





## Installing the IQFX 16" Fire

16. Screw the back panel clamp bracket to the top of the fire using 3X -10mm Dome Head screws supplied with the fire. **See Fig.16 & 16b.**

There are three mounting positions dependent on the back panel thickness. The middle fixing points should be used for this installation. **See Fig.16,16a,16b.**

**See Fig.16,16a,16b.**

17. Due to the variation in back panel thickness, the back panel clamp bracket may need to be bent forward or backwards by hand to aid fitment.

**NOTE:** The bracket has been design to prevent the fire falling forward only and is not expected to be a tight fit.

18. To fit the fire in place. Position the rear hook bracket under the back panel at an angle (**See Fig. 17**), taking care not to trap the power cable.

**NOTE:** Care must be taken not to scratch the surround hearth at this stage of installation.

Once the fire lower rear edge has cleared the hearth, the fire can be stood up right and slowly eased back in to the back panel cut-out.

To overcome the spring effect of the clamp, light pressure may be added to the fire to allow the fire to move back into place in the back panel cut-out. When the fire is in its finished position the back panel clamp bracket will secure the fire against the back panel. **See Fig.18.**

19. In the event the fire needs to be removed. Lift the fire vertical and angle the fire out of the back panel cut-out from the bottom.

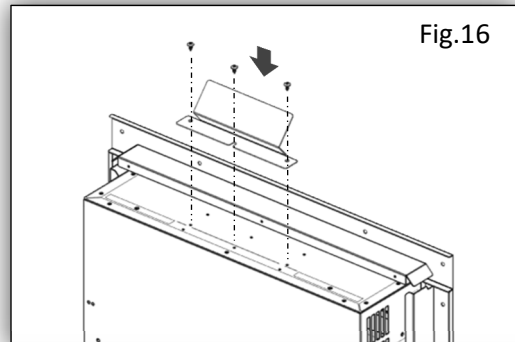


Fig.16

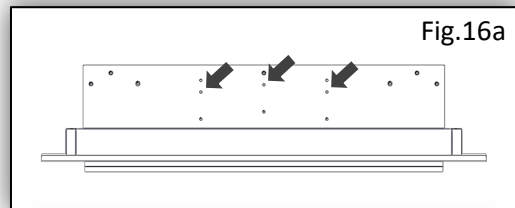


Fig.16a

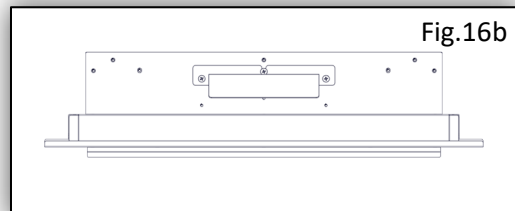


Fig.16b

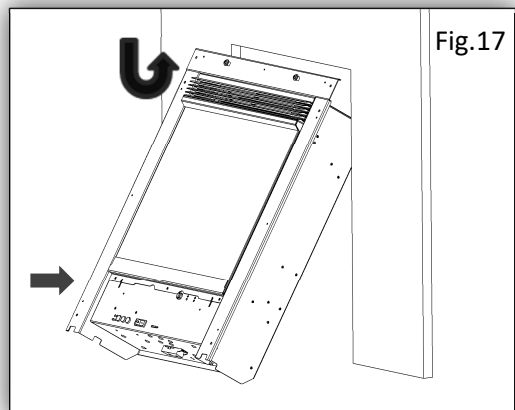


Fig.17

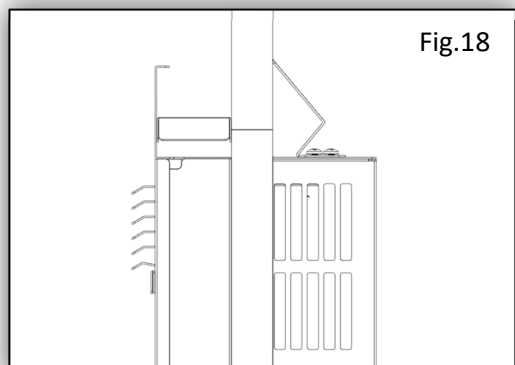


Fig.18

## Installing the IQFX 16" Trim

20. With the suite and fire securely installed in the finished position. Unpack the Fire Trim (K) which is supplied separately.

21. If applicable remove the trims protective cover.

22. Now position the 4x -10mm diameter magnets to the rear of the trim in the indicated positions.

**Fig.19.**

23. Turn the trim round to the front and drop the bottom trim louver down and place the last 10mm diameter magnets on the rear centre top of the trim louver and push back to contact the upper louver tab.

**Fig.19.**

24. Place the trim over the fire, allowing the magnets to contact the fire body, securing the trim in place.

**Fig.20.**

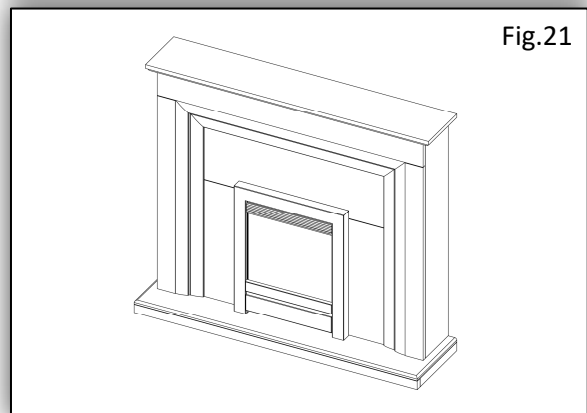
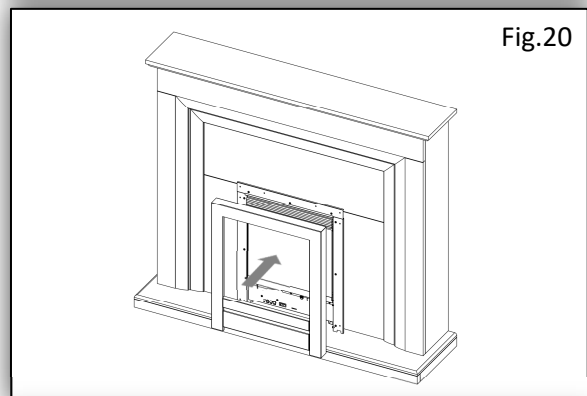
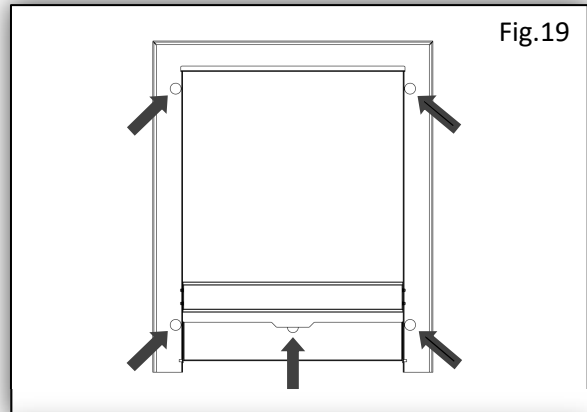
25. This completes the installation of the suite with IQFX 16" fire.

**Fig.21.**

For information on how to dress the fuel bed and position the logs, please scan the QR code detailed on Page 10 or follow the link to our website.

For fire operating instructions please scan the QR code detailed on Page 10 or follow the link to our website.

**Note:** Should a defect be discovered and in the event of a Surround being permanently fixed to the wall the householder will be responsible for any costs incurred.



---

## Maintenance

---

**WARNING:** Before any maintenance or whilst cleaning the exterior of the fireplace, the unit should be disconnected from the power supply until it has cooled down.

### Cleaning the Fire

Cleaning or polishing products are not recommended. Fingerprints or other marks on the front glass panel can be removed by a piece of soft, damp, lint-free cloth with a good quality household glass cleaner. The front glass panel should always be completely dried with a clean, lint-free cloth or paper towel.

**CAUTION:** Abrasive cleaners should not be used on the glass panel. Liquids should not be sprayed directly onto any surface of the unit.

### Troubleshooting


Should you have any queries regarding this product please contact Customer Services on 0191 4300901 (option 4) or email us at [customerservices@bemodern.co.uk](mailto:customerservices@bemodern.co.uk)

### Recycling

All cardboard packing is recyclable

# iQFX

Scan here for detailed installation and user instructions and guidance videos or download from <https://www.bemodern.com/diamondfireplaces/support/downloads/>



iQFX  
intelligent fires

#### IMPORTANT NOTE:

Wall fixings (i.e. screws/wall plugs etc.) are not supplied as these are crucially dependent upon the type of wall and surface the Suite is going to be fixed too.

The installer is therefore responsible for ensuring that suitable fittings are used as well as individual fitting situations and environments. All mechanical fixings, for holding the Suite in position, must be secured to a solid wall or structure.

**Where appropriate please recycle packaging responsibly.**

---