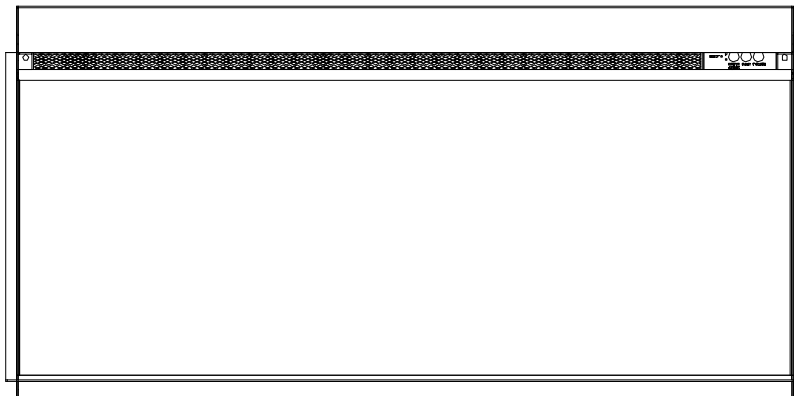


iQFX

intelligent øfires

Instructions For Installation & Operation

4406-1250-3SL, 4371-1500L-3SL, 4405-1800-3SL



Scan To Download APP



Scan To Register Warranty

Prior to installing this product locate the data label and note the model and serial number. This is required when registering your guarantee.

Model: _____

Serial Number: _____



Scan To Download Surround Installation Instructions And Installation Videos



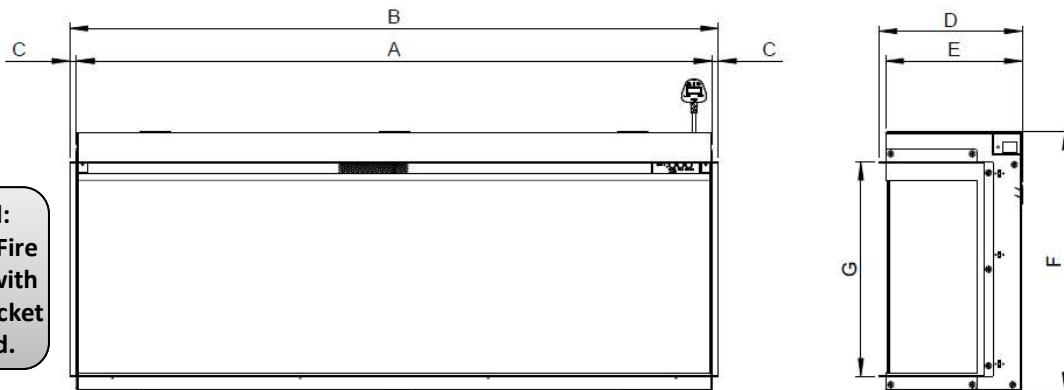
Scan To Download A Digital Copy of IQFX Fire Installation Instructions

Contents

	Page
Technical Specification	2 - 3
Important Safety Information	4 - 5
Contents of the Box(es)	6
Unpacking The Fire- IQFX 3SL	7 - 8
Preparing the Fire- IQFX 3SL	9 - 10
Installation – Stud wall- IQFX 3SL	11-12
Installing The Fire- IQFX 3SL	13
Fuel Bed Layout & Log Positioning - IQFX 3SL	14 - 15
Replacing the Glass- IQFX 3SL	16
User Instructions - Introduction	17
User Instructions - Manual Control	18
User Instructions - Remote Control	19
User Instructions - APP Control	20 - 36
Maintenance & Troubleshooting	37
General information	38
Guarantee	39
ERP Table	40

Technical Specification

Detailed:
3 Sided Fire
Set Up with
rear bracket
removed.



Fire	Dimensions (mm)						
	A	B	C	D	E	F	G
IQFX 1250 3SL-4406	1252	1278	13	282	269	515	422
IQFX 1500 3SL-4371	1502	1528	13	282	269	515	422
IQFX 1500 3SL-4371	1802	1828	13	282	269	515	422

Fire	Visible Glass Area (mm)			Boxed Weight (Kg)
	W	H	D 2/3 Sided	
IQFX 1250 3SL-4406	1195	380	189	48
IQFX 1500 3SL-4371	1445	380	189	61
IQFX 1800 3SL-4371	1795	380	189	78

Fire	No. Logs	No. Illuminated Logs	Illuminated Log No.
IQFX 1250 3SL-4406	13	6	B,D,E,G,K,M
IQFX 1500 3SL-4371	15	6	B,D,E,G,K,M
IQFX 1800 3SL-4405	17	8	B(x2),D,E,G,K(x2),M

Tolerance +/- 1mm

Note: The above image and dimensions detail the fire set up for a **3 sided** installation- adjust the dimensions accordingly for **2 sided** (B minus 13mm) and **1 sided** (B minus 26mm) installation. (Landscape (3SL) fires only). Diagram also shows rear bracket removed.

Technical Specification *Continued*.....

Model No: 4406-1250-3SL, 4371-1500L-3SL, 4405-1800-3SL

Supply Voltage: AC 230-240V 50Hz, Maximum power consumption: 1542w.

Model:	4406	4371	4405
Power for Flame Effect	12.32w	15.68w	19.04w
Power for Fuel Bed	7.68w	8.64w	10.56w
Power for Down Light	2.4w	2.88w	3.84w
Power for Mood Light	9w	9w	9w

Heat Output			
Model	4406	4371	4405
Nominal heat output (Pnom)	1500w	1500w	1500w
Minimum heat output (indicative) (Pmin)	750w	750w	750w
Maximum continuous heat output (Pmax)	1500w	1500w	1500w

Auxiliary Electricity Consumption			
Model	4406	4371	4405
At nominal heat output (elmax)	31.4w	36.2w	42.445w
At minimum heat output (elmin)	31.4w	36.2w	42.44w
In standby mode (eISB)	1.06w	1.06w	1.06w

Important Safety Information

Read all the instructions carefully before using the appliance.

For indoor use only. This appliance is not suitable for use outside the house and only suitable for well insulated spaces or occasional use.

If the fire is to be placed into an existing chimney opening and there is any risk of chimney debris falling down onto the fire or drafts from the chimney it is recommended that the flue or opening is sealed off with non-combustible non-fibrous insulation materials. Do not place into an existing fireplace that is prone to dampness. Should it be necessary to cap and seal the chimney to prevent personal injury, a professional should be hired to do the work.

Do not use this appliance in the immediate surroundings of a bath, a shower or a swimming pool.

Do not use this fire as a free-standing appliance. It must always be fixed to the wall, fireplace mantel, floor etc.

This fire must not be located immediately below a socket-outlet.

This appliance must be earthed.

This appliance must not be supplied through an external switching device, such as a timer, or connected to a circuit which is regularly switched on and off by utility to avoid a hazard due to the inadvertent resetting of the thermal cut out.

A non-rewireable plug fitted with a 13A fuse is supplied. Should the fuse or plug need replacing, and you are competent to do so, it must be replaced with a 13A fuse or plug being 13A BS1363A approved.

If the power cord is damaged, it must be repaired by the manufacturer, its authorised service centre or professional person.

The meaning of this symbol  is **DO NOT COVER**

Warning: in order to avoid overheating, do not allow the appliance to be covered or let the air inlet/outlet become obstructed.

To reduce the risk of fire, keep textiles, curtains, or any other flammable material a minimum distance of 1 meter from the air outlet.

Keep the power cord away from hot surfaces and hot conditions. Do not route the power lead in front of the appliance.

Do not use this fire in rooms that have explosive fumes in them (for example petrol), or if you are using solvents, glue, aerosol spray or in flammable paints, as these may catch fire.

This appliance can be used by children aged from 8 years and above and persons with reduced physical, sensory or mental capabilities or lack of experience and knowledge if they have been given supervision or instruction concerning use of the appliance in a safe way and understand the hazards involved.

Children and vulnerable people must be supervised at all times when using this appliance, as some parts can become very hot and cause burns.

Do not use this appliance in small rooms when they are occupied by persons not capable of leaving the room on their own, unless constant supervision is provided.

Important Safety Information *Continued.....*

Cleaning and user maintenance shall not be made by children without supervision.

Children aged from 3 years, and less than 8 years only can switch on / off the appliance provided that it has been placed or installed in its intended normal operating position and instructions and supervisions concerning the safe way of the use of the appliance are offered. Children aged from 3 years, and less than 8 years shall not plug in, regulate and clean the appliance or perform user maintenance.

This appliance shall not be played with by children.

Children of less than 3 years should be kept away unless continuously supervised.

Keep the power plug accessible after installation.

Manual Handling

BEFORE STARTING THE INSTALLATION OF THIS FIRE, PLEASE READ THE FOLLOWING:

CAUTION: This appliance is heavy. Always seek assistance whilst unpacking and/or during installation.

The installation should be carried out by **two adults** to avoid injury or damage. If for any reason it is considered too heavy, please obtain assistance.

Always use the handles on the rear of fire where possible.

When lifting the electric appliance, always keep your back straight. Bend your legs and not your back. Avoid twisting at the waist. It is better to reposition your feet.

Avoid upper body / top heavy bending. Always bend from the knees rather than the waist. Do not lean forward or sideways while handling the fire.

Always ensure you have a firm grip of the fire before lifting.

Always keep the fire as close to the body as possible. This will minimize the cantilever action.

Use gloves to provide additional grip.

Contents of the box(es)

Box-(4406-1250-3SL)

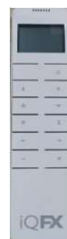
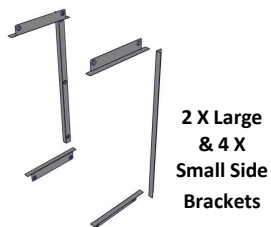
Quantity	Description	Quantity	Description
1	IQFX 1250-3SL- Electric Fire Engine	1	Fire Remote Control & 2 AAA Batteries
13	Logs (6 x Illuminated)	4	Short Side Brackets
4	Bag of Crystallized Pebbles	2	Long Side Brackets
4	Bag of Smoked Crystals	1	1.8M IEC Power Cable with Molded Plug
2	Bags of Bark	1	Logs LED Light Assembly= 6 LED Light Strips

Box-(4371-1500-3SL)

Quantity	Description	Quantity	Description
1	IQFX 1500-3SL- Electric Fire Engine	1	Fire Remote Control & 2 AAA Batteries
15	Logs (6 x Illuminated)	4	Short Side Brackets
4	Bag of Crystallized Pebbles	2	Long Side Brackets
4	Bag of Smoked Crystals	1	1.8M IEC Power Cable with Molded Plug
2	Bags of Bark	1	Logs LED Light Assembly= 6 LED Light Strips

Box-(4405-1800-3SL)

Quantity	Description	Quantity	Description
1	IQFX 1800-3SL- Electric Fire Engine	1	Fire Remote Control & 2 AAA Batteries
17	Logs (8 x Illuminated)	4	Short Side Brackets
5	Bag of Crystallized Pebbles	2	Long Side Brackets
5	Bag of Smoked Crystals	1	1.8M IEC Power Cable with Molded Plug
2	Bags of Bark	1	Logs LED Light Assembly = 8 LED Light Strips



Box- 050199- Sold Separately

LED Light Set- 830mm Fly Lead plus 3m LED Lights can be purchased separately.

Note: Compatible LED Light Set are available from **Bemodern Ltd.** Other makes may not be suitable and will void the warranty.

Please ensure all fixings are present before commencing installation. If anything is missing, please call Customer Services on 01914300901 or email us at customerservices@bemodern.co.uk

Unpacking The Fire- IQFX 3SL

Note: The fire is a two adult person lift. A second person will be required to lift and support the fire during installation.

Before the fire can be installed, consideration will need to be given to routing the power supply to the fire. This will affect the stages of the installation process. We advise a qualified electrician conduct any electrical parts of the installation.

Note: An accessible single socket is required for the operation of the fire.

Unpack your new fire- **DO NOT** dispose of the packaging until you have checked and made sure all the parts and fixings listed on **Page 6** are present.

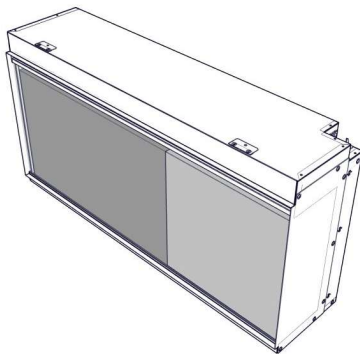


Diagram 1

Once the fire is unpacked the **Cardboard Boxes** inside the fire need to be removed and the contents checked, as listed on **Page 6**.

See Diagram 1.

Note: The fire is a two adult person lift.

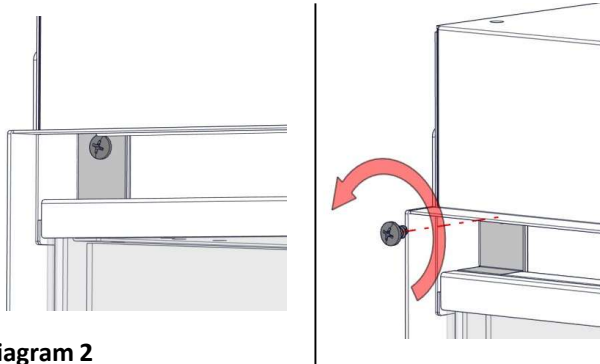


Diagram 2

To do this, unscrew the **2 X Screws** holding the **Glass Bracket** in place.

See Diagram 2.

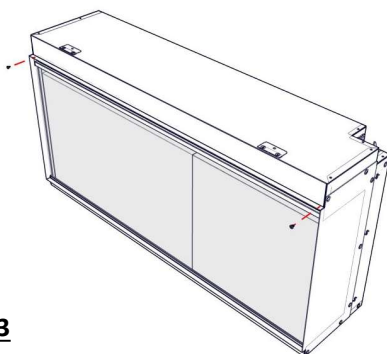


Diagram 3

There is **1 X Screw** either side of the fire.

See Diagram 3.

Please ensure all fixings are present before commencing installation. If anything is missing please call Customer Services on 01914300901 or email us at customerservices@bemodern.co.uk

Unpacking The Fire IQFX 3SL *Continued....*

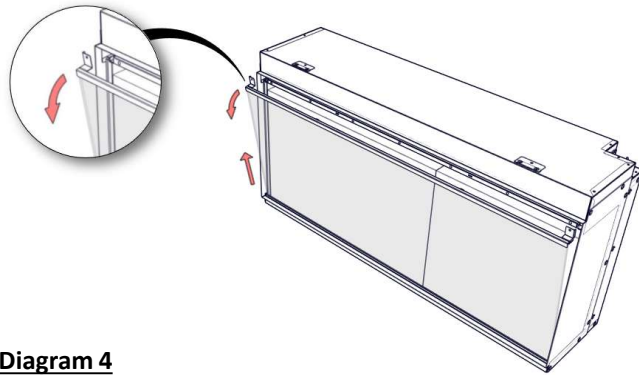


Diagram 4

Once the screws are removed- the **Glass** and **Glass Bracket** can be angled forward from the top of the fire and lifted out of the channel at the base of the glass.

Note: Place the Glass, Glass Bracket and 2 X Screws in a safe place- these will be required later.

See Diagram 4.

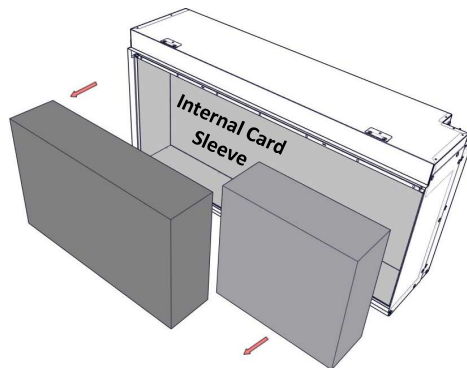


Diagram 5

Remove the **Cardboard Boxes** from inside the fire and depending on the model purchased, check the contents as listed on **Page 6 & 7**.

Tip- Leave the protective internal card sleeve in place. This will help keep the internal of the fire clean during installation.

See Diagram 5.

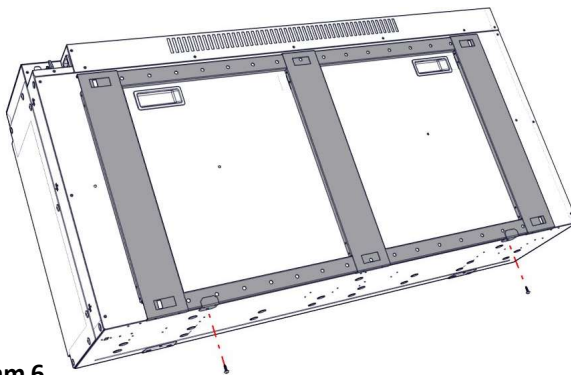


Diagram 6

For installation into a **floor to ceiling stud wall**, the **Rear Mounting Bracket** must be first removed from the fire.

With the fire positioned on the floor lean the fire forward and remove the **2 X Screws** holding the bracket in place.

See Diagram 6.

Note: For other methods of installation, the Rear Fixing Bracket maybe required to fix the fire to the wall. Please ensure that suitable fixings are used dependent on the wall medium.

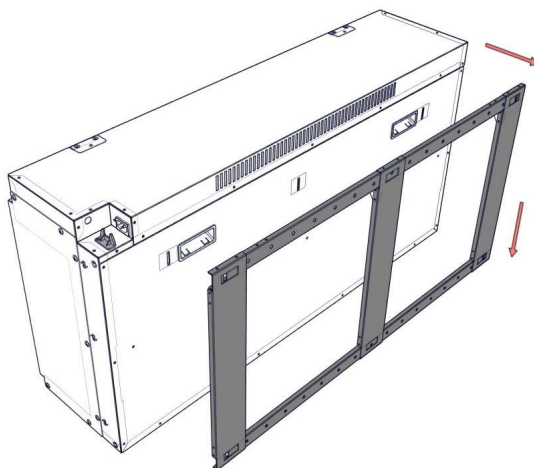


Diagram 7

Once the screws are removed- lower the bracket and lift the bracket away from the rear of the fire.

The bracket and screws are no longer required, please discard.

See Diagram 7.

Preparing the Fire IQFX 3SL

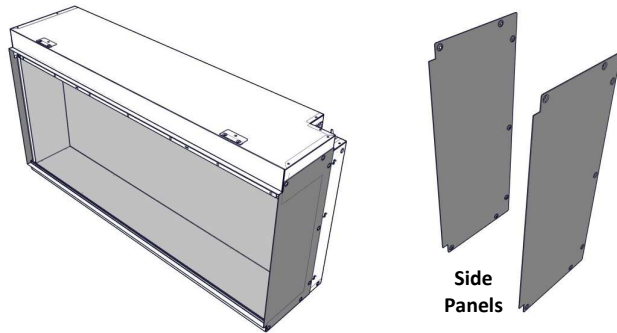


Diagram 8

1 Sided (Fully Recessed) Installation

The fire comes out the box, already set up for **1 sided** installation.

The 2 X **Side Panels** will be **fixed** to the fire.

See Diagram 8

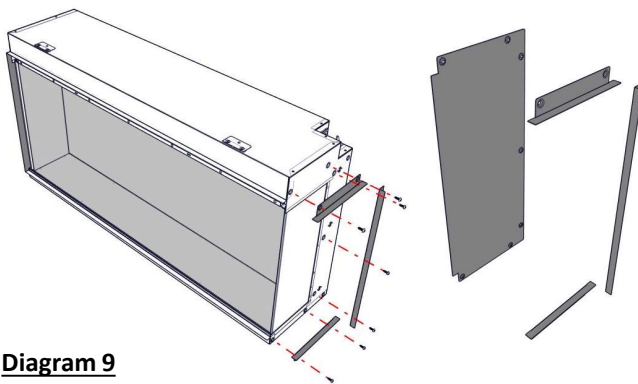


Diagram 9

2-Sided Installation- Right Hand

Leaving the left-hand side panel **fixed**.
Remove the **7 or 8 X Screws** and the **right-hand** side panel from the fire.

Locate the **2 X Small Side Brackets** and **1 X Large Side Bracket** and fix in place using the previously removed **7 or 8 X Screws**.

See Diagram 9

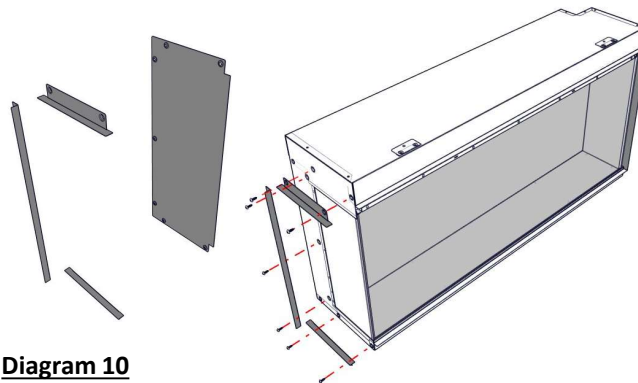


Diagram 10

2-Sided Installation- Left Hand

Leaving the right-hand side panel **fixed**.
Remove the **7 or 8 X Screws** and the **left-hand** side panel from the fire.

Locate the **2 X Small Side Brackets** and **1 X Large Side Bracket** and fix in place using the previously removed **7 or 8 X Screws**.

See Diagram 10

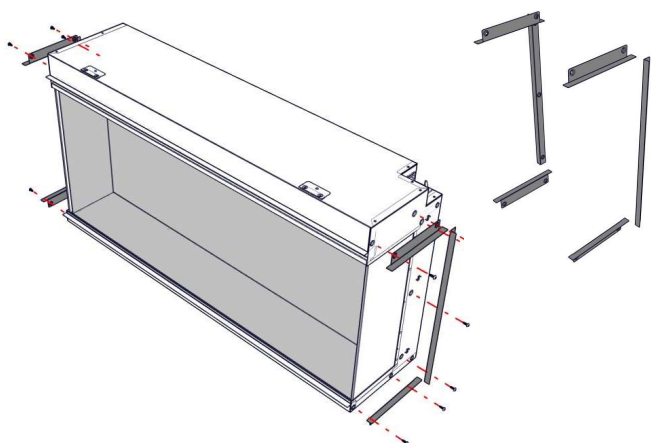


Diagram 11

3-Sided Installation

Remove the **14 or 16 X Screws** and the **left-hand** and **right-hand** side panels from the fire.

Locate the **4 X Small Side Brackets** and **2 X Large Side Brackets** and fix in place using the previously removed **14 or 16 X Screws**.

See Diagram 11

Preparing The Fire IQFX 3SL *Continued*.....

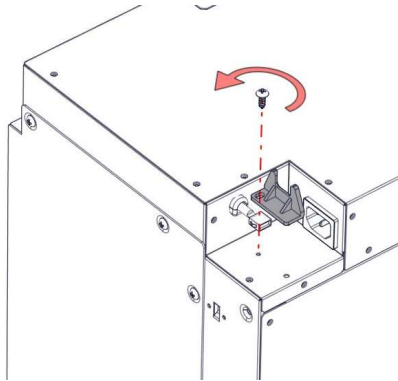


Diagram 12

Before fitting the fire ensure the power cable is installed.

Remove the **1 X Screw** holding the power cable **fixing clip** in place.

See **Diagram 12**

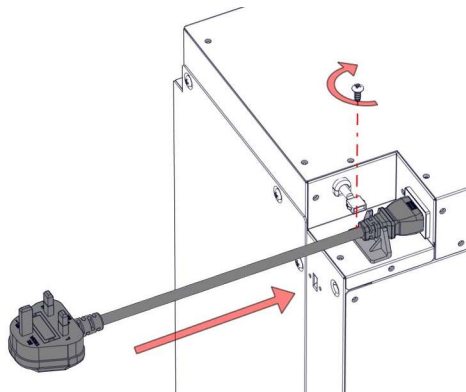


Diagram 13

Once removed place the cable clip under **IEC** end of the power cable - insert the **IEC** into the connector port on the fire.

Finally screw the cable clip back in place.

See **Diagram 13**

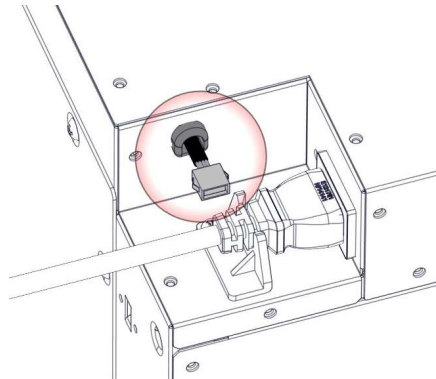


Diagram 14

If installing the **Optional LED Light Set**, familiarise yourself with where the LED Light Set connects into the fire. These must be connected prior to installing the fire.

See **Diagram 14**

830mm Fly Lead plus 3m LED lights are provided in a set.

Note: A compatible **LED Light Set** is available from **Bemodern Ltd. (Code: 050199)**. Other makes may not be suitable and will void the warranty.

NOTE: When the LED Light Set is fitted, they should be checked for operation before the access is closed off by the installation. It is advisable to have an access panel in the installation should you need to access the LED Light Set connection after the installation.

Installation IQFX 3SL - Stud wall

Once the fire has been prepared, use the following opening dimensions to construct the stud wall which the fire will be housed in.

The stud wall must include a **header** as specified in the following diagrams. This is to ensure that the weight of the finished wall is not resting on top of the fire. The base of the opening/stud work must also be able to take the full weight of the appliance.

The fire should be positioned on a firm level surface and in a clean 'dust free' environment. If fitted into an open chimney, the chimney must be blocked off to reduce the risk of draught and damp through the fire, which may cause the safety cut out system in the fan heater to operate.

Note: Any protruding headers MUST be made of a non-combustible material.

To install into a stud wall the mounting bracket must be removed from the rear of the fire as previously shown in **Diagram 6 and 7, Page 8.**

Once the stud wall has been constructed and secured to the wall and the fire is in its final position, ensure that the power cable has been installed- **See diagrams 12 and 13, Page 10** and there is power to the fire before any cladding / plasterboard is installed.

Ensure the design of the stud wall allows for the plug or fuse spur to be easily accessible.

Note: The following diagrams are examples of how the stud wall could be constructed- Please adjust to your bespoke design, ensuring the 'required opening sizes' detailed in the following tables are adhered to. This will ensure the minimum clearances are maintained during installation.

1 Sided (Fully Recessed) Installation

REQUIRED OPENING DIMENSIONS (mm)			
FIRE	W	H	D
1250 3SL	1253	525	280
1500 3SL	1503	525	280
1800 3SL	1803	525	280

Note: Ensure there is a minimum 10mm clearance between the fire and the wall behind.

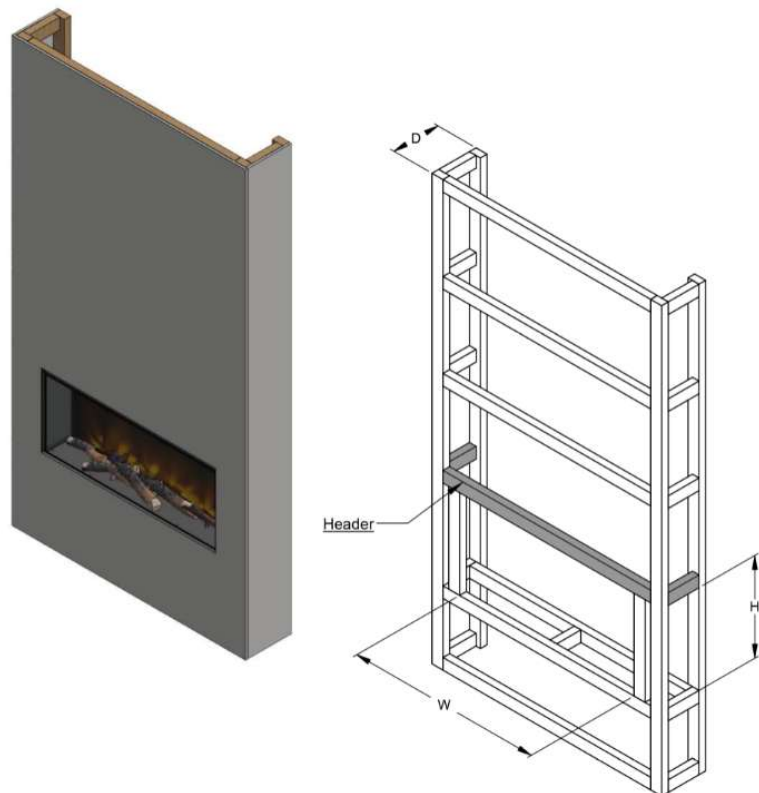


Diagram 15

Installation IQFX 3SL - Stud wall *continued....*

2 Sided Installation

REQUIRED OPENING DIMENSIONS (mm)			
FIRE	W	H	D
1250 3SL	1253	525	271*
1500 3SL	1503	525	271*
1800 3SL	1803	525	271*

* + TT- Timber Thickness

Note: Ensure there is a minimum 10mm clearance between the fire and the wall behind.

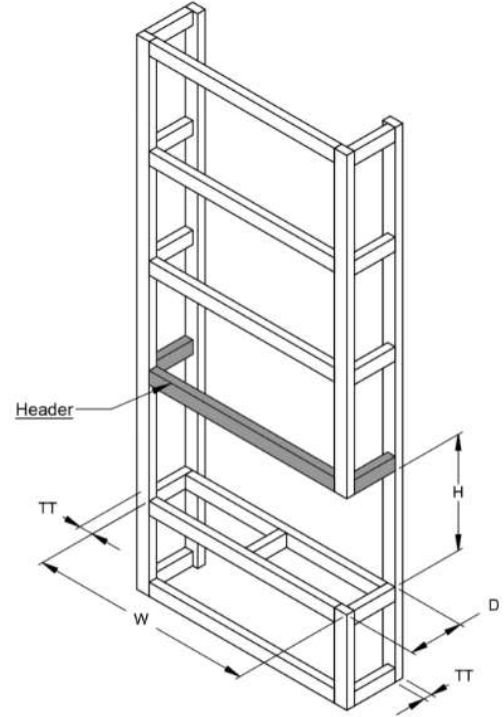


Diagram 16

3 Sided Installation

REQUIRED OPENING DIMENSIONS (mm)			
FIRE	W	H	D
1250 3SL	1253	525	271*
1500 3SL	1503	525	271*
1800 3SL	1803	525	271*

* + TT- Timber Thickness

Note: Ensure there is a minimum 10mm clearance between the fire and the wall behind.

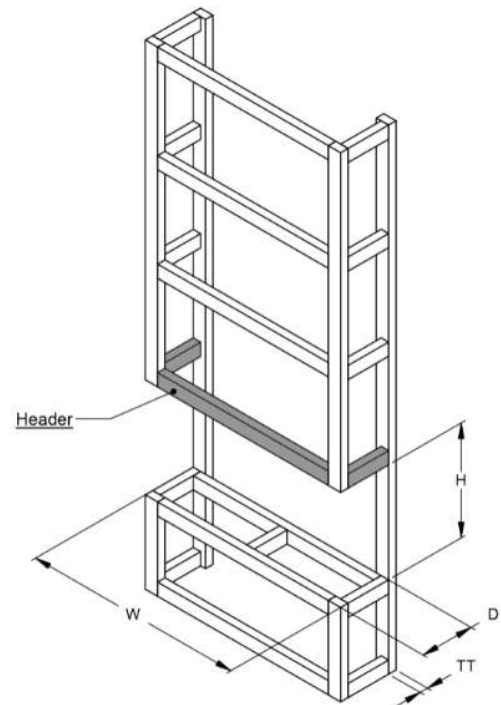
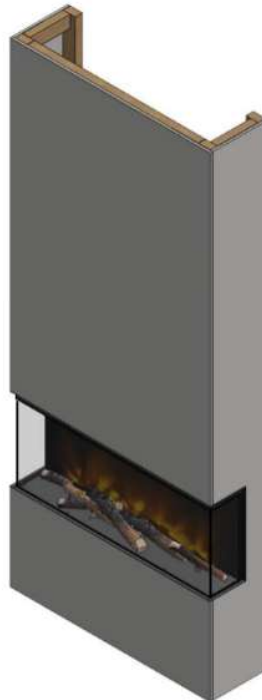


Diagram 17

Installing The Fire- IQFX 3SL

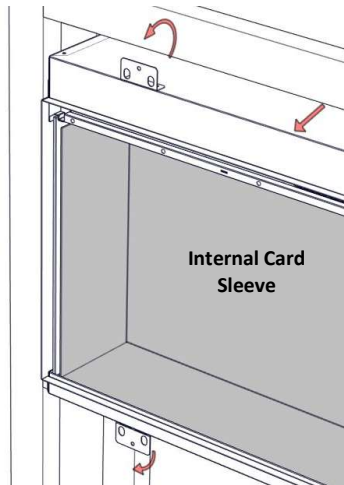


Diagram 18

Note: The fire is a two adult person lift

Lift the fire into the stud wall opening- leaving approx. **50mm** of the fire protruding to the front.

Unfolded the **fixing brackets** at the top and bottom of the fire.

See **Diagram 18**

Tip: Leave the protective internal card sleeve in place. This will help the keep the internal of the fire clean during the plastering/finishing stage of installation.

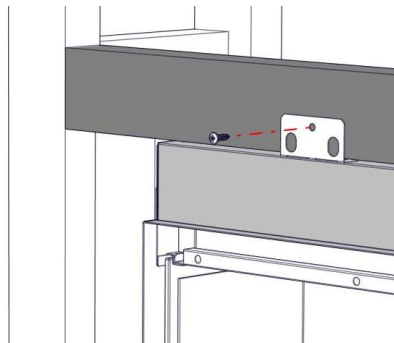


Diagram 19

Once the brackets are unfolded push the fire into position, ensuring the face of the fire is flush with the face of the stud wall.

If the faces are not flush- there is adjustment on the top and bottom fixing brackets. Adjust accordingly.

Note: The brackets will sit proud of the finished surface.

Once in place screw through the holes in the **fixing brackets**- securing the fire to the stud wall. **Note: These screws are not provided.**

See **Diagram 19**

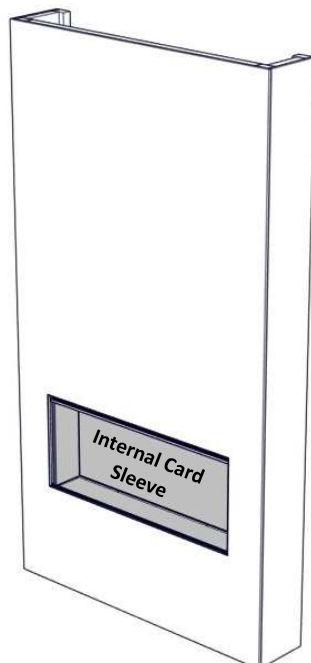


Diagram 20

Note: Before proceeding further ensure there is power to the fire, and it is operating correctly.

Note: If the optional Led Light Kit has been purchased ensure this has been connected to the relevant port on the fire-before cladding / plasterboard is installed See Diagram 14- Page 10.

Note: Ensure the plug / fuse spur and optional LED Light Set can be fully accessible once the cladding / plasterboard is installed.

Once the above has been checked- Clad / plasterboard, skim and finish the stud wall and remove the internal card sleeve and discard.

See **Diagram 20**

Tip: Position the sealed edge of the plasterboard against the fire brackets protruding from the fire., This will help maintain a clean/sharp edge.

The fuel bed can now be dressed and the logs positioned.

See **Diagram 22 25- Page 14-15.**

Fuel Bed Layout & Log Positioning- IQFX 3SL

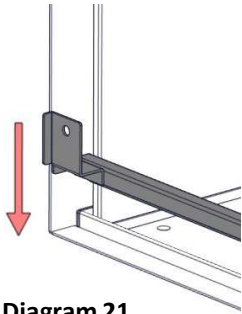
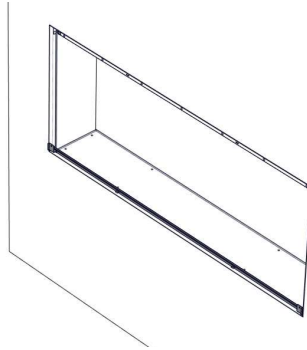


Diagram 21



Tip: Before dressing the fuel bed- position the previously removed glass bracket in the channel in the base of the fire, this will help to stop the smaller fuel bed material falling into the channel during installation.

See Diagram 21

The dressing of the fuel bed can be **fully tailored** to the customers **individual tastes**. Enough of each fuel bed finishing material has been provided to cover the fuel bed in a **single type** of material.

Fuel Bed Dressing- As a starting point follow the example below:

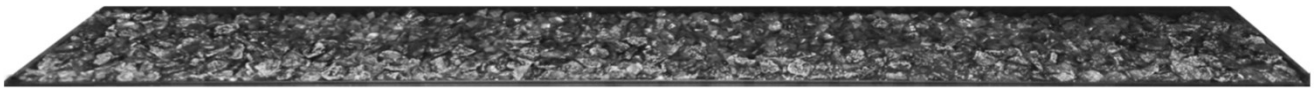


Diagram 22- Place the **Crystallised Pebbles / Smoked Crystals** over the fuel bed, enough material has been provided to cover the fuel bed.

Positioning the logs- As a starting point follow the example below:



Diagram 23- Above shows an example of the **13X** log set up for the **IQFX 1250 3SL** .



Diagram 24- Above shows an example of the **15 X** log set up for the **IQFX 1500 3SL** .

Log Positioning- IQFX 3SL



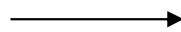
Diagram 25- Above shows an example of the **17 X** log set up for the **IQFX 1800 3SL** .

Note: Locate the 'Log LED Light Assembly' envelope and insert the LED lights into logs with holes in the bottom. The illuminated logs then need to be connected to the connection points in the fuel bed and fly-leads positioned accordingly so they are hidden out of sight.

If you are having difficulty distinguishing the logs between one another, further guidance can be found on our website: <https://www.bemodern.com/diamondfireplaces/support/downloads/>



iQFX eFIRE INSTRUCTIONS



HOW-TO-VIDEOS

or

by scanning the IQFX QR code on the front page of the instructions and navigating to the 'how to' video folder.

Replacing The Glass- IQFX 3SL

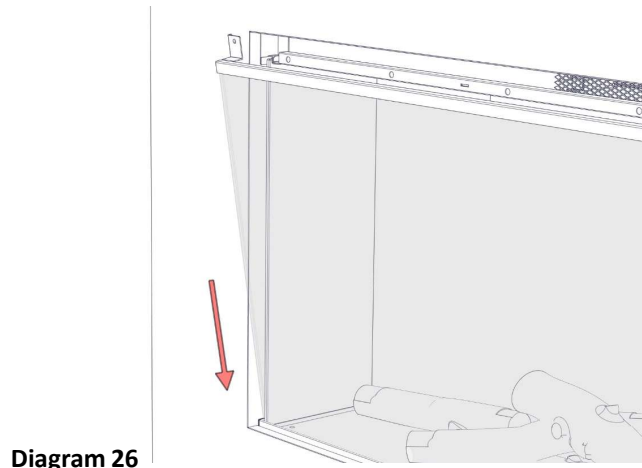


Diagram 26

Finally, the **Glass** and **Glass Bracket** can be refitted, using the previously removed **2 X Screws**.

Tip- Check the channel in the base of the fire is free of any fuel bed material before proceeding further.

Centralize the **Glass Bracket** on top of the **Glass**.

Tip- Ensure the rear of the glass is clean before fixing in place.

With the cleaned **Glass** and **Glass Bracket** angled forward slightly, position in the channel in the base of the fire.

See Diagram 26

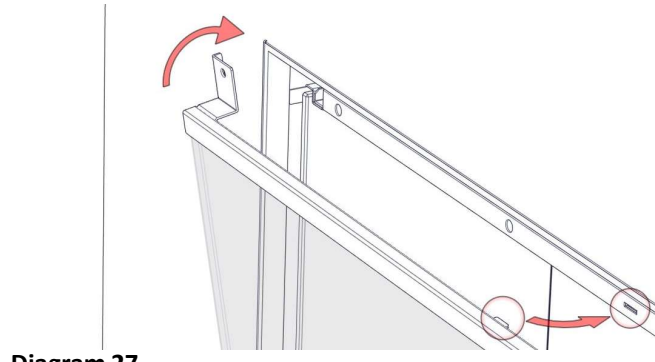


Diagram 27

Carefully push the **Glass** and **Glass Bracket** back towards the installed fire ensuring the **tabs** on the Glass Bracket align with the **cut outs** on the fire and that the **holes** on the Glass Bracket align with the **holes** on the fire.

See Diagram 27

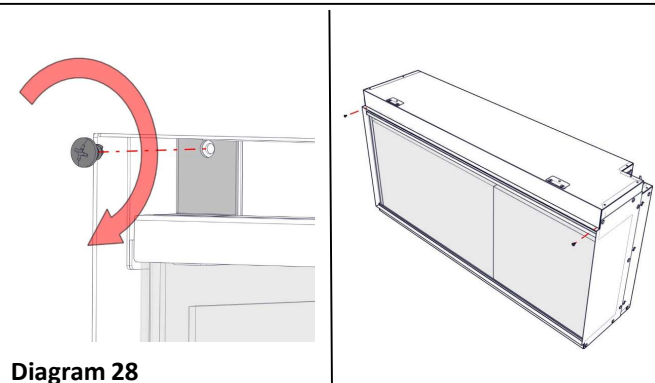


Diagram 28

Once in the correct position secure with the **2 X Screws**. **1 X Screw** either side of the fire.

See Diagram 28

The installation is now complete.

For manual and remote operating instructions See pages 17-19.

For APP operating instruction See pages 20-37.

User Instructions - Introduction

WARNING! Do not operate the appliance if it is damaged or has malfunctioned. If you suspect the appliance is damaged or has malfunctioned call a qualified service engineer to inspect the appliance, and replace any part of the electrical system, if necessary, before reuse.

WARNING! To reduce the risk of fire, keep textiles, curtains, or any other flammable material a minimum distance of 1 meter from the air outlet.

MAKE SURE the plug fits tight in the outlet. Faulty wall outlet connections or loose plugs can cause the appliance to overheat.

Do not disconnect the power at the mains supply whilst the appliance is running. Use the functions on the remote to turn the fire off and ensure the mains switch has been moved to the off position before disconnecting.

PREPARATION FOR USE

This appliance can be operated by manual control, remote control or APP. NOTE: To use the appliance the main power switch must be in the 'ON' position.

Batteries

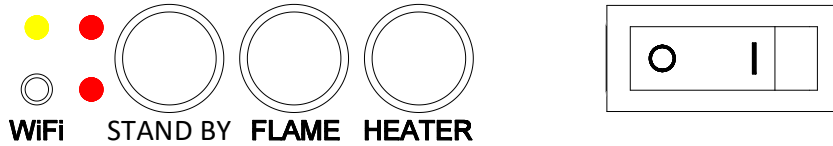
Ensure that the handset batteries are new and inserted correctly.

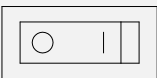




Main Power Switch

This needs to be switched ON before operating the appliance.
A long beep will be heard to indicate the fire is ready for use.

User Instructions – Manual Control

NOTE: The manual buttons control basic functions, not a full range of controls. Use the remote handset or APP to carry out all functions.



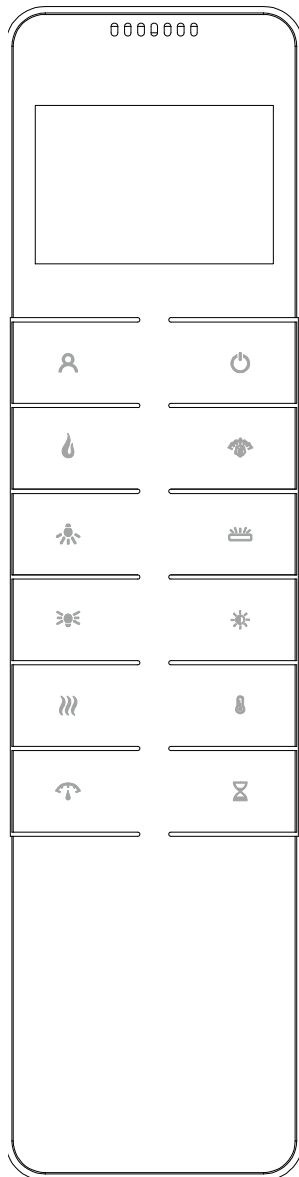
BUTTON	FUNCTION	ACTION & INDICATION
	ON (I): Turns on the standby mode. Enables all the functions and remote-control operation. OFF (O): Turns off all the fireplace functions and disables the remote control.	Turn the main power switch on. A long “beep” will be heard when the switch is turned ON Position “I”.
 STAND BY	It is used to turn ON / OFF the fire functions.	When the button is pressed a “Beep” will be heard and the flame effect, fuel bed will be illuminated.
 FLAME	Cycles through 5 levels of Flame settings Keep pressing for 3 seconds to turn off the “beep” sound for buttons and remote control.	Cycle through 5 levels of flame settings.
 HEATER	Press to cycle from Low – High – Off.	The heater will be cycled from Low – High – Heater Off. The indicator light will illuminate when the heater is turned on. The indicator light will go out within 10s.
 Wi-Fi	Press and hold this button to enter the Wi-Fi mode. Press the button again and the Wi-Fi mode is turned off.	The Wi-Fi indicator is illuminated when Wi-Fi is on, the indicator is off when Wi-Fi mode is turned off.
Wi-Fi Indicator Lamp	To show if the Wi-Fi is switched on or off	The Wi-Fi indicator is often bright (orange) or if no connection the indicator is flashing
Heating Indicator Lamp	To show the heater is activated	This light will stay illuminated if the flame effect, fuel bed etc are not in operation when the heater is turned on.

The max transmit power of WIFI 2.4GHz is100mW;

The max transmit power of WIFI 433MHz is10mW

The ambient temperature of the heater is -20°C-60°C

User Instructions – Remote Control



ICON	TITLE	FUNCTION
	Stand by	The Stand by button will turn the fireplace ON / OFF. This button will turn ON / OFF all the functions at once and will store the settings.
	My Flame	Press the button to turn on the flame effect, amber light and log illumination .Hold the button for 3 seconds to memorise the current setting of the flame setting, light, brightness and flame speed.
	Flame	Press the button to enter the Flame effect adjustment screen, press the button to cycle through 5 settings(1,2,3,4,OFF) .
	Log Illumination	Press the button to enter the Illuminated logs setting, press the button to turn on or off the illuminated logs.
	Downlights	Press the button to enter the Downlight adjustment screen. Press the button to cycle through the 8 colour settings. Selecting setting 9 will cycle the 8 colours, setting 10 is to turn off the downlights
	FUEL BED	Press the button to enter the Fuel Bed adjustment screen. Press the button to cycle through the 8 colour settings. Selecting setting 9 will cycle the 8 colours, setting 10 is to turn off the fuel bed.
	HEATING	Press the button, and the heater will cycle the heat setting: LOW-HIGH-OFF-AUTO.
	TIMER	Press the button to set the desired time for the fireplace to run. The Timer can be set 0.5H, 1.0H, and then each hour up to 10.0H.
	TEMPERATURE	Press the button to adjust the temperature : 5-40°C(41-99°F). The temperature can be switched between °C and °F.
	FLAME SPEED	Press the button to enter the FLAME SPEED setting. The flame speed has 3 settings to choose from.
	BRIGHTNESS	Press the button to enter the BRIGHTNESS setting. There are 5 brightness levels to choose from.
	MOOD LIGHTING	Press the button to enter the Mood Lightning setting. Press the button to cycle through the 13 colours, setting 14 will cycle automatically through the 13 colours, setting 15 will switch the lights off.

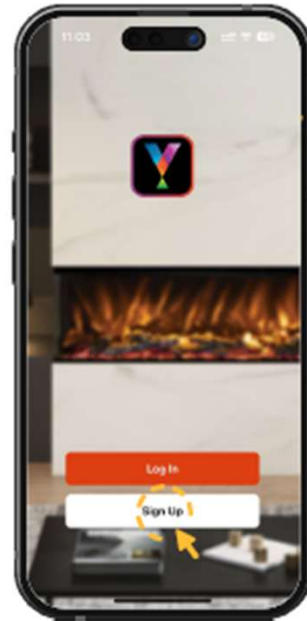
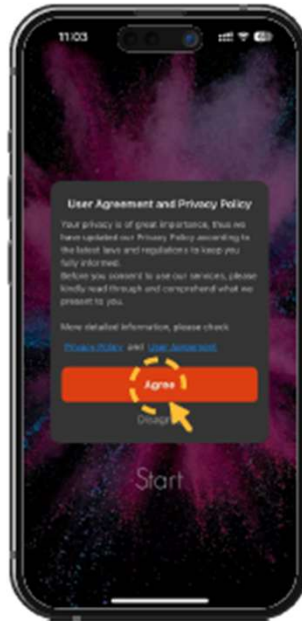
User Instructions - APP Control

Download the APP and Register an account

1. Download "My PRYZM" APP

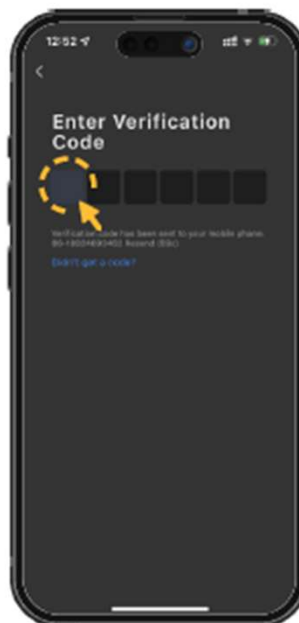
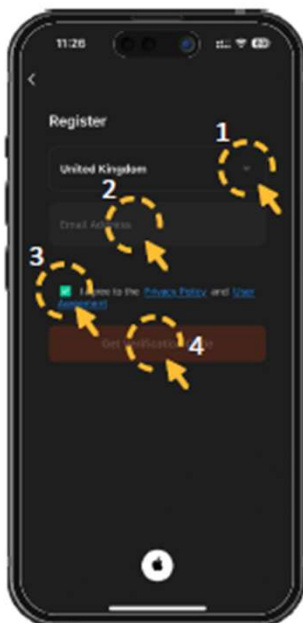
2. Press Agree

3. Press Signup



4. Enter a valid Email address to get verification code.

5. Enter the verification code.



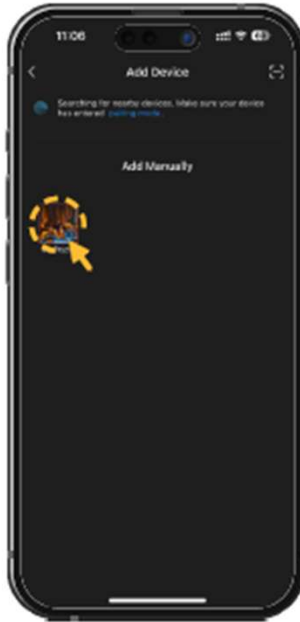
User Instructions - APP Control

Add a device

1. Press Add Device



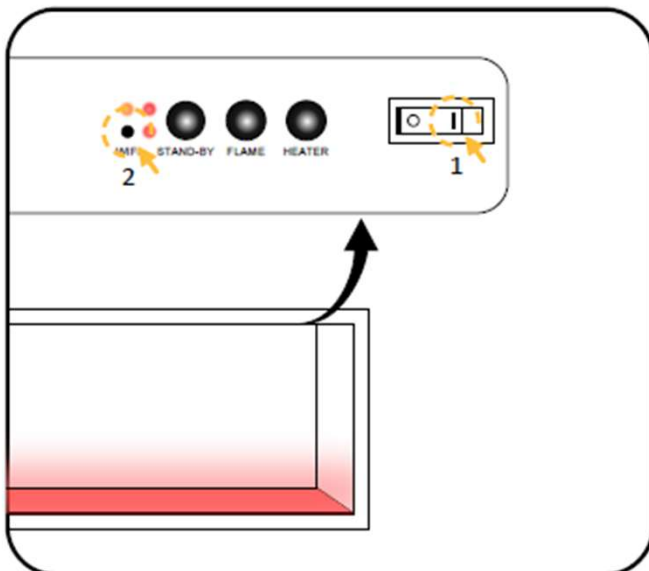
2. Press "My Pryzm"



3. Turn on Bluetooth button, select Bluetooth mode



4. Turn on the appliance, press and hold the Wi-Fi button until you hear **3 beeps**. The Wi-Fi indicator will start to flash quickly.



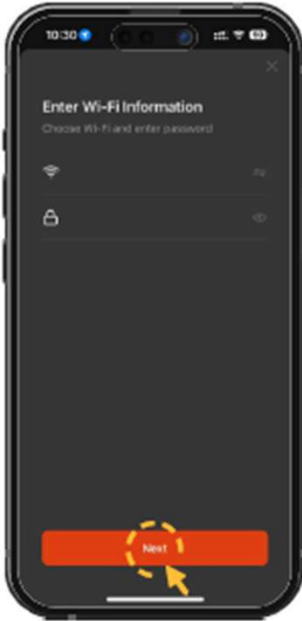
5. Confirm the indicator is flashing and press "Next".



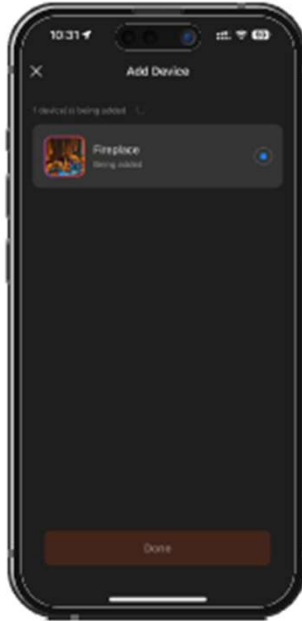
User Instructions - APP Control *Continued*....

Add a device - continued

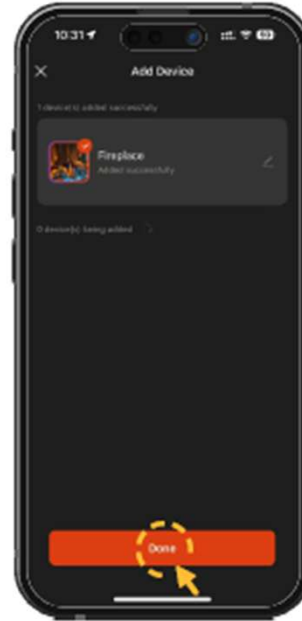
6. Select Wi-Fi and enter the password. Press Next



7. Start to add device



8. Once successfully added the fuel bed will illuminate green. Press Done to complete pairing

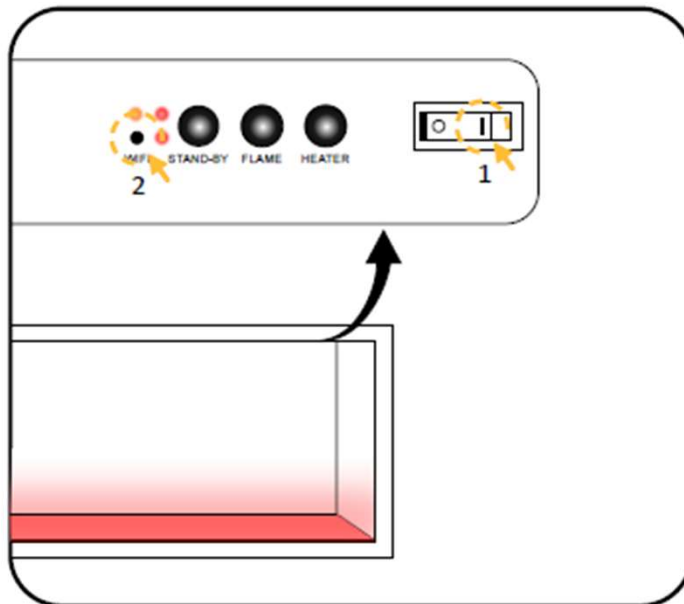


NOTE: Make sure your router is using a 2.4 GHz channel. The distance between the router and the fireplace is not less than 50cm.

8. If the pairing fails in Bluetooth Mode, please try AP Mode



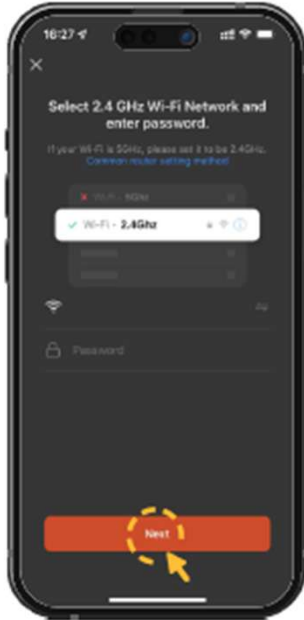
9. Press and hold the Wi-Fi button, you will hear 3 beeps. Keep pressing until you hear other **5 beeps** and the indicator flashes slowly



User Instructions - APP Control *Continued*.....

Add a device - continued

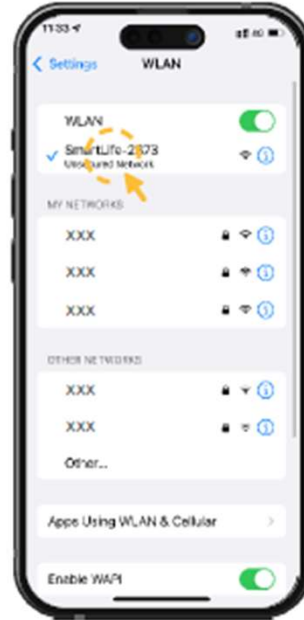
10. Select Wi-Fi and enter the password, press Next



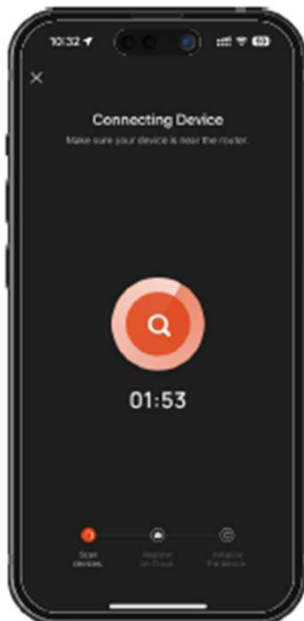
11. Press "Go to Connect"



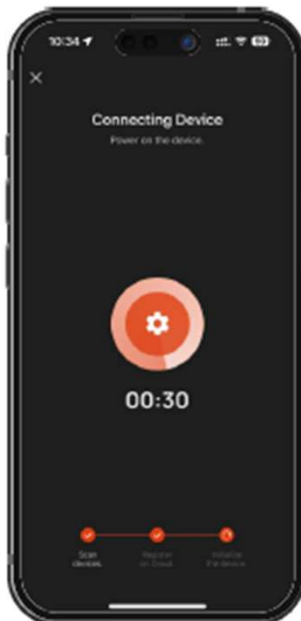
12. Choose a Wi-Fi called "SmartLife-XXX".



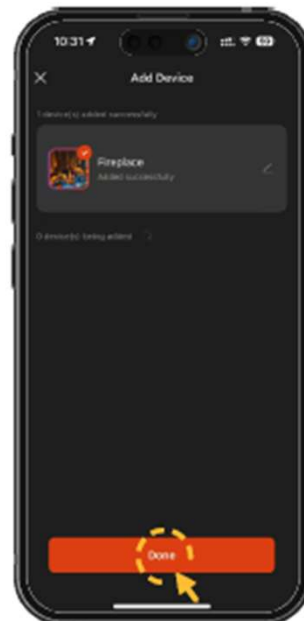
13. Go back to the APP. Start to add device



14. Adding device



15. Once added. The fuel bed will turn green and stop flashing. Press Done to complete pairing



User Instructions - APP Control *Continued*....

Using the APP - Home Screen

Flame mode

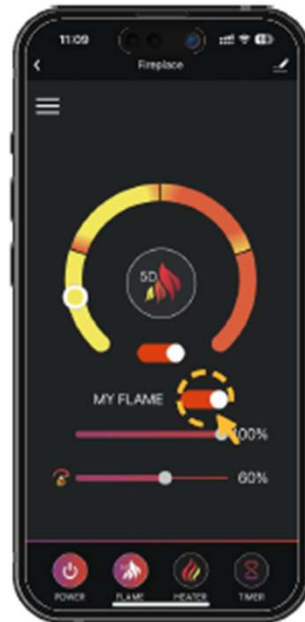
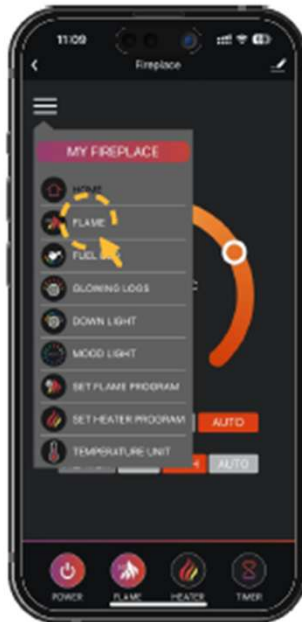


Heater mode



NOTE: The AUTO mode will only work when you set the daily / weekly timer for the flame effect or heater.

Using the APP - My Flame



NOTE: The slider under the flame effect colour options controls the brightness from 0% (off) to 100%.

User Instructions - APP Control *Continued*....

Using the APP - Changing the Flame Effect Colour



Using the APP - Changing the Fuel Bed Colour



NOTE: The slider under the colour options controls the brightness of the lights from 0% (off) to 100%.

User Instructions - APP Control *Continued*....

Using the APP – Glowing Logs



Using the APP – Downlights



NOTE: The slider under the colour options controls the brightness of the lights from 0% (off) to 100%.

User Instructions - APP Control *Continued*.....

Using the APP - Mood lightning



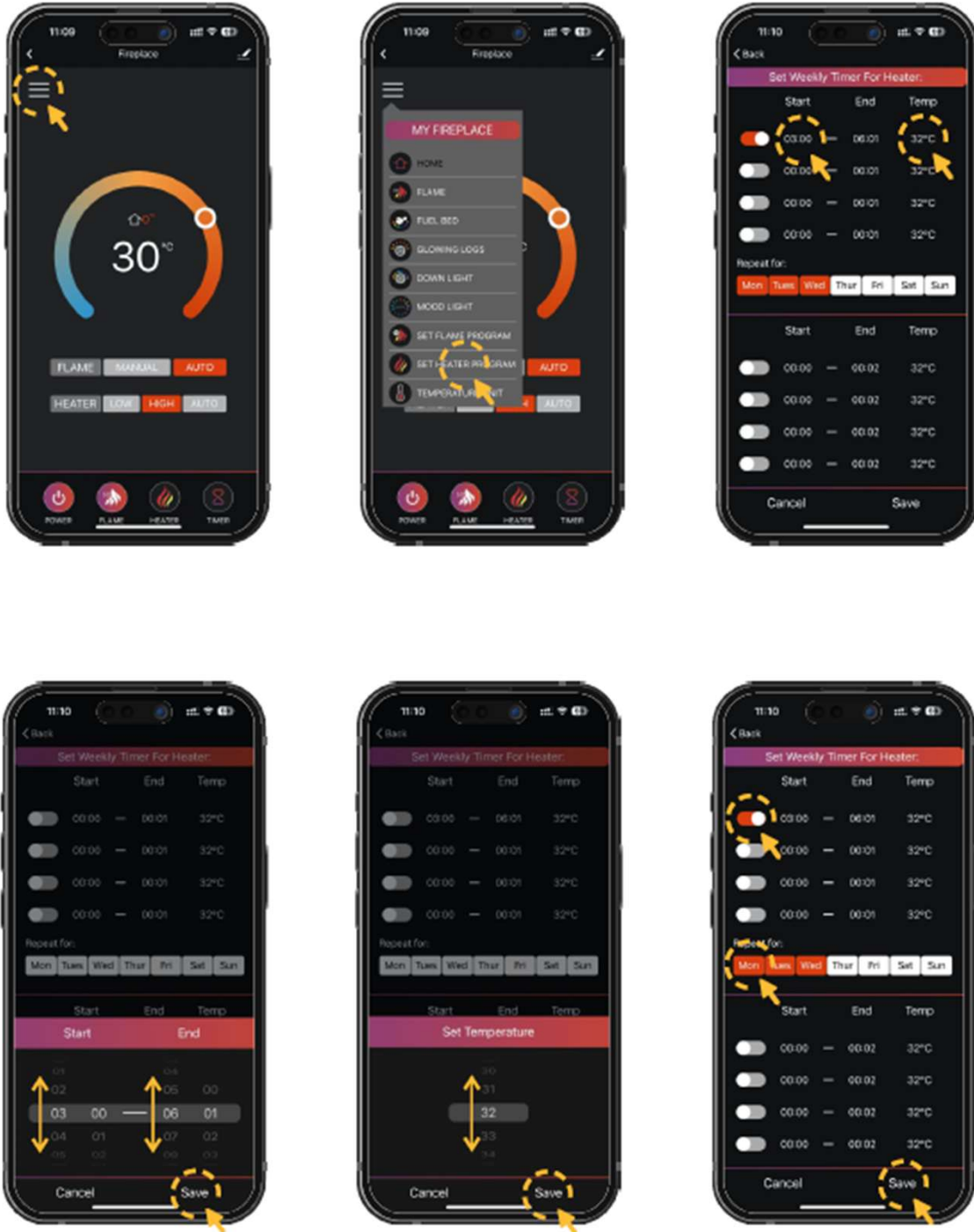
Using the APP – Setting the flame effect program



Up to 4 time periods per day, with 3 different weekly schedules can be set

User Instructions - APP Control *Continued*.....

Using the APP – Setting the heater program



Up to 4 time periods per day with 3 different weekly schedules can be programmed

User Instructions - APP Control *Continued*....

Using the APP – Manual heating adjustment



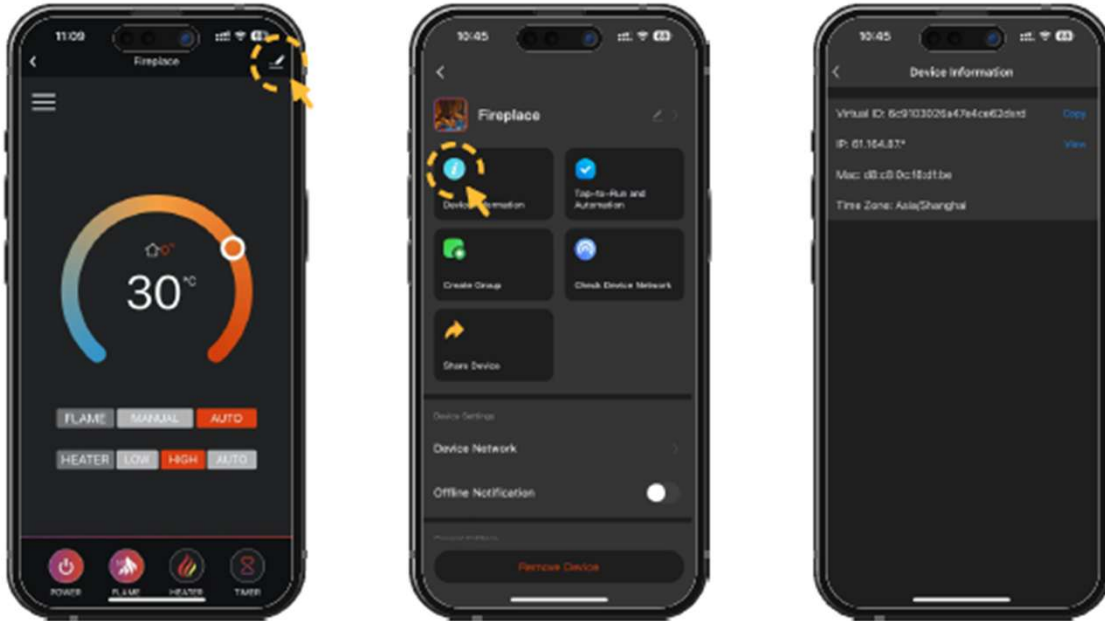
Using the APP – Timer



User Instructions - APP Control *Continued*.....


Using the APP – Device Information.

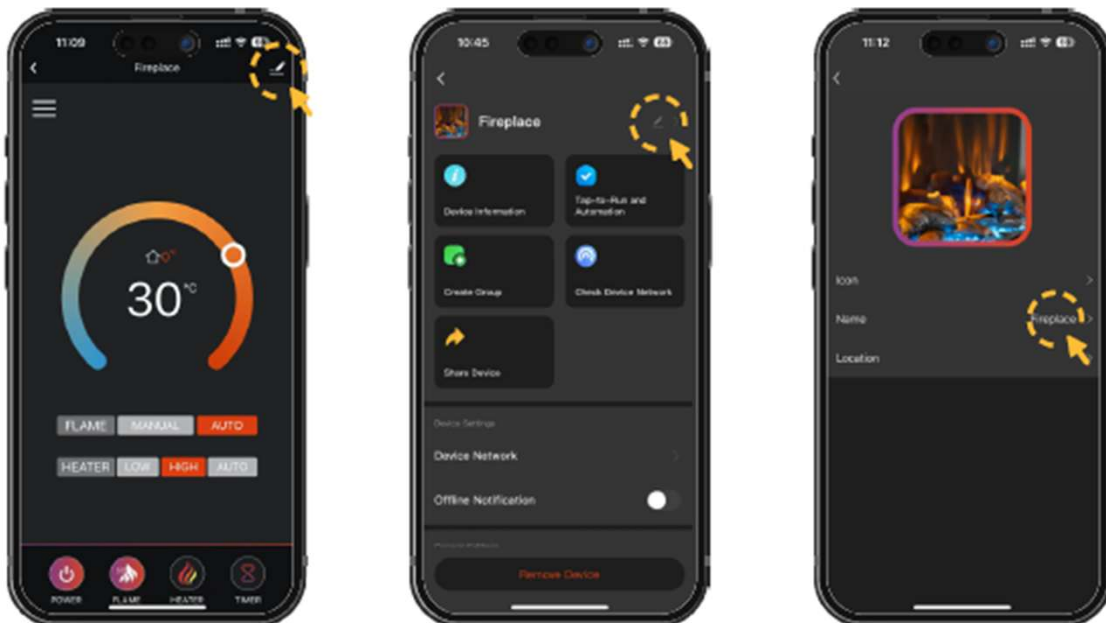
Virtual ID, IP, MAC, Time zone etc.



Using the APP – Renaming your device

1. Click 

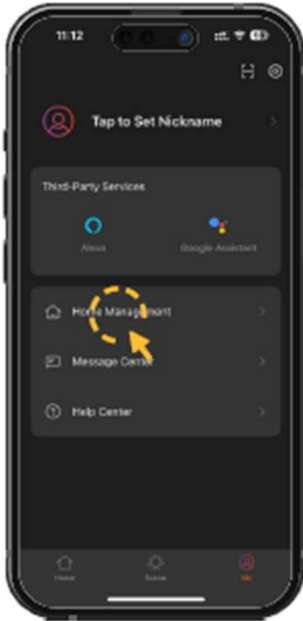
2. Click  You can create a new name for your device



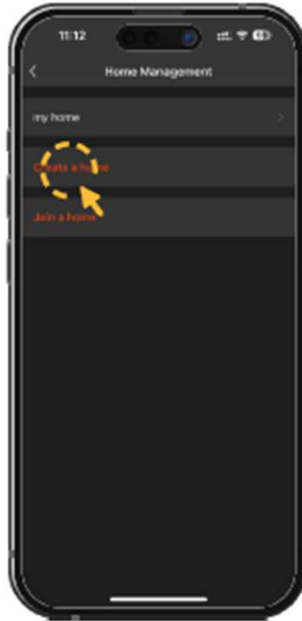
User Instructions - APP Control *Continued*.....

Using the APP – Creating a Home

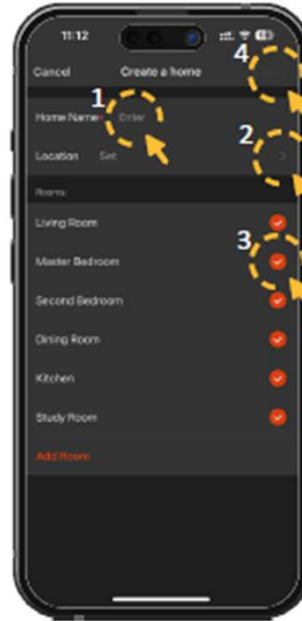
1. Press "Home Management"



2. Press "Create a Home"

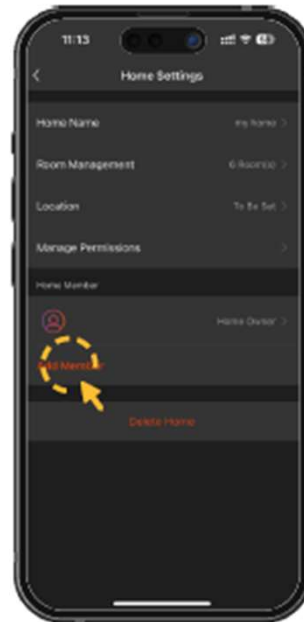
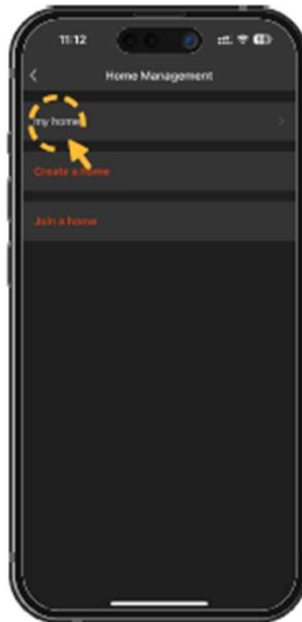
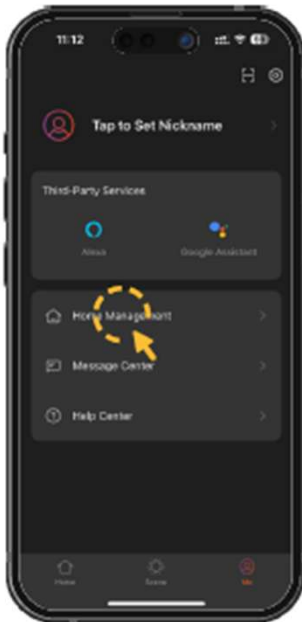


3. Enter home name, select home location and rooms, press "Save"



Using the APP – Add a Member

1. Select "Me" > "Home Management" > "Name of Home" > "Add Member". NOTE: Download the APP for your new member firstly.

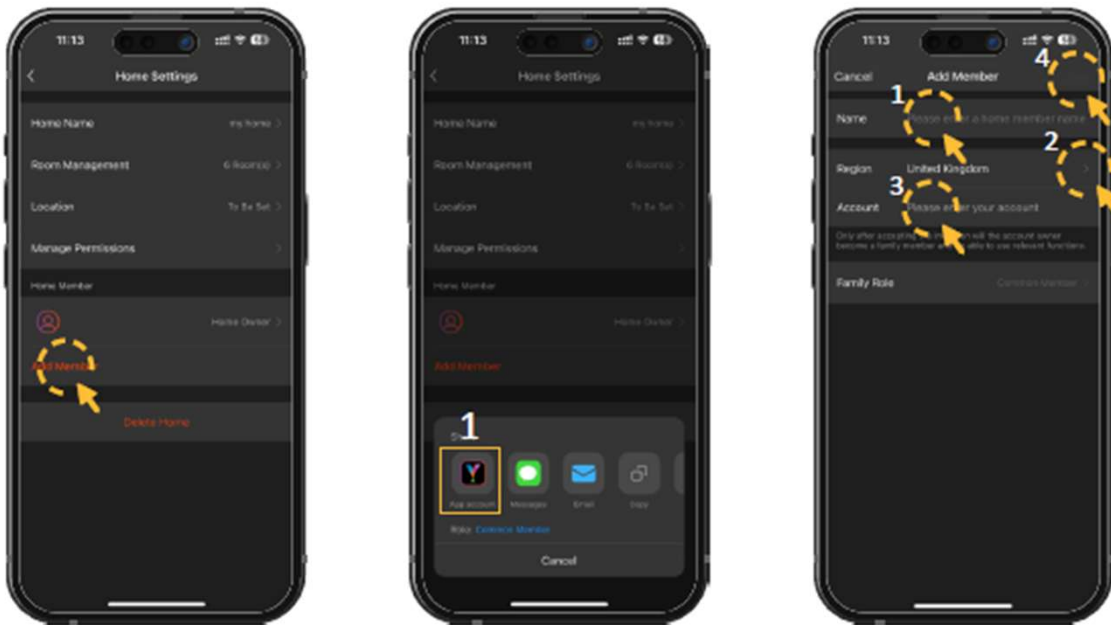


User Instructions - APP Control *Continued*....

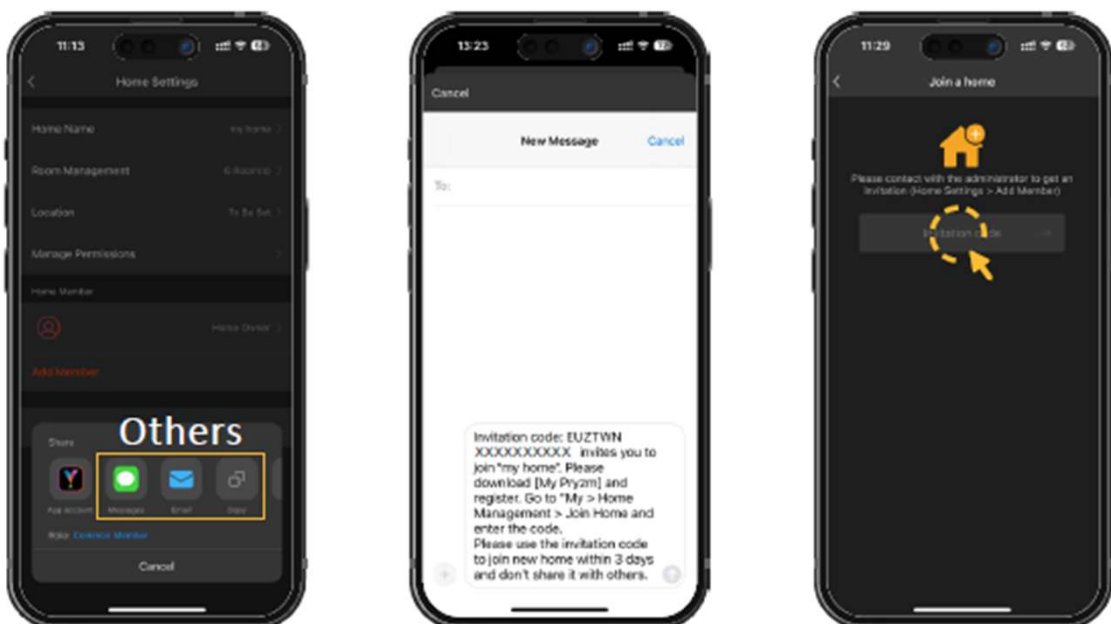
Using the APP – Adding a Member continued

2. Select 1: "APP account".

NOTE: It's the new member's account, not your own.




3. Select "Others" to get an invitation code. Then go to "Me" > "Home Management" > "Join a home" and enter the code. Select the right home then the APP will be ready to operate the appliance.



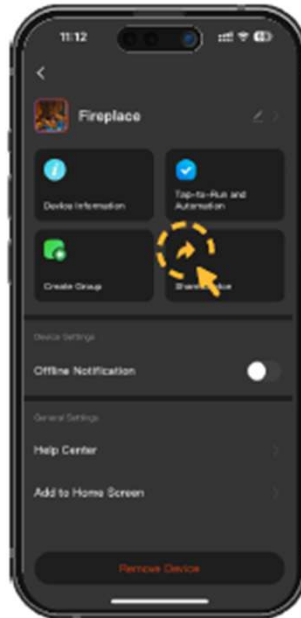
User Instructions - APP Control

Using the APP – Share Device

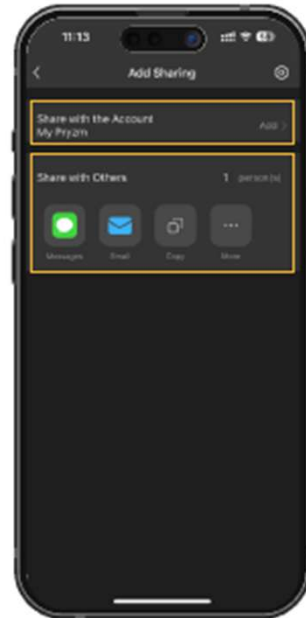
1. Press the 



2. Press “Share Device”



3. You can choose Tuya Smart Account, Messages, Email and so on.

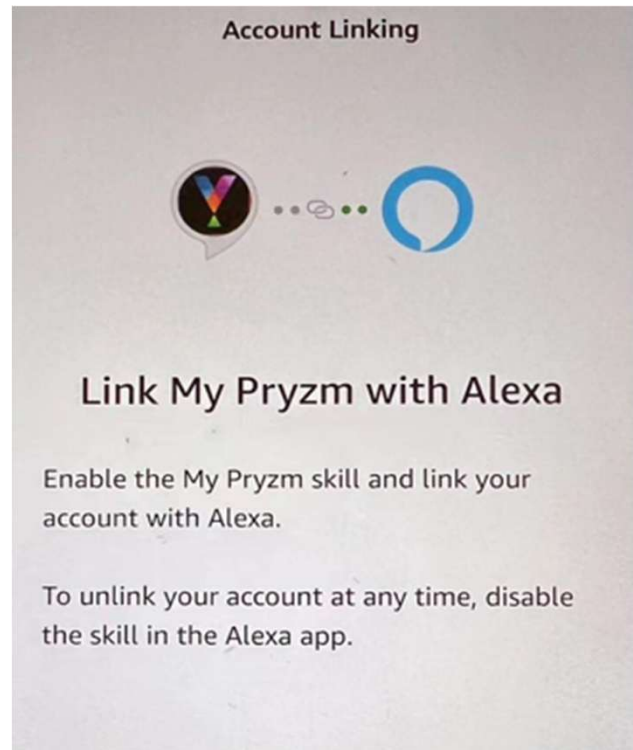
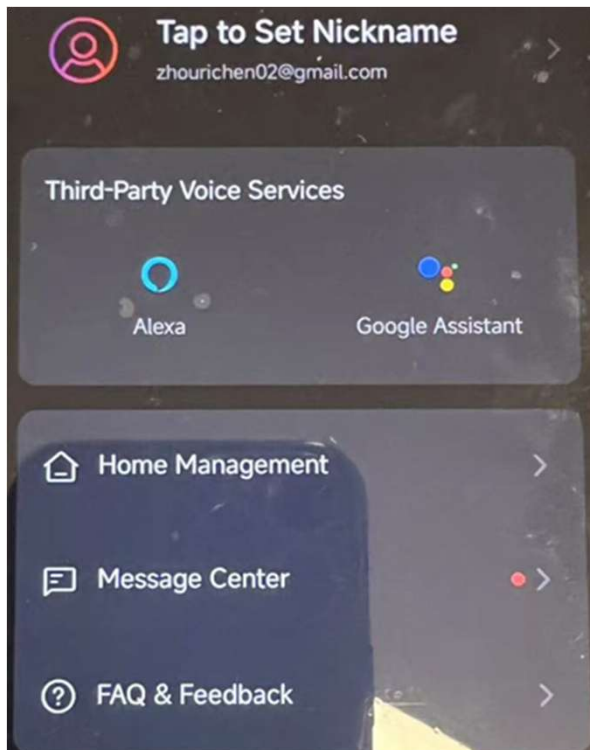


User Instructions - Voice Control

Before you can use this feature you must ensure your Amazon Alexa or Google Assistant APP is already linked to the voice controlled device.

Now you can link the fire APP with either Amazon Alexa or Google Assistant, this is done by opening fire APP selecting "ME" then select Alexa or Google from the Third Party Voice Service.

NOTE: The phone, fire and Alexa or Google Assistant APP must be on the same Wi-Fi in order for the voice control to work.



User Instructions - Voice Control *Continued*....

The following commands can be used to control the fire via voice control.

NOTE: Use your "device name" in place of "my fireplace" below. This is the device name chosen during APP setup page 30 **Using the APP - Renaming your device**

Amazon Alexa Commands

Fireplace On / Off	Alexa, turn on <my fireplace> Alexa, turn off <my fireplace>
Flame On / Off	Alexa, turn on flame on <my fireplace> Alexa, turn off flame on <my fireplace>
Flame Mode Auto / Manual	Alexa, set flame mode on <my fireplace> to auto Alexa, set flame mode on <my fireplace> to manual
Heater On / Off	Alexa, turn on heater on <my fireplace> Alexa, turn off heater on <my fireplace>
Heat Mode Auto / Low / High	Alexa, set heat mode on <my fireplace> to auto Alexa, set heat mode on <my fireplace> to low Alexa, set heat mode on <my fireplace> to high
Flame Colour	Alexa, set flame colour on <my fireplace> to 1 (or 2, 3,4) Alexa, set flame colour on <my fireplace> to off 1 = Orange, 2 = Orange & Red, 3 = Red & Orange and 4 = Red
Fuel Bed Colour	Alexa, set fuel bed colour on <my fireplace> to 1 (or 2, 3, 4, 5, 6, 7, 8, 9) Alexa, set fuel bed colour on <my fireplace> to off 1 = Red, 2 = Orange, 3 = Yellow, 4 = Green, 5 = Light Blue, 6 = Dark Blue, 7 = Purple, 8 = White and 9 = Cycle setting, the fuel bed colour will change through the colours 1 – 8.
Down Light Colour	Alexa, set down light colour on <my fireplace> to 1 (or 2, 3, 4, 5, 6, 7, 8, 9) Alexa, set down light colour on <my fireplace> to off 1 = Red, 2 = Orange, 3 = Yellow, 4 = Green, 5 = Light Blue, 6 = Dark Blue, 7 = Purple, 8 = White and 9 = Cycle setting, the fuel bed colour will change through the colours 1 – 8.
Mood Light On / Off	Alexa, turn on mood light on <my fireplace> Alexa, turn off mood light on <my fireplace>
Mood Light Colour	Alexa, set mood light colour on <my fireplace> to 1 (or 2, 3, 4, 5, 6, 7, 8, 9,10,11,12,13,14) Alexa, set mood light colour on <my fireplace> to off 1 = White, 2 = Red, 3 = Orange, 4 = Yellow, 5 = Green, 6 = Dark Green, 7 = Light Blue, 8 = Blue, 9 = Dark Blue, 10 = Darker Blue, 11 = Purple, 12 = Pink, 13 = Fusher, 14 = Cyle setting the mood light colour will change through 1 - 13
Set Room Temperature	Alexa, set <my fireplace> to 5-104 (Depends on temperature unit) Alexa, make it warmer in here Alexa, make it cooler in here

NOTE: You can't set the timer using voice control for Alexa and you need to set temperature unit in the APP

User Instructions - Voice Control *Continued*.....

The following commands can be used to control the fire via voice control.

NOTE: Use your "device name" in place of "my fireplace" below. This is the device name chosen during APP setup page 42 **Using the APP - Renaming your device**


Google Assistant Commands


Fireplace On / Off	OK Google, turn on <my fireplace> OK Google, turn off <my fireplace>
Flame On / Off	OK Google, turn on flame on <my fireplace> OK Google, turn off flame on <my fireplace>
Flame Mode Auto / Manual	OK Google, set flame mode to auto OK Google, set flame mode to manual
Heater On / Off	OK Google, turn on heater on <my fireplace> OK Google, turn off heater on <my fireplace>
Heat Mode Auto / Low / High	OK Google, set heat mode to auto OK Google, set heat mode to low OK Google, set heat mode to high
Flame Colour	OK Google, set flame colour to 1 (or 2, 3,4) OK Google, set flame colour to off 1 = Orange, 2 = Orange & Red, 3 = Red & Orange and 4 = Red
Fuel Bed Colour	OK Google, set fuel bed colour to 1 (or 2, 3, 4, 5, 6, 7, 8, 9) OK Google, set fuel bed colour to off 1 = Red, 2 = Orange, 3 = Yellow, 4 = Green, 5 = Light Blue, 6 = Dark Blue, 7 = Purple, 8 = White and 9 = Cycle setting, the fuel bed colour will change through the colours 1 – 8.
Down Light Colour	OK Google, set down light colour to 1 (or 2, 3, 4, 5, 6, 7, 8, 9) OK Google, set down light colour to off 1 = Red, 2 = Orange, 3 = Yellow, 4 = Green, 5 = Light Blue, 6 = Dark Blue, 7 = Purple, 8 = White and 9 = Cycle setting, the fuel bed colour will change through the colours 1 – 8.
Mood Light On / Off	OK Google, turn on mood light on <my fireplace> OK Google, turn off mood light on <my fireplace>
Mood Light Colour	OK Google, set mood light colour to 1 (or 2, 3, 4, 5, 6, 7, 8, 9, 10, 11, 12, 13, 14) OK Google, set mood light colour to off 1 = White, 2 = Red, 3 = Orange, 4 = Yellow, 5 = Green, 6 = Dark Green, 7 = Light Blue, 8 = Blue, 9 = Dark Blue, 10 = Darker Blue, 11 = Purple, 12 = Pink, 13 = Fusher, 14 = Cyle setting the mood light colour will change through 1 - 13
Timer	OK Google, set timer on <my fireplace> to 30 minutes (or half an hour, 1 hour, 2 hours, 3 hours, 4 hours, 5 hours, 6 hours, 7 hours, 8 hours, 9 hours, 10 hours) OK Google, cancel timer on <my fireplace>
Set Room Temperature	OK Google, set <my fireplace> temperature to N Celsius (N=5-40) OK Google, set <my fireplace> temperature to N Fahrenheit (N=41-104)


Maintenance

WARNING: Before any maintenance or whilst cleaning the exterior of the fireplace, the unit should be disconnected from the power supply until it has cooled down.

Remote Handset Battery Replacement

When the batteries are at full power, the battery symbol will show 

When the batteries are half full, the battery symbol will show 

When the batteries are out of power and need replacing immediately, the battery symbol will show 

Battery replacement is recommended after 1 year. The batteries are 1.5V alkaline AAA, batteries.

Dispose of old batteries at an appropriate recycling facility.

Cleaning the Fire

Cleaning or polishing products are not recommended.

Fingerprints or other marks on the front glass panel can be removed by a piece of soft, damp, lint-free cloth with a good quality household glass cleaner. The front glass panel should always be completely dried with a clean, lint-free cloth or paper towel.

CAUTION: Abrasive cleaners should not be used on the glass panel. Liquids should not be sprayed directly onto any surface of the unit.

Troubleshooting

Problem	Solution
The fire is not switching on	Ensure the mains switch is on. Replace the fuse in the plug
The fire is not emitting heat	Check the handset temperature is set higher than the room temperature
The fire Shuts off after a period of time	The room has reached the set temperature. Has the daily timer been set.
Handset display fading	Check / change batteries in the remote
Mood lighting is not coming on	Make sure the connection has been enabled. Press mood light button on remote followed by the “+” button
APP not operating fire	Ensure the fire and mobile are connected to same Wi-Fi

Should you be experiencing any problems with your fire please call Customer Services on 01914300901 or email us at customerservices@bemodern.co.uk

General Information

Environment



Meaning of crossed –out wheeled dustbin:

Electrical appliances should not be disposed as unsorted municipal waste. Separate collection facilities should be used in the disposal of electrical appliances. Contact your local government for the information about the available collection systems. If electrical appliances are disposed of in landfills or dumps, hazardous substances can leak into the groundwater and get into the food chain, damaging your health and well-being. When old appliances are replaced by the new ones, it is a legal obligation for the retailer to take back the old appliance for disposals at least free of charge.



This fire complies with the Safety Standards EN 60335-1 and EN 60335-2-30 which covers the essential requirements of the Low Voltage Directive 2014/35/EU and the EMC standards EN 55014-1; EN 55014-2; EN 61000-3-2 and EN 61000-3-3 which covers the essential requirements of the European Electro Magnetic Compatibility 2014/30/EU, and the RED standards EN300220-2, EN301489-1, EN301489-3 and EN6247 which covers the essential requirements of the European Radio Equipment Directive 2014/53/EU.



This fire complies with the Safety Standards BS 60335-1 and BS 60335-2-30 which covers the essential requirements of the Electrical Equipment (Safety) Regulations 2016 and the EMC standards BS 55014-1; BS 55014-2; BS 61000-3-2 and BS 61000-3-3 which covers the essential requirements of the Electro Magnetic Compatibility Regulations 2016, and the RED standards BS 300220-2, BS 301489-1, BS 301489-3 and BS 6247 which covers the essential requirements of the Radio Equipment Regulations 2017.



RoHS stands for Restriction of Hazardous Substances, and impacts the entire electronics industry and many electrical products as well. The Restrictions of the Use of Certain Hazardous Substances in Electrical and Electronic Equipment Regulations 2012, originated in the European Union in 2002 and restricts the use of six hazardous materials found in electrical and electronic products. All applicable products in the EU and UK market since July 1, 2006 must pass RoHS compliance.

Control PCB	Remote Control Receiver	Remote Control Transmitter
Hardware: RC01-043A01 V0 Software: V0	Hardware: RF290B V1.2	Frequency: ASK/OOK 433.92MHZ Maximum transmit power: 10mW Hardware: RF290A-TX-V1.3 Software: RF290A_C_V0.6.0.hex

Electric Fire Guarantee

Our IQFX Fire comes with a **1 Year** warranty as standard, providing you with reassurance and peace of mind. **This covers parts and labour.**

2 years extended warranty is obtained by registering your product free, within 28 days of purchase at:

<https://www.bemodern.com/diamondfireplaces/support/warranty/>

After registration you will receive cover for **parts only** in **year 2 & 3.**

Note: Registration is not required for the standard 1 year warranty. If you do not have access to the internet you may register your product via the below contact telephone number.

For further information on the individual terms of your product warranty, please contact our Customer Service team: on 0191 430 0901 or customerservices@bemodern.co.uk

1. The Guarantee applies to:

- a. All products in the ranges manufactured by the 'Company' (but subject to the exceptions below):
where:
- b. The product has been purchased and installed within the UK and in respect of
- c. The initial installation: and in favor of
- d. The original purchaser

2. Proof of Purchase must be retained by the Purchaser

3. The Guarantee does not apply to:

- a. Damage or inferior workmanship practices whilst the 'Product' is being installed
- b. Damage caused by mis-use of the 'Product' or where normal standards of care and use have not been complied with.
- c. Damage through a malfunction or an inadequately installed electric fire.
- d. Damage or defects due to mis-use, accident or unauthorised alterations.

4. During the guarantee period after the 'Product' has been supplied, the Guarantee covers the making good (whether by repair or replacement at the Company's option) of defects arising from defective manufacture of materials of "Product" covered in Para 1 all at no cost to the purchaser on the provision:

- a. The Product has been installed as per Be Modern recommendations. The Purchaser uninstalls the Product and makes it available for collection by Be Modern.

This Guarantee does not affect your statutory rights

On requiring service the purchaser should contact the retailer who supplied your product who will assist and advise you as necessary.

Be Modern Ltd.
19-34 Bedesway
Bede Industrial Estate
Jarrow
Tyne and Wear
NE32 3BE
Tel: (0191) 430 0901
Fax: (0191) 430 9522
[Website: Bemodern](http://www.bemodern.com)

General Information

ERP Table

Contact details	BE MODERN LTD 19/34 BEDESWAY, BEDE INDUSTRIAL ESTATE, JARROW, TYNE & WEAR, NE32 3BE					
Model identifier(s): 4406, 4371, 4405						
Item	Symbol	Value	Unit		Item	Unit
Heat output					Type of heat output / room temperature control (select one)	
Nominal heat output	P_{nom}	1.378-1.5	kW		single stage heat output and no room temperature control	[no]
Minimum heat output (indicative)	P_{min}	0.689	kW		two or more manual stages, no room temperature control	[no]
Maximum continuous heat output	$P_{max,c}$	1.5	kW		with mechanic thermostat room temperature control	[no]
Power consumption					with electronic room temperature control	[no]
In off mode	P_o	0.00	W		electronic room temperature control plus day timer	[no]
In standby mode	P_{sm}	N / A	W		electronic room temperature control plus week timer	[yes]
In idle mode	P_{idle}	1.22	W		Other control options (multiple selections possible)	
In network standby	P_{nsm}	1.22	W		room temperature control, with presence detection	[no]
Standby mode with display of information or status			[no]		room temperature control, with open window detection	[yes]
Seasonal space heating energy efficiency in active mode	$\eta_{s,on}$	98	%		distance control option	[yes]
					adaptive start control	[yes]
					working time limitation	[no]
					black bulb sensor	[no]
					self-learning functionality	[no]
					control accuracy	[yes]