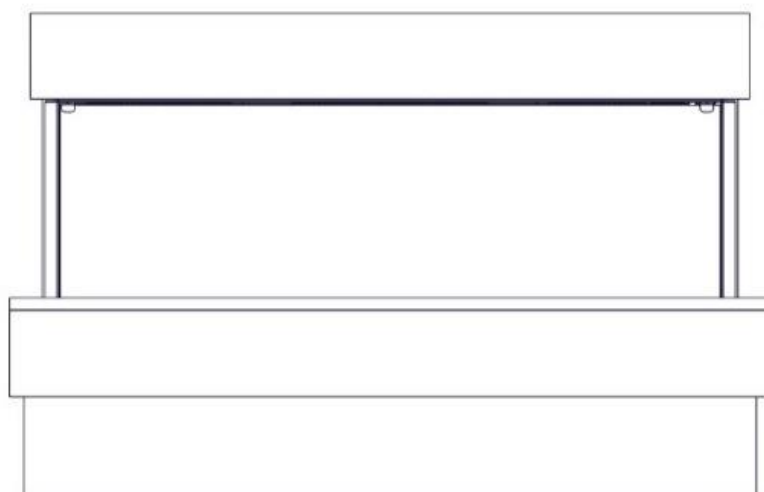
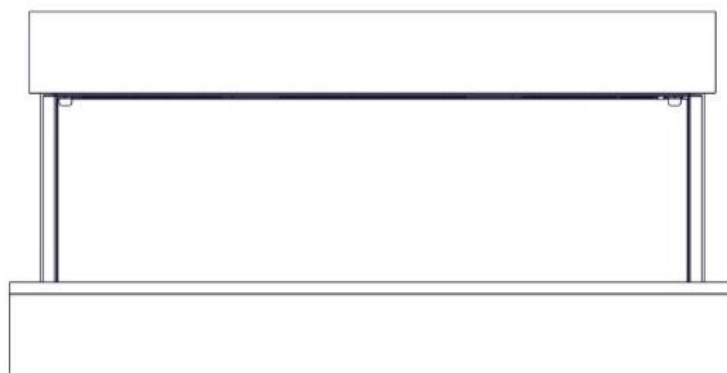


bemodern

FIRES | FIREPLACES

Wall Hung and Floor-Standing Suite

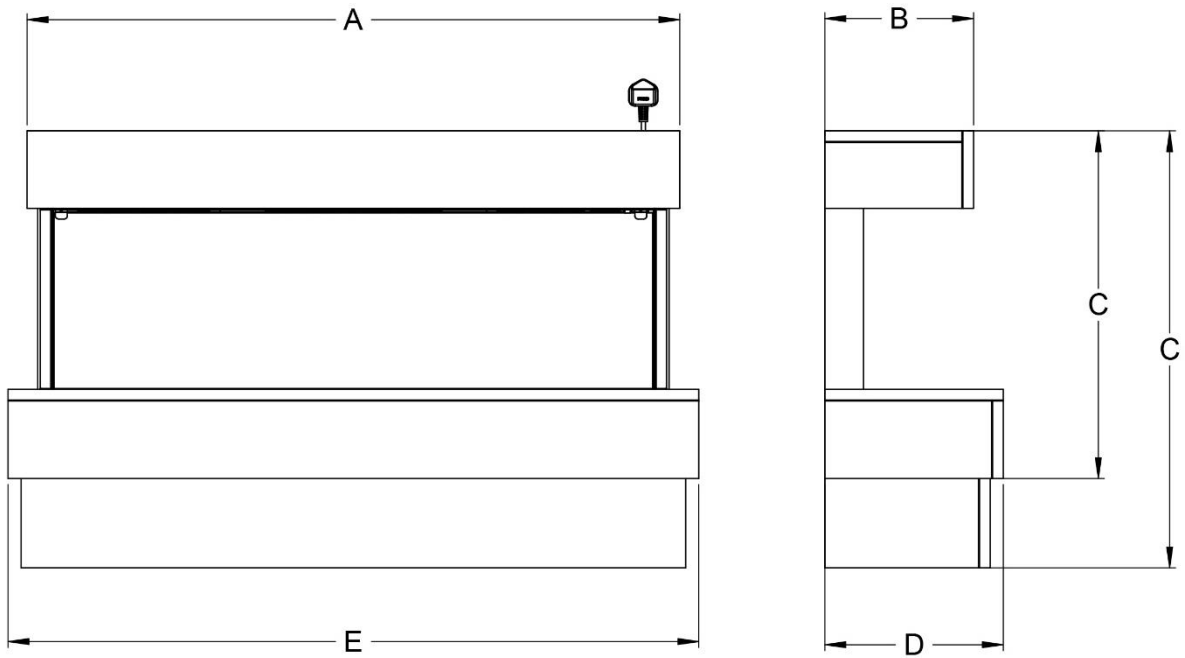


Instructions for installation

Contents

Technical Specification	3
What's in the Boxes	4
Installation – Introduction/ Preparation	5
Installation –Preparation <i>Continued</i>	6
Installation- Floor Standing Suite	7-9
Installation- Wall Mounted Suite	10-14
Fuel Bed Layout & Log Positioning	15
Replacing the Glass	16
Maintenance	17

Technical Specification



Fire/ Surround	Description	Logs	Dimensions (mm)					Unboxed Weight
			A	B	C	D	E	(Kg)
1000 3SL FIRE/ 46" Floor-Standing	Timber Suite	5 SML + 2 LRG	1098	250	734	300	1162	50
1000 3SL FIRE/ 46" Wall Hung	Timber Suite	5 SML + 2 LRG	1098	250	584	300	1162	42.5
750 3SL FIRE/ 36" Floor-Standing	Timber Suite	5 SML	838	250	734	300	902	41
750 3SL FIRE/ 36" Wall Hung	Timber Suite	5 SML	838	250	584	300	902	35

FIRE	Visible Flame Area (mm)
1000 3SL FIRE	W1008 X H296
750 3SL FIRE	W748 x H296

Note: The small logs for the 1000 3SL & 750 3SL Fires are different.

What Is In The Boxes?

Fire/ Surround Description	Boxed Inside the Fire	
	Quantity	Description
750 3SL FIRE/ 36" Wall Mounted Suite	5	Small Logs
	1	Bag Of Crystals
	1	Bag Of Pebbles
	Bagged Separately	
	1	Remote Control
	2	AAA Batteries
	1	Fire Operating Instruction
	1	Foam Strip
	Supplied Fixed to Fire Rear	
	1	Wall Hanging Bracket

Fire/ Surround Description	Boxed Inside the Fire	
	Quantity	Description
1000 3SL FIRE/ 46" Wall Mounted Suite	2	Large Logs
	5	Small Logs
	1	Bag Of Crystals
	1	Bag Of Pebbles
	Bagged Separately	
	1	Remote Control
	2	AAA Batteries
	1	Fire Operating Instruction
	1	Foam Strip
	Supplied Fixed to Fire Rear	
1	Wall Hanging Bracket	

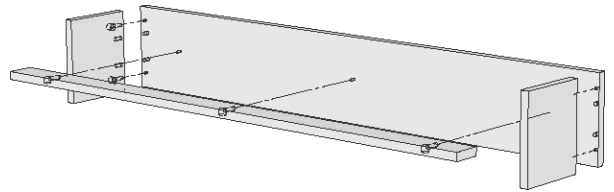
Additional box- if purchased:

Flat Pack Plinth- Self Assembly Required

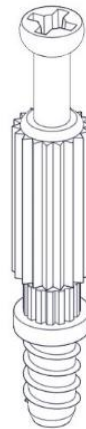
To Suit:

36" Floor-Standing Suite

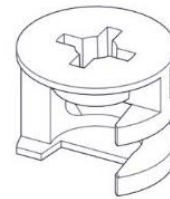
46" Floor-Standing Suite



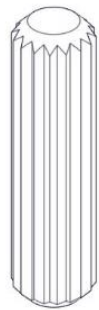
Pins, Cams and Dowels



x7



x7



x4

Please ensure that everything is present before commencing the installation. If anything is missing please call Customer Services on 01914300901 or email us at customerservices@bemodern.co.uk

Installation- Introduction

Note: The Suite is a two adult person lift. A second person will be required to lift and support the pre-assembled parts during installation.

Before the suite can be installed, consideration will need to be given to routing the power supply to the fire. This will affect the stages of the installation process. We advise a qualified electrician to conduct any electrical parts of the installation.

Note: A single socket is required for the operation of the suite.

Do not attempt to lift from the centre of the surround, instead lift from under the hearth and front edge of the fire. See **Diagram 1**.

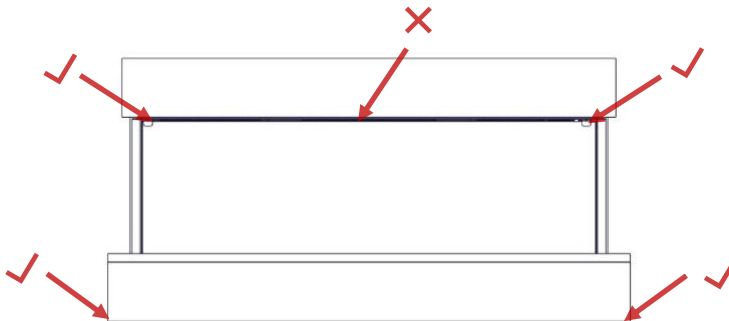


Diagram 1

Installation- Preparation

Unpack your new **Suite** (Fire- Pre-Installed) and if purchased the **Flat Pack Plinth**.

Note: The instructions are detailed for both 36" and 46" Suites- Please familiarise yourself with the model you have purchased before proceeding further.

Note: DO NOT dispose of the packaging until you have checked and made sure all the parts and fixings listed on P4, are present..

Once the Suite is unpacked the **Cardboard Box** inside the fire needs to be removed and the contents checked, as listed on **P4**.

To do this, unscrew the **2 x Screws** holding the **2 x Glass Brackets** in place. There is **1 x Screw** either side of the fire. See **Diagrams 2 & 3**.

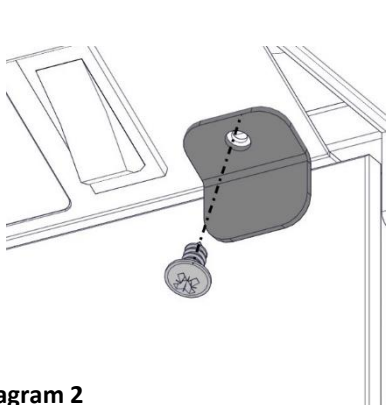


Diagram 2

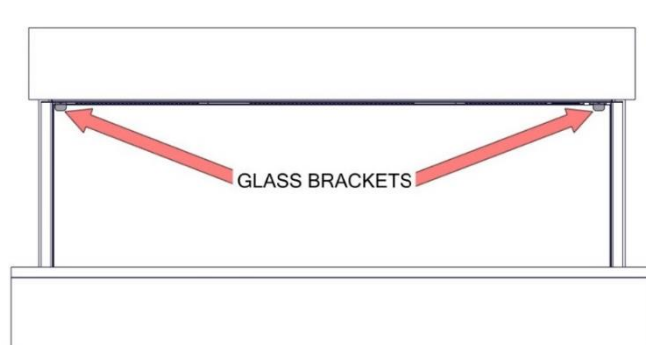


Diagram 3

Installation- Preparation Continued

Once the **2 x Screws** and **2 x Glass Brackets** are removed the **Glass** can be angled forward **(1)** from the top of the fire and lifted out of the channel at the base of the glass. **(2)** See **diagram 4**.

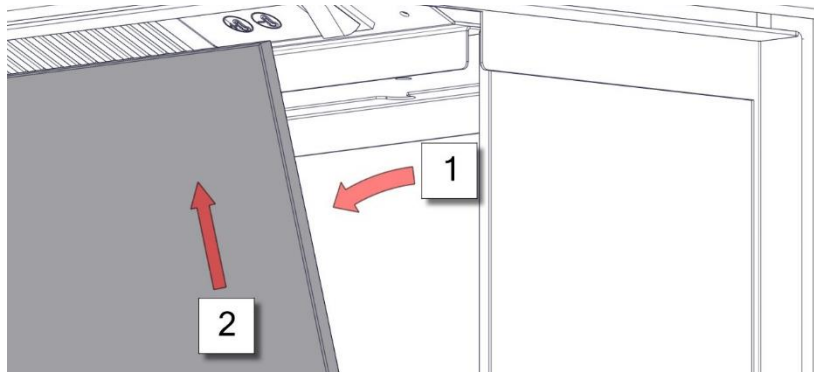


Diagram 4

Note: Place the Glass, 2 x Glass Brackets and 2 x Screws in a safe place, as these will be required later.

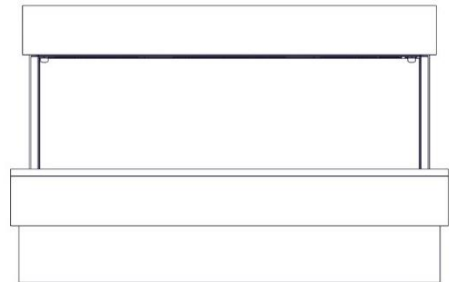
Remove the **Cardboard Box** from inside the fire and depending on the model purchased, check the contents as listed on **P4**.

Note: Before proceeding further ensure there is power to the Fire (Suite), and it is operating correctly. (Follow the separate fire operating instructions).

The next step is to decide on the installation location and before starting the installation ensure that there is enough space to install the Suite - See **P3**, for the product overall sizes.

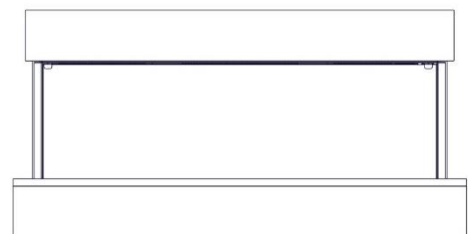
For installation as a **Floor-Standing Suite** proceed to **P7**.

Note: If the suite is planned to be Floor-Standing (with the plinth positioned below the suite) the Wall Mount Bracket must be positioned 380mm from the top of a level plinth to the top of the Wall Mount Bracket. Follow P7-9



For installation as a **Wall Mounted Suite** proceed to **P10**

Note: Alternatively, if the suite is planned to be positioned as a wall hung model (no plinth) the Wall Mount Bracket may be positioned at any desired height on the wall. However, consider the distance from the bottom edge of the Suite to the top of the Wall Mount Bracket is 512mm. Follow P10-14



Installation- Floor-Standing – Suite

If the Plinth is not required, please proceed to P10.

To begin the **Floor-Standing Suite** installation, lightly mark a vertical line in the centre of the installation location- approximately **680mm** up from the floor. See **Diagram 5**.

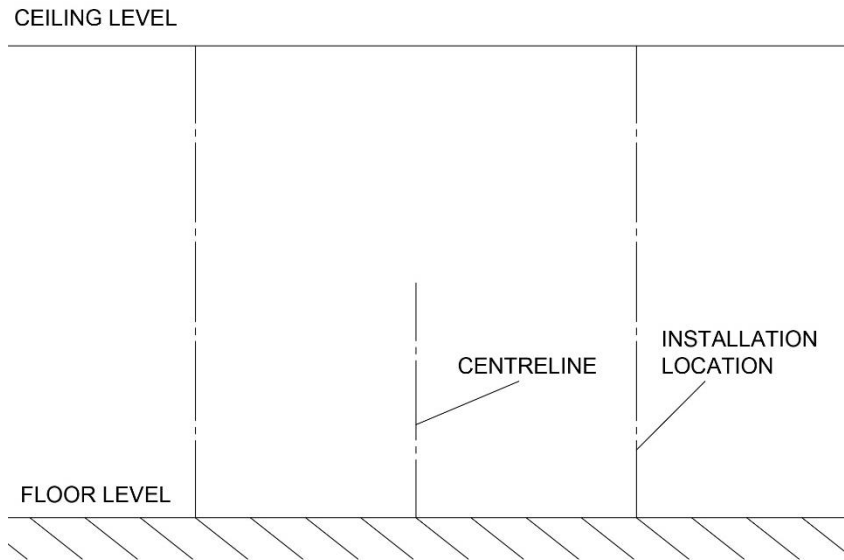


Diagram 5

Locate the box with the **Plinth** components inside and follow the **separate** assembly instructions, boxed with the **Plinth**.

Once assembled, trial fit the **Plinth** centrally in the installation location, and remove any obstructions, i.e. cut to shape or remove skirting to allow the Plinth to butt up flush to the wall. See **Diagram 6**.

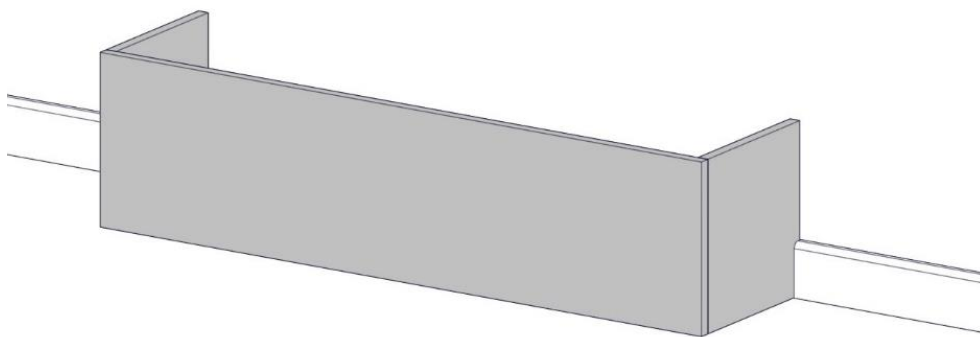


Diagram 6

Note: Before proceeding further consider if the Plinth will require modifying to allow for the power cable to be routed correctly to the socket.

Installation- Floor-Standing – Suite *Continued*.....

Ensuring the **Plinth** is level and centrally positioned in the installation location, measure up **380mm** from both inside edges of plinth and using a straight edge lightly mark a horizontal line either side of the previously marked centre line. See **Diagram 7**.

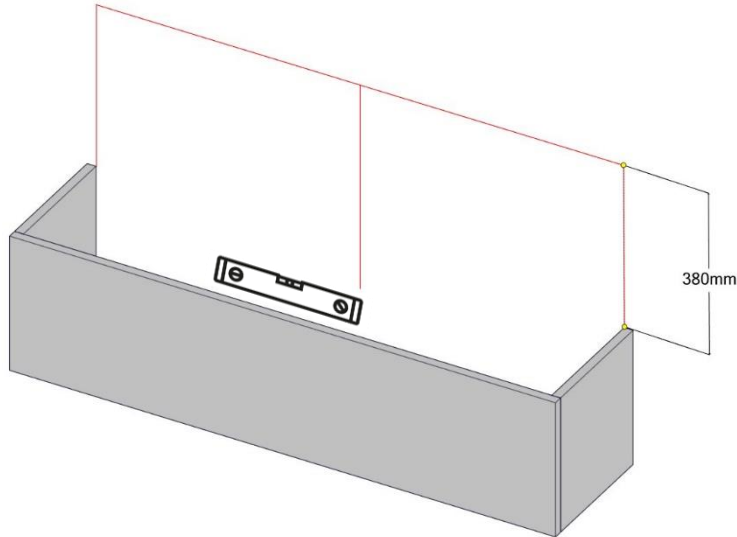


Diagram 7

Locate the **Wall Mount Bracket**- (screwed to the rear of the fire). Measure and lightly mark the centre of the **Wall Mount Bracket** and offer the top edge of the **Wall Mount Bracket** up to the previous drawn horizontal line, level and mark the fixing positions in the bracket on the wall behind. See **Diagram 8**.

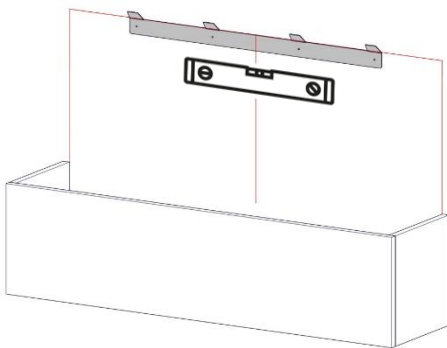


Diagram 8

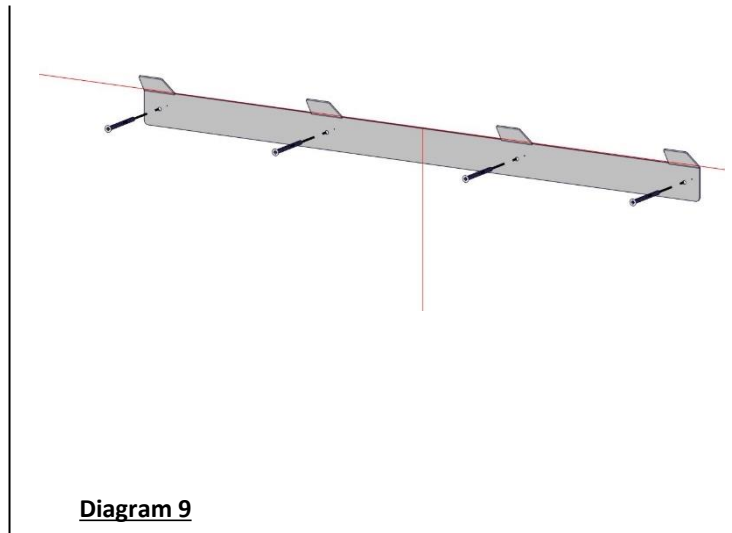


Diagram 9

Once marked, drill the fixing positions. Depending on the wall medium, it may be necessary to plug the drilled holes. See **P17 'Important Note'**.

Finally screw and secure the **Wall Mount Bracket** to the wall using suitable screws. See **P17 'Important Note'**. See **Diagram 9**.

Installation- Floor-Standing – Suite *Continued*.....

Tip- Before proceeding further extend the centreline approximately 75mm up from the top of Wall Mount Bracket and lightly mark the centre of the top back edge of the surround. This will help when trying to line the bracket up with the slots on the back of the fire in the next installation step. See Diagrams 10 & 11.

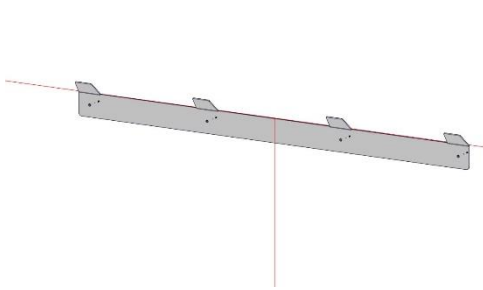


Diagram 10

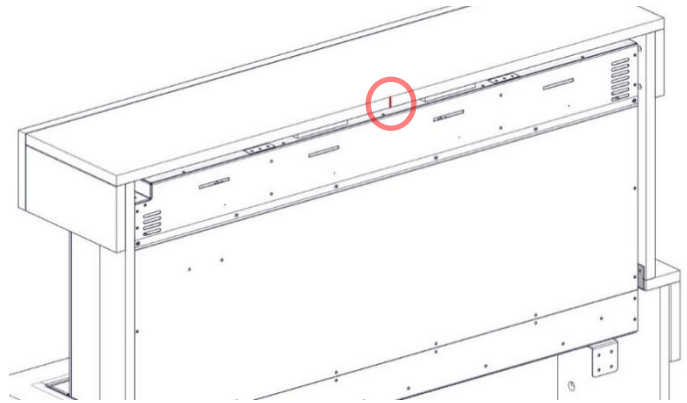


Diagram 11

Note: The Suite is a two adult person lift. A second person will be required to lift and support the pre-assembled parts during installation.

Note: The power cable needs be routed to the rear of the Suite. Care must be taken not to crush or damage the cable when positioning the Suite. Before proceeding further ensure the power cable is connected to a power supply.

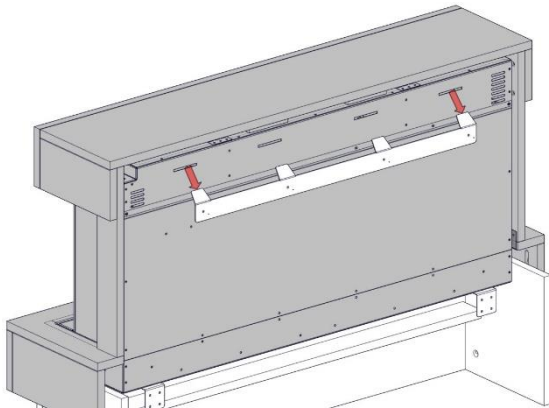


Diagram 12

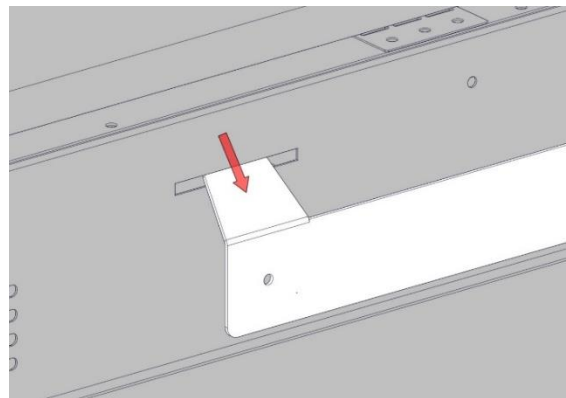


Diagram 13

Lifting the **Suite** as described on **P5**, offer the suite back to the wall approx. **90mm** above the top of the **Wall Mount Bracket** and lower the **Suite** parallel with the wall into position. When lowering try to line up the central mark on the wall and the top of the **Suite**, ensuring the '**prongs**' on the **Wall Mount Bracket** engage with the slots on the back of the fire. See **Diagrams 12 & 13**.

If necessary, repeat this step, until you are confident the **Suite** is fully engaged on the **Wall Mount Bracket** and if required centralise on the installation location there will be some slight adjustment left and right.

The installation is now complete- The **fuel bed** can now be dressed and the **logs** positioned. See **Diagrams 27-31, P15**.

Installation – Wall Mounted Suite

If the suite is planned to be positioned, as a **Wall Mounted Suite** the wall mount bracket may be positioned at any desired height on the wall.

Note: Consider once installed the distance from the bottom edge of the Suite to the top of the Wall Mount Bracket is 512mm. The top of the surround is approx. 71mm above this. See Diagram 14.

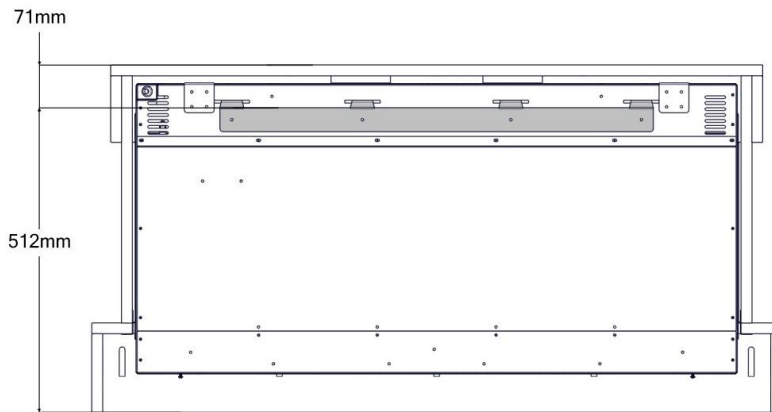


Diagram 14

Once the desired installation height has been determined, lightly mark the position of the bottom edge of the **Suite** centrally on the wall.

Measure up a further **60mm** from this position (**This is so the line can't be seen once the Suite is installed**) and lightly mark a vertical line in the centre of the installation location at a length of approximately **480mm**.

See **Diagram 15**.

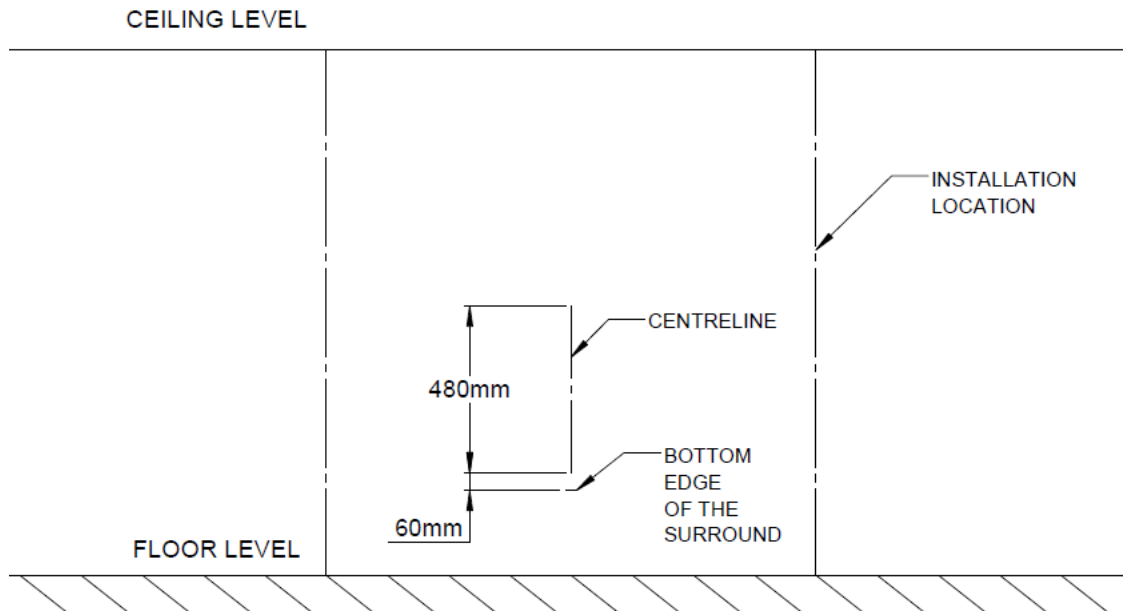


Diagram 15

Installation- Wall Mounted Suite *Continued*.....

Working from the previous marked line indicating the bottom edge of the **Suite** and using a straight edge lightly mark a horizontal line approx. **300mm** either side of the previously marked centre line at a height of **512mm**.
See **Diagram 16**.

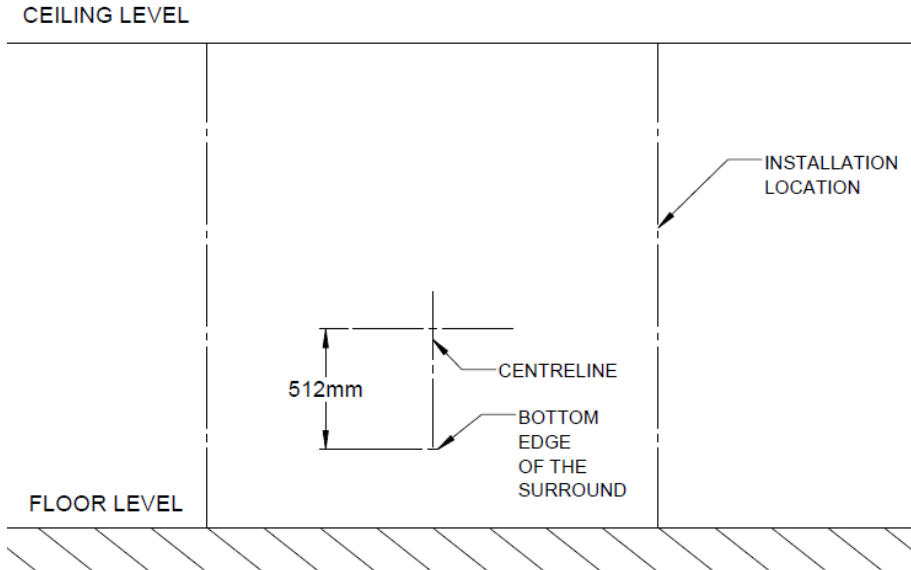


Diagram 16

Locate the **Wall Mount Bracket**- (taped to the rear of the fire). Measure and lightly mark the centre of the **Wall Mount Bracket** and offer the **top** edge of the **Wall Mount Bracket** up to the previous drawn horizontal line, **level** and mark the fixing positions in the bracket on the wall behind. See **Diagram 17**.

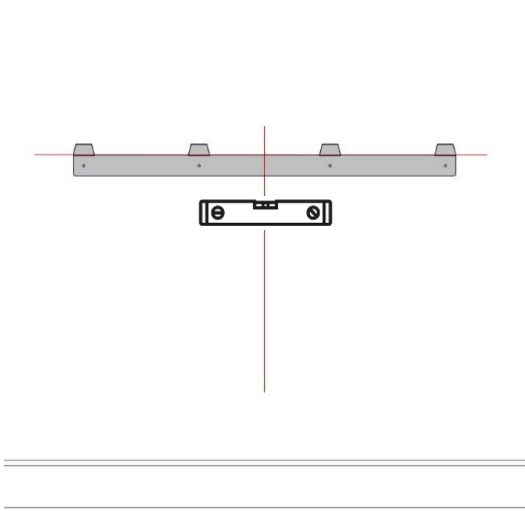


Diagram 17

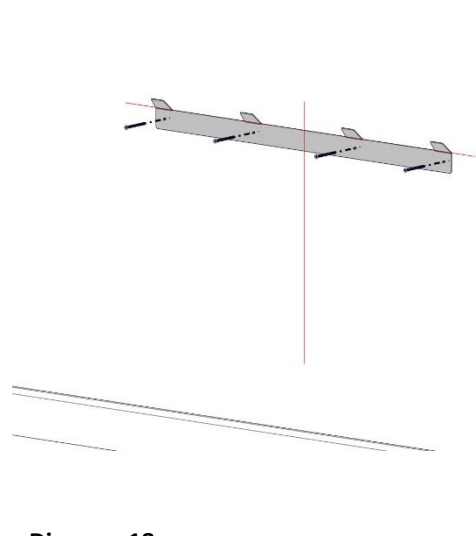


Diagram 18

Once marked, drill the fixing positions. Depending on the wall medium, it may be necessary to plug the drilled holes. See **P17 'Important Note'**.

Finally screw and secure the **Wall Mount Bracket** to the wall using suitable screws. See **P17 'Important Note'**.
See **Diagram 18**.

Installation- Wall Mounted Suite *Continued*.....

Tip- Before proceeding further extend the centreline approximately 75mm up from the centre of Wall Mount Bracket and lightly mark the centre of the top back edge of the surround. This will help when trying to line the bracket up with the slots on the back of the fire in the next installation step. See Diagrams 19 & 20.

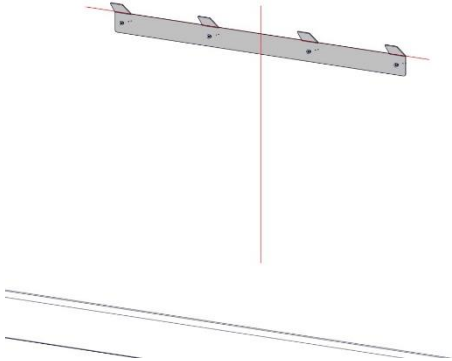


Diagram 19

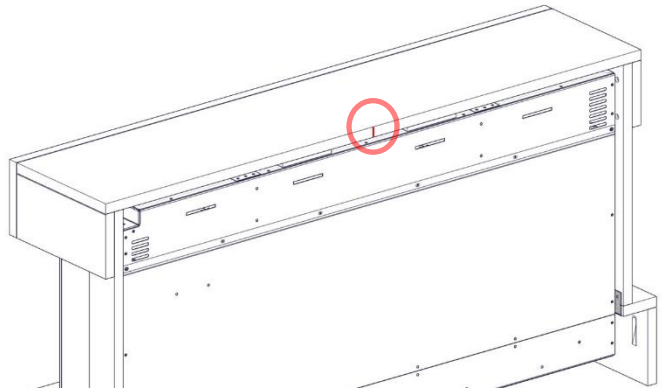


Diagram 20

Note: The Suite is a two adult person lift. A second person will be required to lift and support the pre-assembled parts during installation.

Note: The power cable needs be routed to the rear of the Suite. Care must be taken not to crush or damage the cable when positioning the Suite. Before proceeding further ensure the power cable is connected to a power supply.

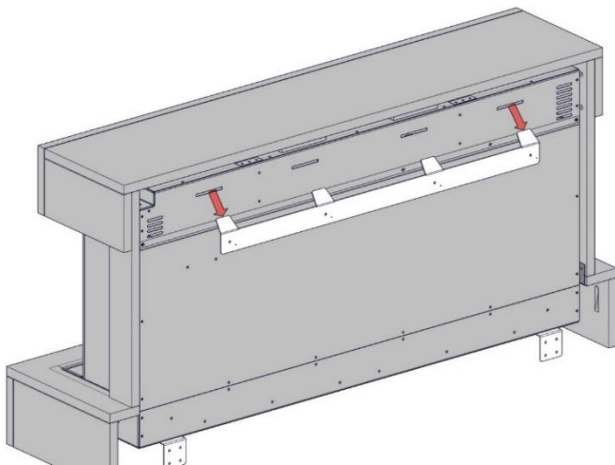


Diagram 21

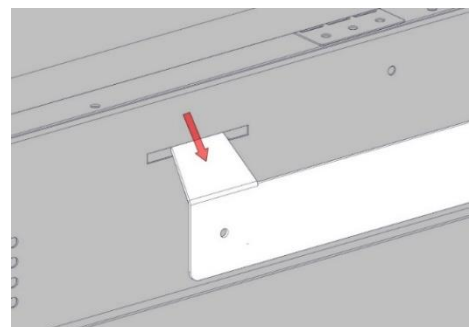


Diagram 22

Lifting the **Suite** as described on **P5**, offer the suite back to the wall approx. **90mm** above the top of the **Wall Mount Bracket** and lower the **Suite** parallel with the wall into position. When lowering try to line up the central mark on the wall and the top of the **Suite**, ensuring the '**prongs**' on the **Wall Mount Bracket** engage with the slots on the back of the fire.. See **Diagram 21 & 22**.

If necessary, repeat this step, until you are confident the **Suite** is fully engaged on the **Wall Mount Bracket** and if required centralise in the installation location, there will be some slight adjustment left and right.

Installation- Wall Mounted Suite *Continued*.....

Finally, loosen the 4 x Screws holding the bottom 2 x L- Brackets, so that the L- Brackets can be positioned up against the wall, for marking the fixing positions. See Diagram 23.

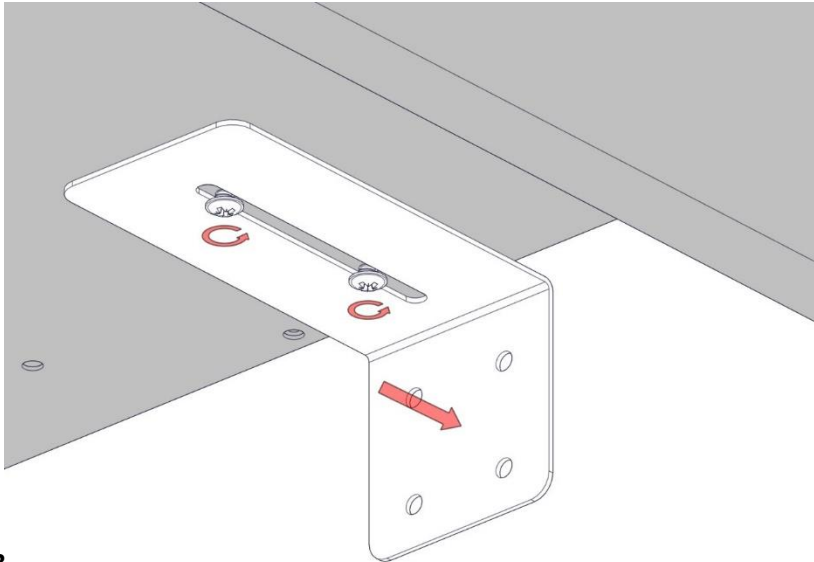


Diagram 23

Mark the fixings positions of the L- Brackets and remove the 2 x L- Brackets from the Suite. See Diagram 24.

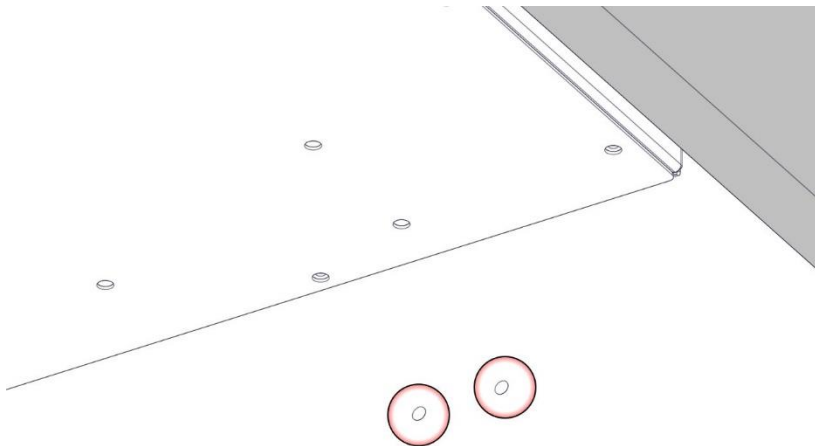


Diagram 24

Once removed, drill the fixing positions. Depending on the wall medium, it may be necessary to plug the drilled holes. See P17 'Important Note'.

Installation- Wall Mounted Suite *Continued*.....

Finally screw and secure the **2 x L- Brackets** back on the fire and then to the wall using suitable screws. See **P17** 'Important Note'.

See **Diagrams 25 & 26**

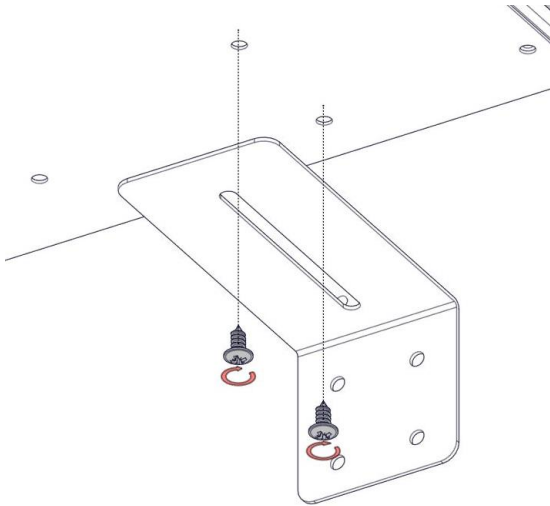


Diagram 25

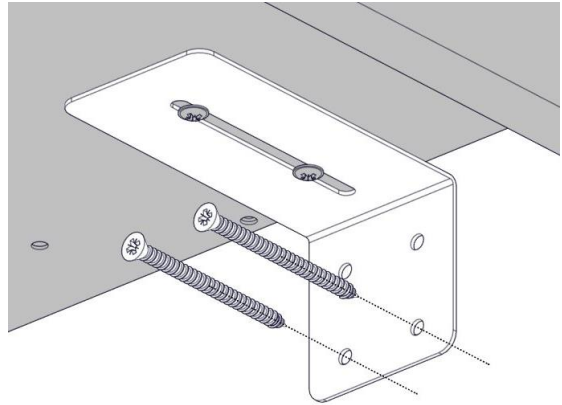
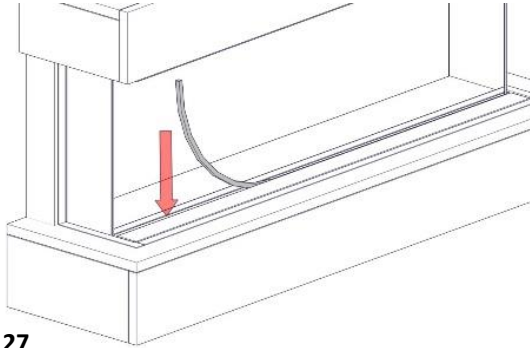


Diagram 26

The installation is now complete. The **fuel bed** can now be dressed and the **logs** positioned. See **Diagrams 27-31, P15**.

Fuel Bed Layout & Log Positioning



Tip: Before dressing the fuel bed- position the foam strip (supplied) in the channel in the base of the fire, this will help to stop the smaller fuel bed material falling into the channel during installation. See Diagram 27.

The dressing of the fuel bed can be **fully tailored** to the customers **individual tastes**. A sufficient amount of each fuel bed finishing material has been provided to cover the fuel bed in a **single type** of material.

Diagram 27

Fuel Bed Dressing- As a starting point follow the example below:

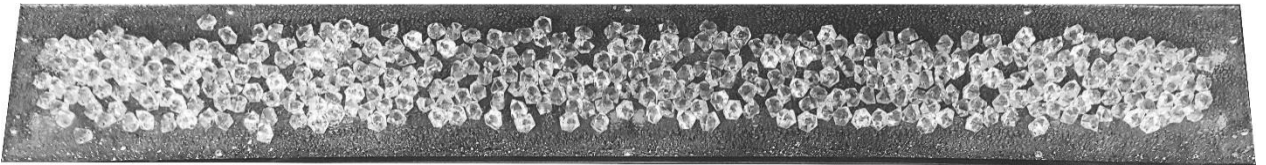


Diagram 28 - Place a large amount of **crystals** in the centre of the fuel bed- leaving a gap around the edges.

Tip- The crystals pick up light from the under bed lights to give you a realistic glowing ember effect, so we recommend using a generous amount.



Diagram 29- Fill the space around the edges of the crystals with the **pebbles**, as well as randomly in between the crystals.

Positioning the logs- As a starting point follow the example below:



Diagram 30 - Above shows an example of the **7 x** log set up for the **1000 3SL Fire** .



Diagram 31 - Above shows an example of the **5 x** log set up for the **750 3SL Fire** .

Note: The small logs for the **1000 3SL & 750 3SL Fires** are different.

Replacing the Glass

Finally the **Glass** and **2 X Glass Brackets** can be refitted, using the previously removed **2 X Screws**.

Note- Before proceeding further remove the foam strip and check the channel in the base of the fire is free of any fuel bed material.

Tip- Ensure the rear of the glass is clean before fixing in place.

With the rear of the **Glass** clean and angled forward slightly position the **Glass** in the channel in the base of the fire (1), and carefully push back into position. (2) See **Diagrams 32 & 33**.

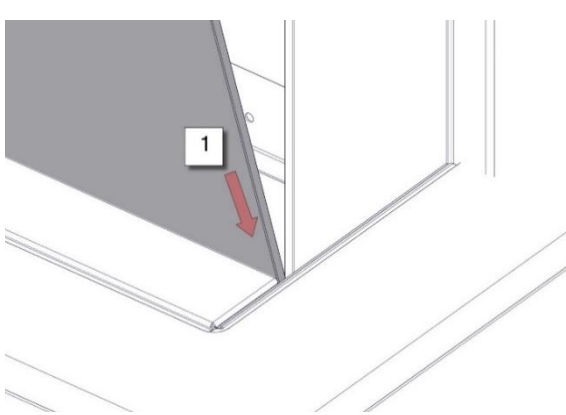


Diagram 32

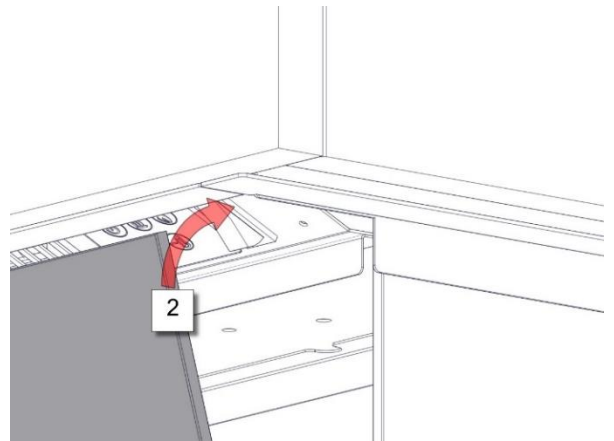


Diagram 33

Once in the correct position secure with the **2 X Screws** and **2 X Glass Brackets**.
1 X Screw and **1 x Glass Bracket** either side of the fire. See **Diagram 34**.

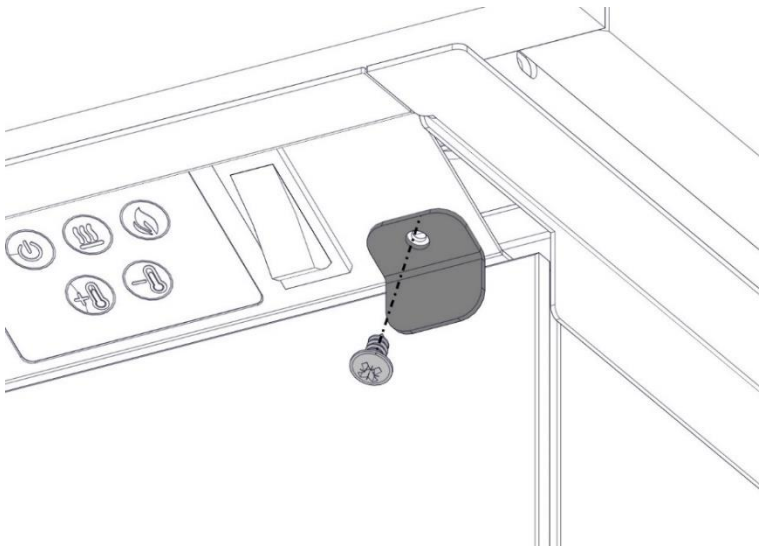


Diagram 34

The installation is now complete.

Note: Consult the separate **Fire Operating Instructions** for manual and remote operation.

Maintenance

WARNING: Before any maintenance or whilst cleaning the exterior of the fireplace, the unit should be disconnected from the power supply until it has cooled down.

Cleaning the Fire

Cleaning or polishing products are not recommended. Fingerprints or other marks on the front glass panel can be removed by a piece of soft, damp, lint-free cloth with a good quality household glass cleaner. The front glass panel should always be completely dried with a clean, lint-free cloth or paper towel.

CAUTION: Abrasive cleaners should not be used on the glass panel. Liquids should not be sprayed directly onto any surface of the unit.

Troubleshooting

Should you have any queries regarding this product please contact Customer Services on 0191 4300901 (option 4) or email us at customerservices@bemodern.co.uk

Recycling

All cardboard packing is recyclable

IMPORTANT NOTE:

Wall fixings (i.e. screws/wall plugs etc.) are not supplied as these are crucially dependent upon the type of wall and surface the Suite is going to be fixed too.

The installer is therefore responsible for ensuring that suitable fittings are used as well as individual fitting situations and environments. All mechanical fixings, for holding the Suite in position, must be secured to a solid wall or structure.