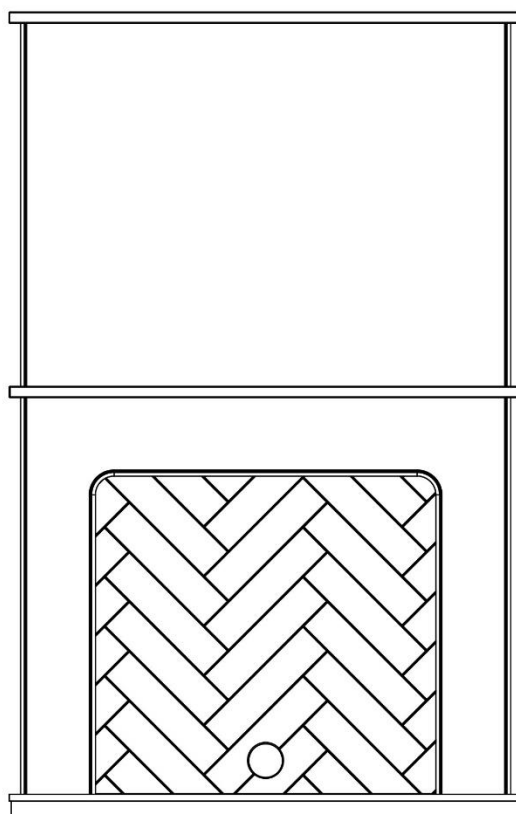
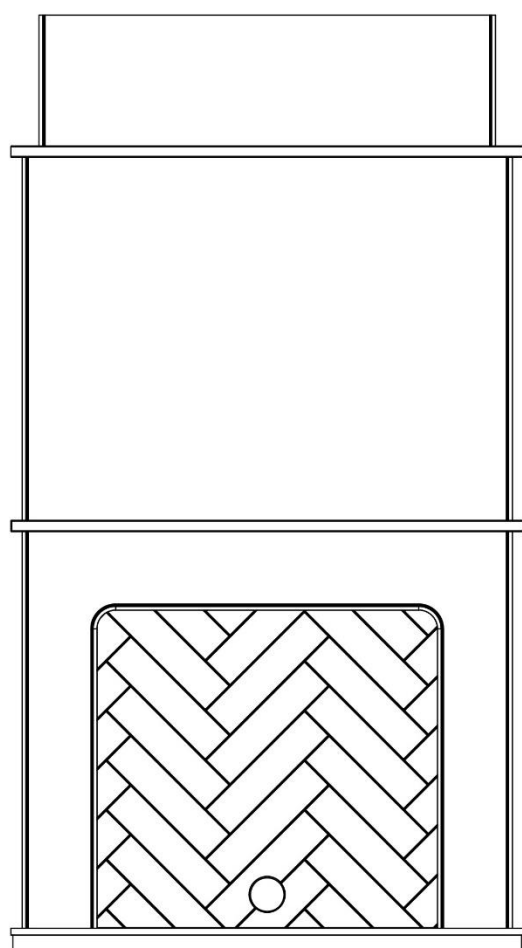


bemodern

FIRES | FIREPLACES

Instructions for installation

Chimney Breast Inglenook (With Or Without Optional Top Assembly)

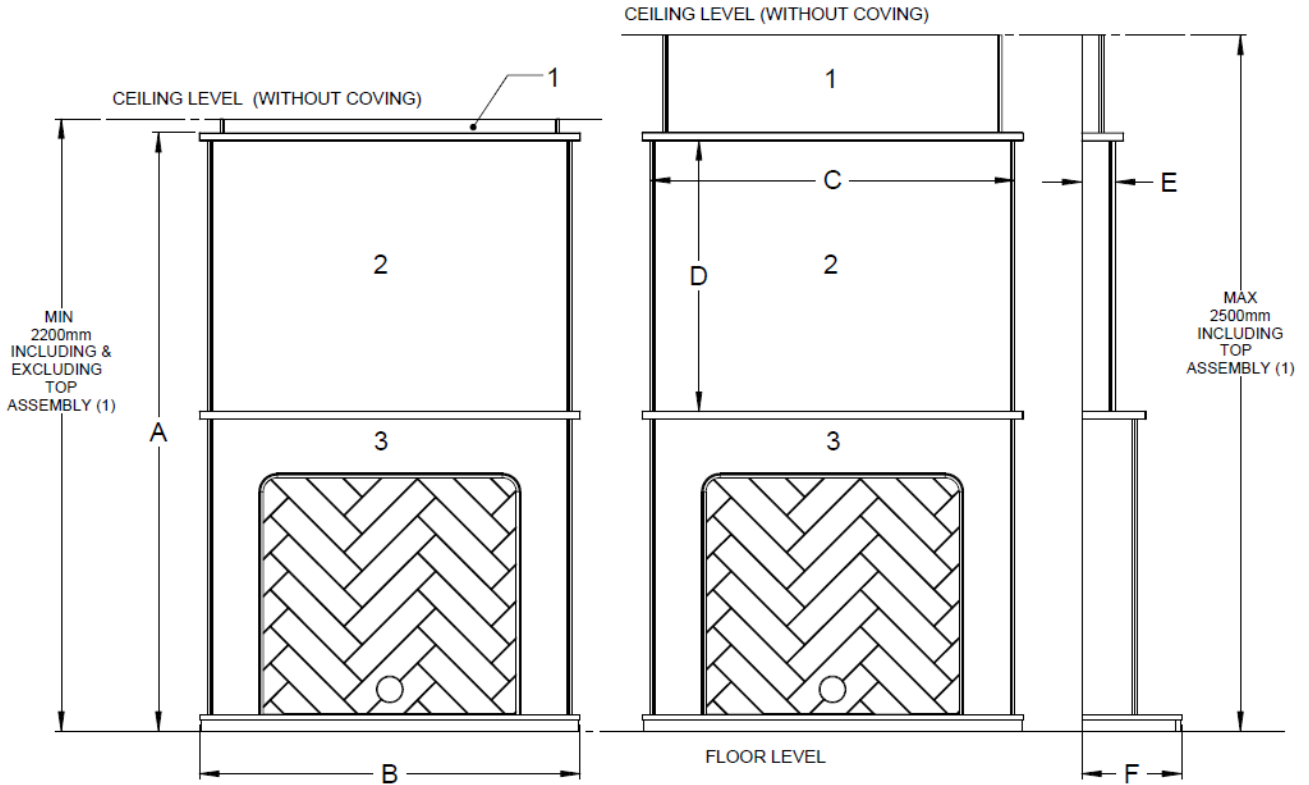


Prior to starting the installation please scan the QR code for an overview of the installation steps

Contents

Technical Specification	3
What is in the Boxes?	4
Installation – Introduction & Preparation	5
Installation – Optional Top Assembly (1)	6-7
Installation – Main Surround (3) –LED Downlights	8
Installation – Main Surround (3)	9-10
Installation – Middle Assembly (2)	11-14
Installation – Hanging A Television	15
Maintenance	16
Troubleshooting	17

Technical Specification



Note: All dimensions stated above are for installation in rooms without coving installed. The chimney breast can be installed in rooms with ceiling heights greater than the dimensions stated, however the Top Assembly (1), will not finish flush with the ceiling, should this be required. See P5, for further information. Separate instructions are provided for the following: Stove (if purchased as a suite version), Flue Pipe (if purchased as a suite version), Downlights & LED Mood Lighting.

Description	Dimensions					
	A	B	C	D	E	F
54" Chimney Breast Inglenook	2150mm	1370mm	1310mm	970mm	120mm	360mm


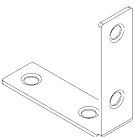



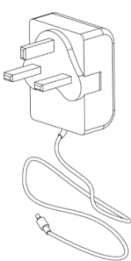

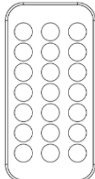

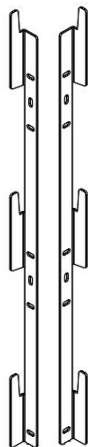
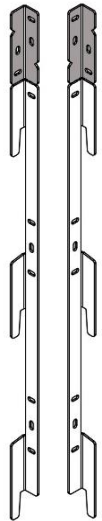
Description	Supplied Pre-assembled Parts		
	1	2	3
54" Chimney Breast Inglenook	Top Assembly (1)	Middle Assembly (2)	Main Surround (3)
Unboxed Weight (kg)	8.3Kg	24Kg	46.5Kg

What Is In The Boxes?

- Box- A** Main Surround (3)
- Box- B** Middle Assembly (2) & Top Assembly (1)
- Box- C** Stove (if purchased as a suite)
- Box- D** Flue Pipe (if purchased as a suite)

Also included in **Box-A** are the boxed **LED Downlights SH0365 & Main Surround (3)** fixing kit.

Also included in **Box-B** are the boxed **Middle Assembly (2) & Top Assembly (1)** fixing kits & **LED Mood Light** accessories.

Box- A	Box- B	
<div data-bbox="111 741 264 886" style="border: 1px solid black; padding: 5px; margin-bottom: 10px;"> <p>NEW LED DOWNLIGHTS SH0365</p> </div> <p>1 X Downlight Set</p>  <p>4 X 16mm Screws</p>  <p>2 X Mantel Brackets</p>  <p>2 X Wall Hanging Brackets</p> 	<p>Boxed Separately</p>  <p>2 X Wall Hanging Brackets</p>  <p>Approx. 1450mm Cable</p> <p>1 X Plug For LED Mood Lighting</p>  <p>1 X CR2025 3V Battery For Remote</p>  <p>1 X Remote For LED Mood Lighting</p>	<p>Boxed Separately</p> <p>8 X No.8 X 15mm Domed- Head Screws</p>   <p>2 X Wall Brackets (Short)</p>  <p>2 X Middle Assembly Brackets (Long)</p>

Unpack your new Chimney Breast and place the pre- assembled parts to one side ready for installing.

Note: Take care when positioning the pre-assembled parts, make sure the surface is clear of sharp objects and other debris that may damage the painted surfaces and edges. Consider using the surplus cardboard packaging to help protect the painted surfaces and edges whilst the pre-assembled parts are waiting to be fitted.

DO NOT dispose of the packaging until you have checked and made sure all the parts and fixings listed above are present. If anything is missing please call Customer Services on 01914300901 (Option 4) or email us at customerservices@bemodern.co.uk

Installation – Introduction & Preparation

Note: The Chimney Breast Ingleenook is a two adult person lift. A second person will be required to lift and support the pre-assembled parts during installation.

Before the Chimney Breast Ingleenook can be installed, consideration will need to be given to routing the power supply to the **Stove, LED downlights and LED Mood lighting**, as well as the **TV** should this be part of the installation. This will affect the stages of the installation process. We advise a qualified electrician conduct any electrical parts of the installation.

Note: A double wall socket is required for the operation of the Stove and Downlights. An additional single wall socket is required for the LED Mood Lighting.

Installation – Preparation

Decide on the installation location and before starting the installation ensure that there is enough space to install the Chimney Breast Ingleenook. See **P3**, for the product overall sizes.

Note: The minimum ceiling height the Chimney Breast Ingleenook can be installed with and without the Top Assembly (1) is 2200mm. See P3

Note: The installation of the Top Assembly (1) is optional and allows for the Chimney Breast Ingleenook to finish flush to the ceiling, should this be required. It is designed to work with ceiling heights between 2200-2500mm.

****Note:** If the Top Assembly (1) is required and is to be installed where the ceiling height is above 2500mm then the Wall Hanging Brackets will need to be installed at a height of 2430mm from the floor to the top edge of the bracket. At this dimension the Top Assembly (1) will be fully extended- Height 2500mm. Reduce the bracket installation height by up to 300mm (Maximum), should you wish to position the Top Assembly (1) at an alternative height.

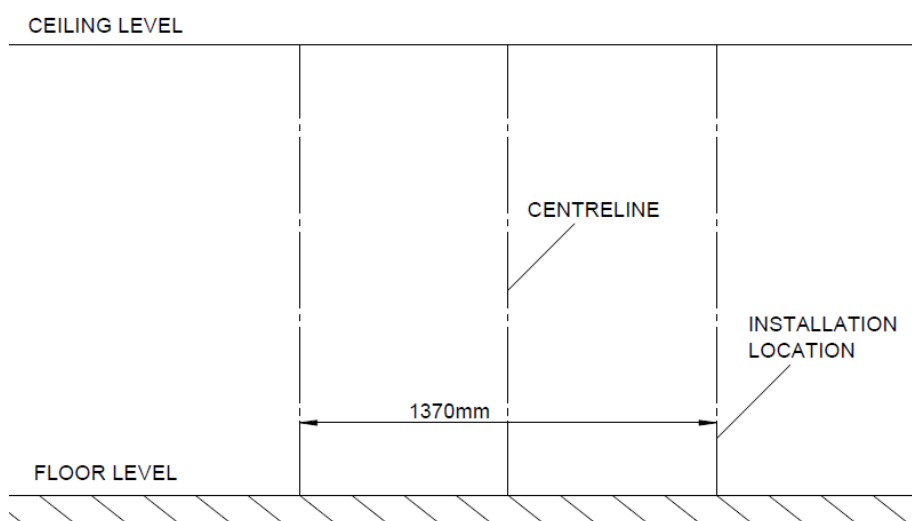


Diagram 1

Once you have decided how the **Top Assembly (1)** will be fitted, begin the installation by marking a vertical line from the floor to ceiling in the centre of the installation location.

As shown in Diagram 1.

Installation- (Optional) Top Assembly (1)

If the Top Assembly (1) is not required, please proceed to Page 8.

Locate the **1 x Top Assembly (1)** and the **2 x Wall Hanging Brackets**. (Boxed separately inside **Box B**)

Begin by measuring the inside dimension- width “**Y**” of the **Top Assembly (1)**, subtract 20mm from the width “**Y**” to give you the **Wall Hanging Brackets**- installation width “**X**”. As shown in **Diagram 2 & 3**.

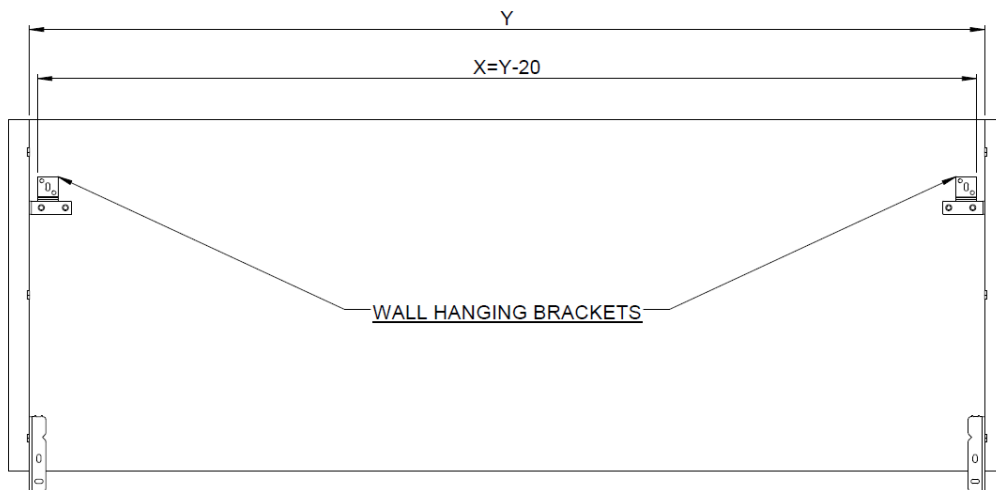


Diagram 2

Using both the ceiling and centreline as guides, mark the installation position of the **2 x Wall Hanging Brackets**, as shown in **Diagram 3**.

Alternatively, if the room height exceeds **2500mm**, install the **2 x Wall Hanging Brackets** at the desired height as detailed on **P5**, ****Note**.

Note: Ensure that the **2 x Wall Hanging Brackets** are orientated so the open part of the bracket is facing towards the floor before fixing, as shown in **Diagram 4**.

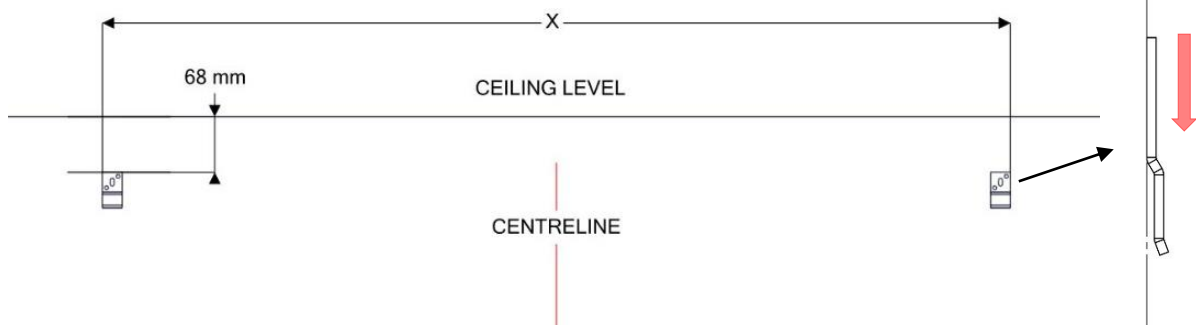


Diagram 3

Diagram 4

Once marked, drill the fixing positions. Depending on the wall medium, it may be necessary to plug the drilled holes. See **P15 'Important Note'**.

Finally screw and secure the **2 x Wall Hanging Brackets** to the wall using suitable screws. See **P15 'Important Note'**.

Installation- (Optional) Top Assembly (1) *Continued*.....

Note: The Top Assembly (1) is a two adult person lift. A second person will be required to lift and support the assembly during installation.

Lightly mark the centre of the **Top Assembly (1)**, along the bottom edge. Offer the **Top Assembly (1)** to the wall and centrally to the installation location at a height of approximately 50mm from the ceiling, ensure both the **Wall Hanging Brackets** are inside the **Top Assembly (1)**, as shown in **Diagram 5**.

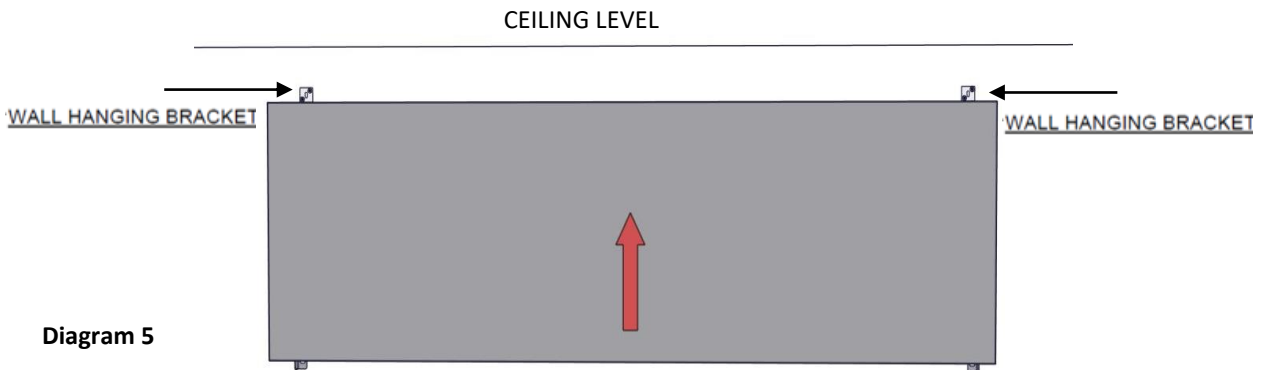


Diagram 5

Note: Ensure that the Fixing Brackets that protrude from the bottom of the Top Assembly (1) point towards the floor on installation to ensure the correct orientation. See Diagram 6

Slide the **Top Assembly (1)** up to the ceiling, ensuring that the pre-installed **2 x Mantel Brackets** on the inside of the **Top Assembly (1)** engage with the **2 x Wall Hanging Brackets**- previously fixed to the wall.

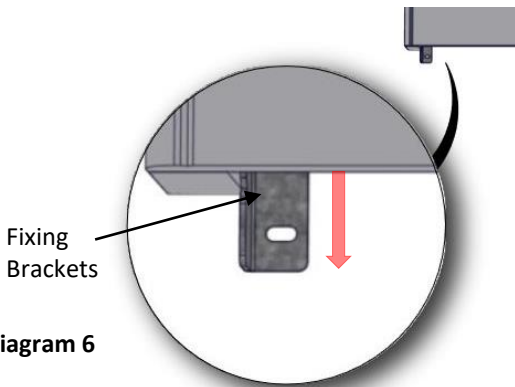


Diagram 6

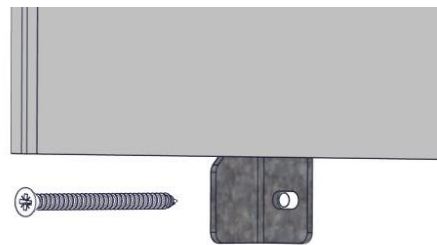


Diagram 7

Once in position, mark the fixing points in the **Fixing Brackets** onto the wall, remove the **Top Assembly (1)** by sliding the part down by approximately 50mm and releasing it from the **2 x Wall Hanging Brackets** and lift it away from the wall.

Once marked, drill the two fixing positions. Depending on the wall medium, it may be necessary to plug the drilled holes. **See P15 'Important Note'**.

Offer the **Top Assembly (1)** back to the wall centrally to the installation location at a height of approximately 50mm from the ceiling and sliding vertically up to engage with the **2 x Wall Hanging Brackets**.

Finally screw and secure the **Top Assembly (1)** to the wall using suitable screws. **See P15 'Important Note'**. **As shown in Diagram 7**.

Installation- Main Surround (3)- LED Downlights

Locate the 1 x Main Surround (3) and the LED Downlight Kit. (Box A)

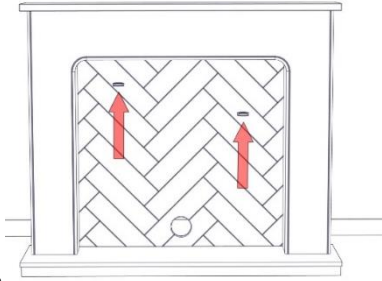


Diagram 8

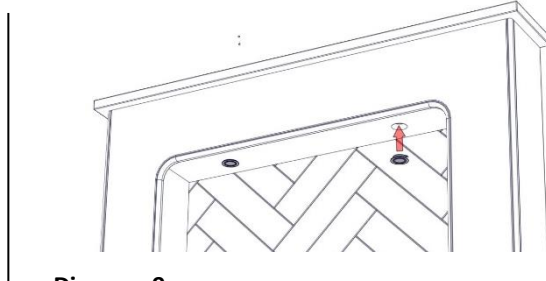


Diagram 9

Install the **LED Downlights** by feeding the wires on the **LED Downlights** through the pre-drilled 45Ø holes, once complete, continue to clip the **LED Downlights** into position. **As shown in Diagrams 8 & 9.**

Connect the wire from **1x LED Downlight** directly into the **3-Way Socket Box** and connect the wire from **1 x LED Downlight** into the **Extension Cable** and then into the **3 Way Socket Box**. Finally connect the **3-Way Socket Box** into the **LED Driver**. For further information consult the separate instruction in the **LED Downlight** box.

Note: Before proceeding further plug the LED Downlights into a power supply and confirm that the downlights are operating correctly. Should you experience any issues, please call Customer Services on 01914300901 (Option 4) or email us at customerservices@bemodern.co.uk, for further assistance.

Note: After the LED Downlights are connected please take care to route the power cable so as to avoid trapping it in the following stages, also ensure that the cable is routed on the correct side of the suite for power access. Please ensure that the power connection is accessible after installation.

Installation- Main Surround (3)- Preparation

Note: The Main Surround (3) is a two adult person lift. A second person will be required to lift and support the assembly during installation.

Locate and trail fit the **Main Surround (3)** in the installation position ensuring that the **Main Surround (3)** is central to the vertical centreline, previously drawn and remove any obstructions, i.e. remove the skirting and cut to shape to allow the **Main Surround (3)** to finish flush to the wall. **As shown in Diagrams 10 & 11.**

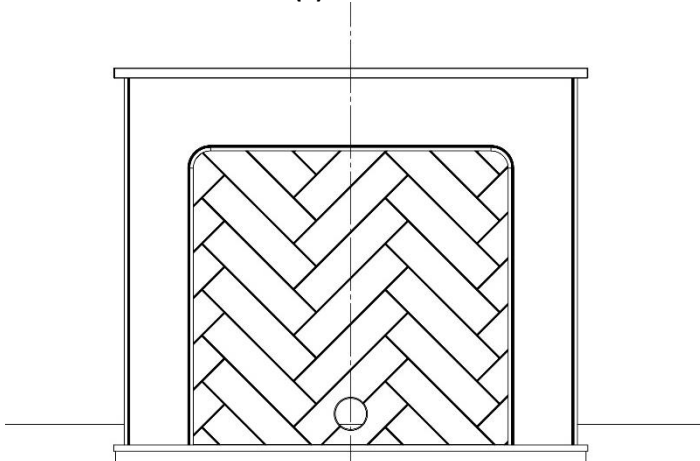


Diagram 10

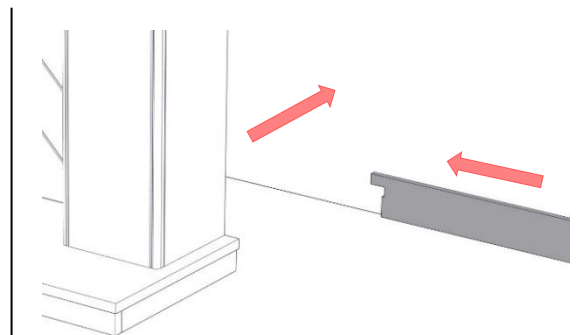


Diagram 11

Installation- Main Surround (3)

Locate the **2 X Wall Hanging Brackets**, **2 X Mantel Brackets** and **4 x 16mm Screws**. (Bagged separately in **Box-A**)

Fix the **2 x Mantel Brackets** to the inside of each surround leg using the **4 x 16mm Screws** supplied, making sure that the brackets are flush with the rear of each surround leg. **As shown in Diagram 12.**

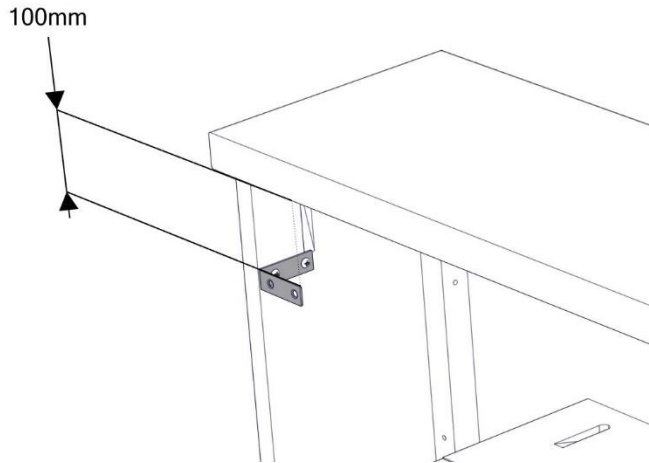


Diagram 12

Measure the inside dimension- width "**W**" of the **Main Surround (3)**- subtract **20mm** from the width "**W**" to give you the **Wall Hanging Brackets**- installation width "**X**". **As shown in Diagram 13.**

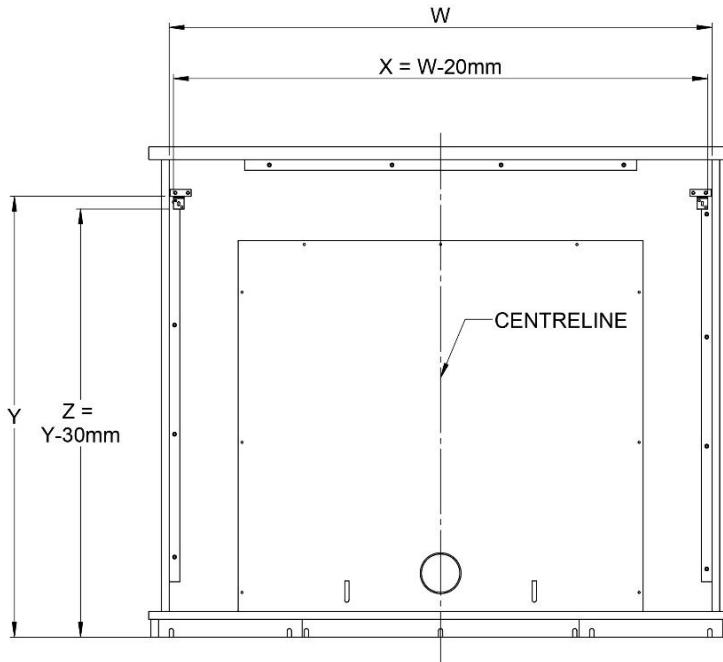


Diagram 13

Measure the dimension "**Y**" from the bottom of the suite to the **underside** of the L bracket attached to the legs of the suite, subtract **30mm** from length "**Y**" to give you the **Wall Hanging Brackets**, installation height, "**Z**". **As shown in Diagram 13.**

Installation- Main Surround (3) *continued*.....

Once dimensions **X** and **Y** have been calculated, carefully mark out the positions of the **2 x Wall Hanging Brackets**, working out from the previous drawn centre line. **As shown in Diagram 14.**

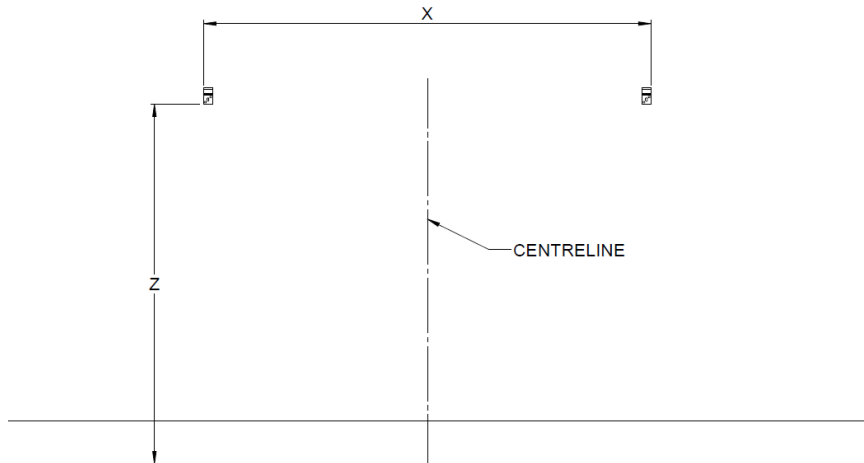


Diagram 14

Once marked, drill the fixing positions. Depending on the wall medium, it may be necessary to plug the drilled holes. **See P15 'Important Note'.**

Finally screw and secure the **2 x Wall Hanging Brackets** to the wall using suitable screws. **See P15 'Important Note'.**

Note: The Main Surround (3) is a two adult person lift. A second person will be required to lift and support the assembly during installation.

Note: Before proceeding further, consider how the cables for the Stove and LED Downlights will be routed, care must be taken not to crush or damage the cables when positioning the Main Surround (3).

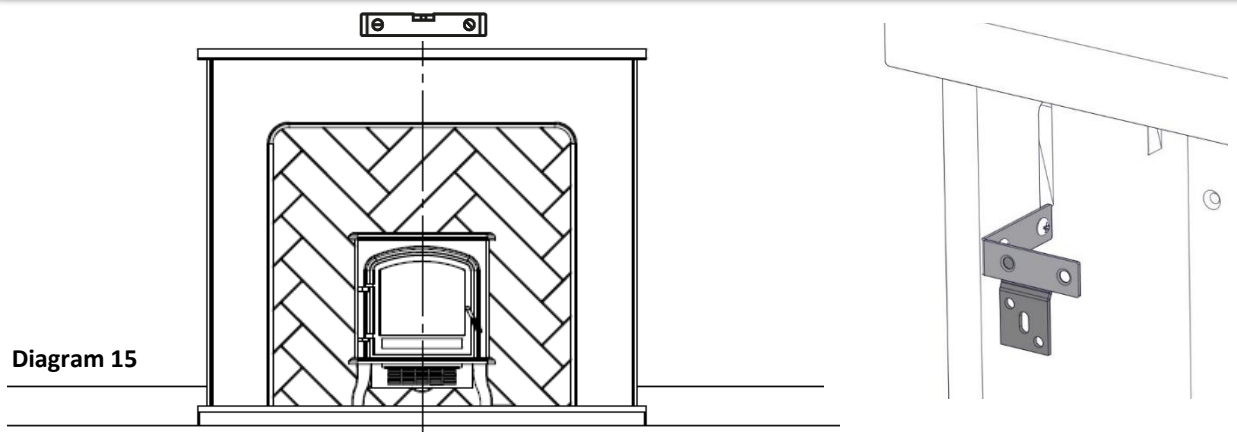


Diagram 15

Once the cables have been routed correctly, lift the mantel onto the **Wall Hanging Brackets** and confirm the **Main Surround (3)** is securely held in place, ensuring it is central to the installation location and **level**.

As shown in Diagram 15.

Note: In the unlikely event of the stove or downlights requiring repair or replacement, it may be necessary to remove the whole mantel from the wall position, this can be done by lifting the mantel straight up, off the fixing brackets located at the rear. To replace the suite please follow the steps above.

NB. Should a defect be discovered and in the event of a suite being permanently fixed to the wall the householder will be responsible for any costs incurred.

Installation- Middle Assembly (2)

Note: If installing a TV on the front of Middle Assembly (2)- Please read P15 before proceeding further.

Note: It is critical to ensure that the Main Surround (3) is LEVEL before proceeding further, this will effect the installation of the Middle Assembly (2).

Once the **Main Surround (3)** is level, locate the **2 x Middle Assembly Brackets (long version)** of the brackets, boxed separately inside **Box B**) and fix to the correct side of the **Middle Assembly (2)**, using the **8 x No.8 x 15mm Domed-Head Screws** supplied.

As a starting point the brackets need to be fixed **6mm** in, from the rear edge of **Middle Assembly (2)**. As shown in **Diagram 16**. Use the horizontal slots to fix through, as this will allow for adjustment later, if required. See **P17**.

Tip: The **2 x Middle Assembly Brackets** are handed, ensure that the **Left and Right Hand Middle Assembly Brackets** are orientated so that the “fingers” are pointing vertically down. As shown in **Diagrams 16 & 17**.

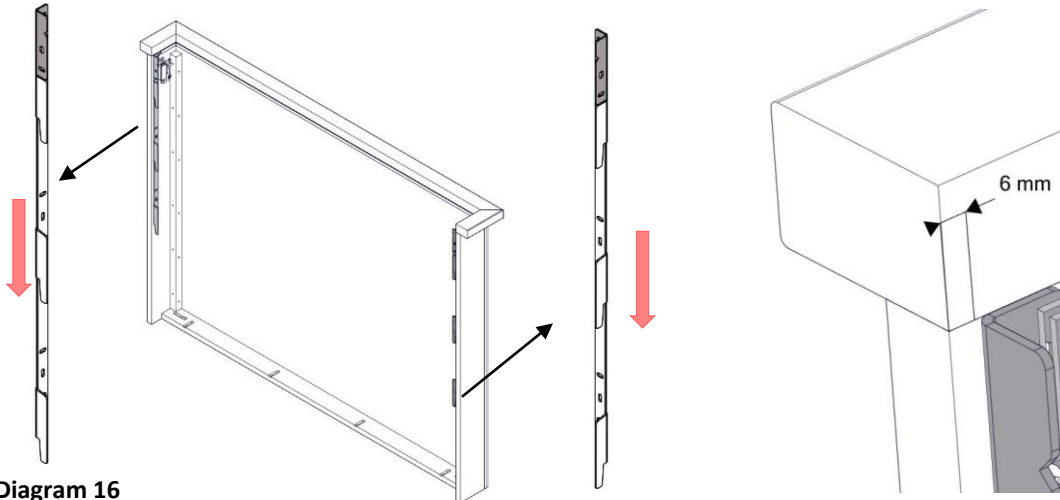


Diagram 16

Note: Before proceeding further double check the measurements, as shown in **Diagram 17**, and adjust accordingly if required.

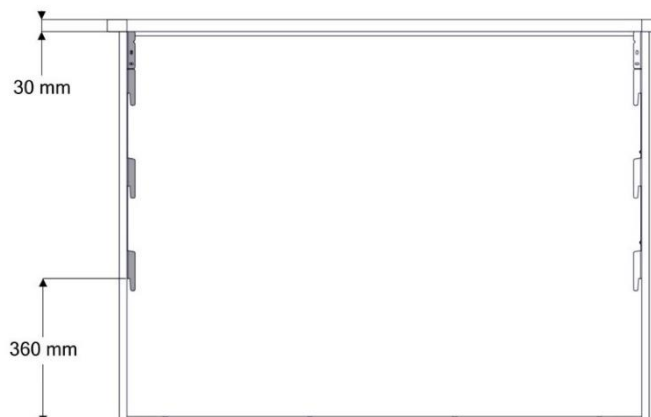


Diagram 17

Installation- Middle Assembly (2) *Continued*.....

Locate the **2 x Wall Brackets**- (short version of the brackets, boxed separately inside **Box B**)

Tip: The 2 x Wall Brackets are handed, ensure that the **Left and Right Hand Wall Brackets** are orientated so that the “fingers” are pointing vertically up and are on the outside of the installation. As shown in **Diagram 18**.

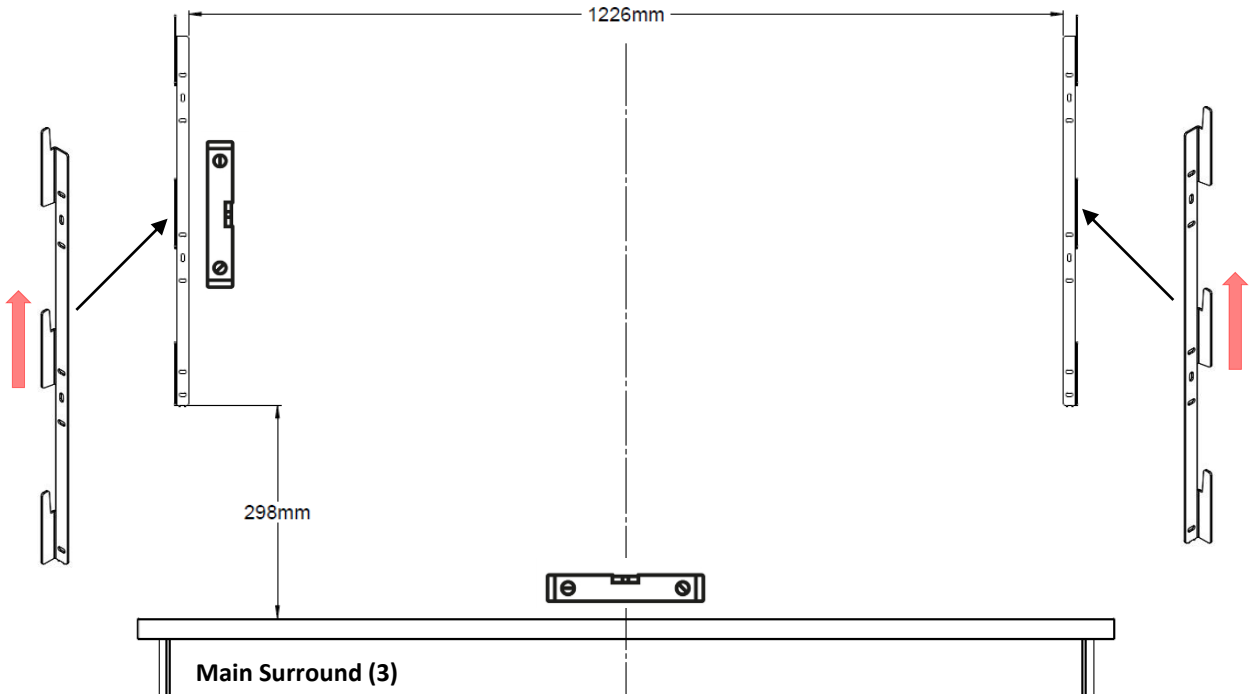


Diagram 18

Using the centreline as a guide, the setting out dimensions, **as shown in Diagram 18** and a spirit level, proceed to mark out the fixing locations of the left-hand and right-hand **Wall Brackets**.

Note: A minimum of 3 screw points per bracket is recommended.

Once marked, drill the fixing positions. Depending on the wall medium, it may be necessary to plug the drilled holes. **See P15 ‘Important Note’.**

Finally screw and secure the **2 X Wall Brackets**- to the wall using suitable screws, ensuring they are aligned vertically using a spirit level. **See P15 ‘Important Note’.**

Installation- Middle Assembly (2) *Continued*.....

Note-The LED Mood Lights and Driver come pre-installed on the Middle Assembly (2)

Place the **Middle Assembly (2)**, as close as possible, in front of the **Main Surround (3)** and ensure the **LED Mood Lighting** power cable is routed and connected to a power supply. **As shown in Diagram 19.**

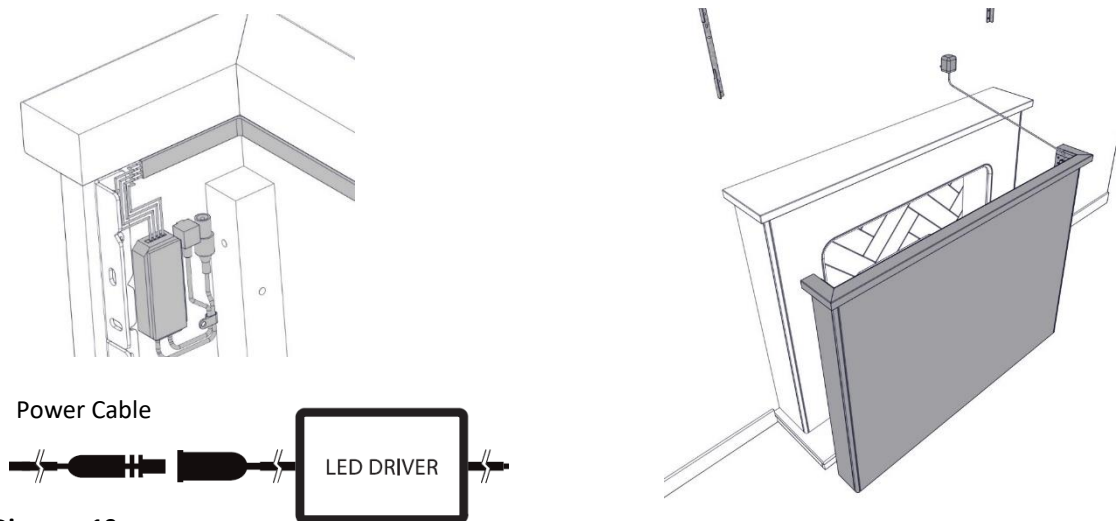


Diagram 19

Tip: Masking tape the LED Mood Lighting power cable around the centre of Top Assembly (1), before lifting into position, this will help keep the cable out of the way during installation of the Middle Assembly (2).

Note: The Middle Assembly (2) is a two adult person lift. A second person will be required to lift and support the assembly during installation.

With a person standing either side of the **Middle Assembly (2)**, carefully lift the **Middle Assembly (2)** on to the top of the **Main Surround (3)**, positioning it as close to the wall as possible and centralising on the top of the **Main Surround (3)**. **As shown in Diagrams 20 & 21.**

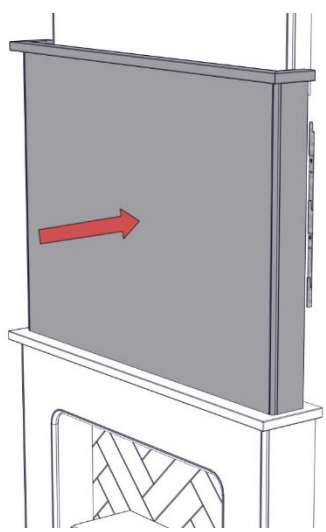


Diagram 20

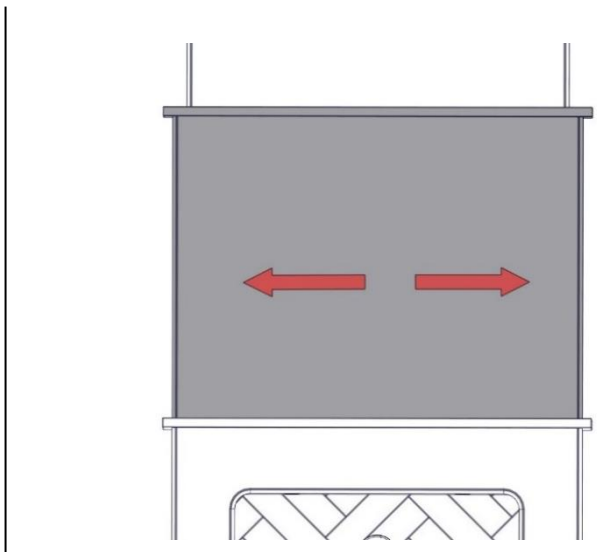


Diagram 21

Installation- Middle Assembly (2) Continued.....

Lift the **Middle Assembly (2)** vertically up approximately **40mm** and back towards the wall so the **Left-hand and Right-hand Middle Assembly Brackets** slot over the **2 x Wall Brackets** attached to the **Wall**.
As shown in **Diagram 22**.

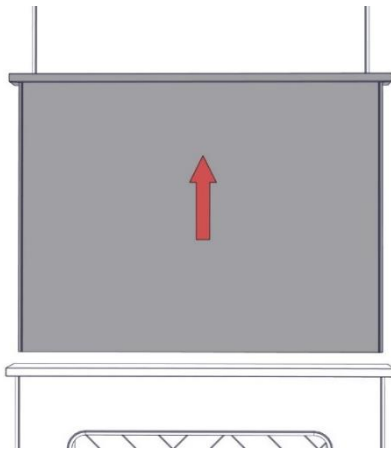


Diagram 22

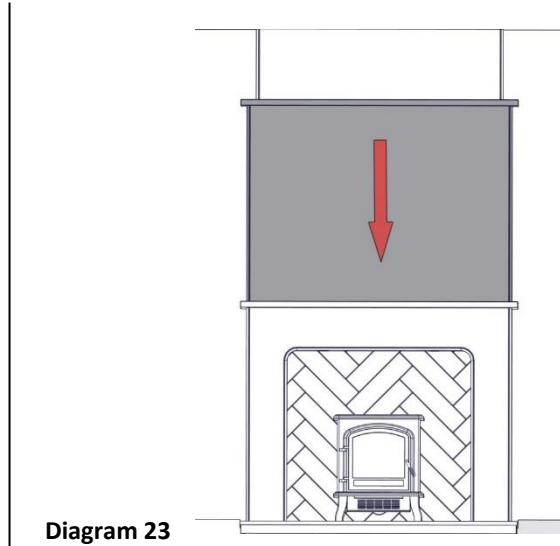


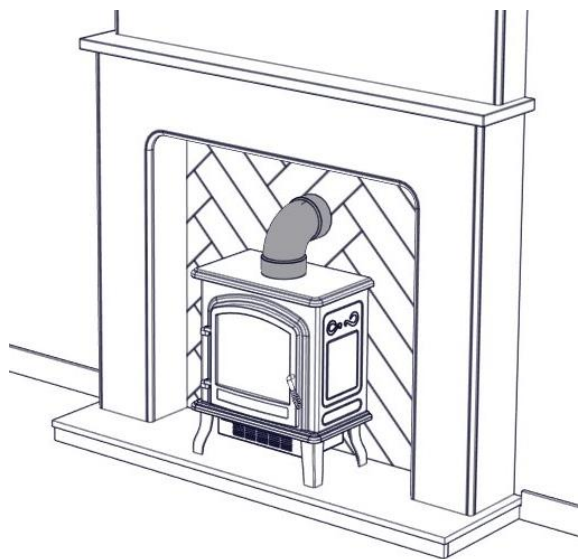
Diagram 23

Lower the **Middle Assembly (2)** down, the installation is complete when the **Middle Assembly (2)** meets the top of **Main Surround (3)**. As shown in **Diagram 23**.

Note: For any problems during installation, please refer to **Troubleshooting P17** for additional advice before contacting customer services.

Installation- Finishing Touches

If you have purchased the **Decorative Flue Pipe**- follow the separate instructions supplied should a permanent fix be required- alternatively the **Decorative Flue Pipe** can be positioned loose on the top of the stove.



Installation: Hanging A Television

Note: Please follow the manufacturers individual instruction for TV hanging, however for guidance please see below:

The **Chimney Breast Inglenook** can accommodate **TV's** up to **55"** in size. Always double check the **TV** size against the dimensions supplied on **P3**, before beginning the installation.

If you are planning to mount a **TV** to the face of **Middle Assembly (2)**- The **TV Hanging Bracket** and **TV** should weigh **no more than 25Kg**- should the weight exceed this, consider using an **TV Arm Bracket** instead, that can be fixed directly to the wall behind.

Depending on the installation requirements, consider cutting an access hole in the face of **Middle Assembly (2)**- to allow access to any power cable connections, that may be situated behind.

To cut an access hole, we suggest laying the **Middle Assembly (2)** flat on the floor- To avoid damage **DO NOT** place the painted side down, instead lay it on its back, supporting the rear face, with the **painted side facing up**.

Next, plan the layout out of the **TV** and **TV Hanging Bracket** accordingly, considering that any access hole will need to be located behind the **TV** and **TV Hanging Bracket** installation, so it is hidden behind the **TV** once installed.

Once planned cut the access hole into the **Middle Assembly (2)**- using appropriate tools, ensuring that there is sufficient access to any power and cable connections behind the **Middle Assembly (2)**- once installed.

Fix the **TV Hanging Bracket** to the **Middle Assembly (2)**, as per manufacturers instructions.

Once attached, place the **TV** to one side in a safe place and proceed with the installation of the **Middle Assembly (2)**, as described on **P11-14**.

Once the **Middle Assembly (2)** and **TV Hanging Bracket** are securely fitted in position, proceed with hanging the **TV** as per the **TV** and **Bracket** manufacturers instructions.

Note: In the unlikely event that the Chimney Breast Inglenook requires working on by a member of our maintenance team- it will be the customers responsibility to remove the TV from the Chimney Breast Inglenook to provide the necessary access required and to avoid damage to the appliance.

IMPORTANT NOTE:

Wall fixings (i.e. screws/wall plugs etc.) are not supplied as these are crucially dependent upon the type of wall and surface the Chimney Breast Inglenook is going to be fixed too.

The installer is therefore responsible for ensuring that suitable fittings are used as well as individual fitting situations and environments. All mechanical fixings, for holding the Chimney Breast Inglenook in position, must be secured to a solid wall or structure.

Maintenance

WARNING: Before any maintenance or whilst cleaning the exterior of the fireplace, the unit should be disconnected from the power supply until it has cooled down.

Cleaning the Fire

Cleaning or polishing products are not recommended. Fingerprints or other marks on the front glass panel can be removed by using a piece of soft, damp, lint-free cloth with a good quality household glass cleaner. The front glass panel should always be completely dried with a clean, lint-free cloth or paper towel.

CAUTION: Abrasive cleaners should not be used on the glass panel. Liquids should not be sprayed directly onto any surface of the unit.

Cleaning the Furniture

Wipe up spills immediately with a clean damp cloth. When cleaning the furniture, we also recommend using a clean damp cloth. Avoid using cleaners or polishes that contain abrasives, solvents, acid and ammonia.

Troubleshooting

Should you have any queries regarding this product please contact Customer Services on 01914300901 (Option 4) or email us at customerservices@bemodern.co.uk

Recycling

All cardboard packing is recyclable.

Troubleshooting

Problem/Query	Solution
What is the lowest ceiling height that the product can be installed in?	2200mm-. See Page 3
Can the product be installed right up the ceiling?	Yes. (Min ceiling height 2200mm, Max ceiling height 2500mm)
There are parts or fixings missing.	Please call customer services on – 01914300901 (Option 4)
What kind of electrical supply will I need?	A double wall socket is required for the operation of the Stove and LED Downlights . An additional single socket is required for the LED Mood Lighting . If installing a TV consider the extra electrical supply required for this appliance. We advise a qualified electrician conduct any electrical parts of the installation.
The LED Mood Lighting is not working or visible.	Follow the separate LED Mood Lighting instructions.
The LED Downlights are not working or visible.	Follow the separate LED Downlight instructions.
The Stove is not working	Follow the separate Stove instructions.
Are wall fixings included?	Wall fixings (i.e. screws/wall plugs etc.) are not supplied as these are crucially dependent upon the type of wall and surface the chimney breast is going to be fixed too. The installer is therefore responsible for ensuring that suitable fittings are used as well as individual fitting situations and environments. All mechanical fixings, for holding the chimney breast in position, must be secured to a solid wall or structure.
Adjustment of Middle Assembly (2) to centrally position.	The brackets have some small adjustment left and right should you wish to adjust the position of the Middle Assembly (2) . This can be achieved by tapping the side of the Middle Assembly (2) , with the palm of your hand. If this does not solve the problem remove the Middle Assembly (2) and double check over the measurements on P11 -14 and make any adjustments necessary.
The Middle Assembly (2) is not sitting flush to the wall.	The Middle Assembly (2) finish to the wall is very much dependant on the flatness of the wall you are fixing it to. It is normal to have a small shadow line between The Middle Assembly (2) and the wall after installation. If you wish to try and reduce the gap, remove the Middle Assembly (2) and adjust the position of the brackets previously attached to the Middle Assembly (2) , not the wall. See P11 .