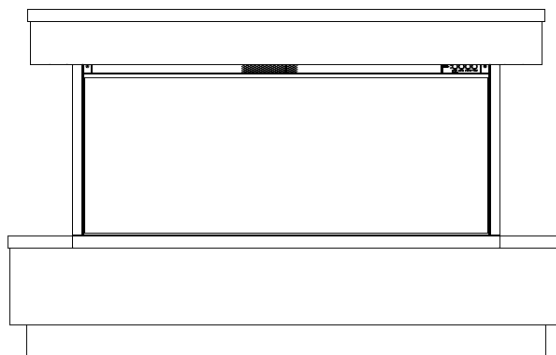
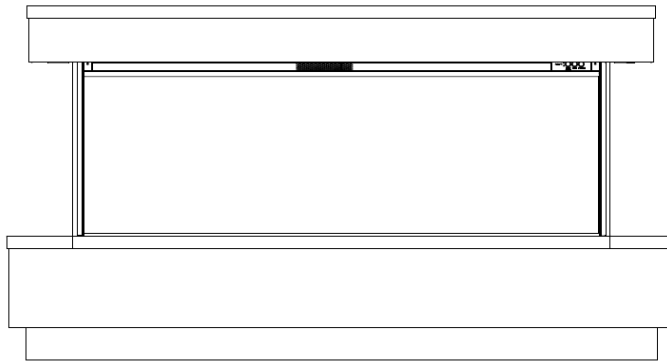


**P R Y Z M**  
REVOLUTIONIZING FLAMES

**54" & 64" Verdant Marble Suites:  
To Suit 1000-BSL & 1250-BSL Arteon Fires**



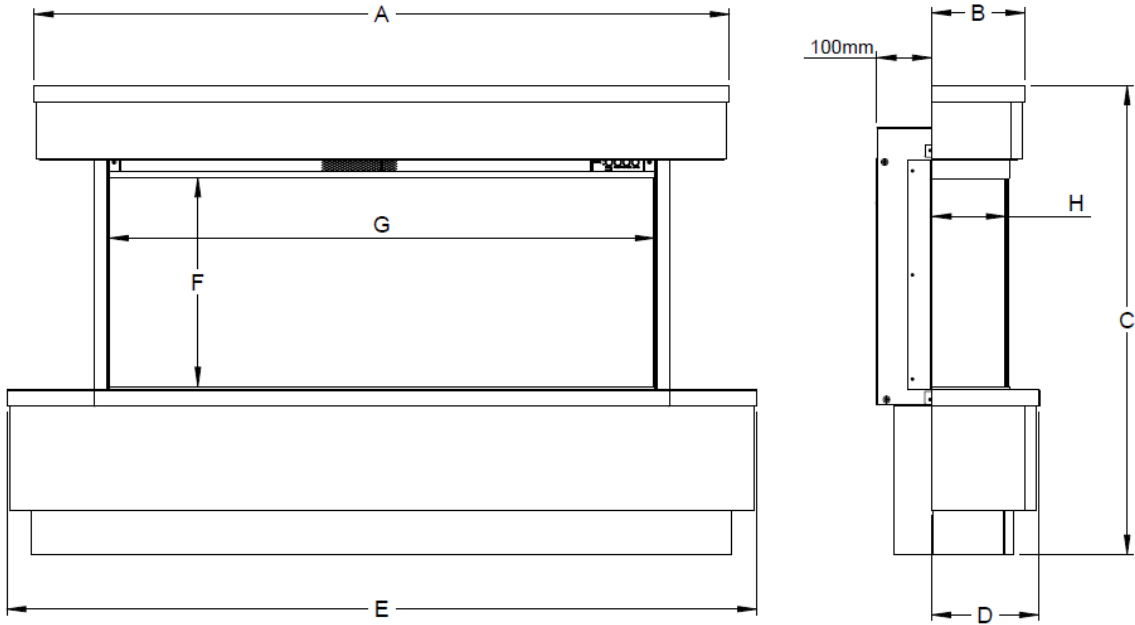
**Instructions for Installation**

## Contents

---

Technical Specification	3
What is in the box (s)/ supplied	4-5
Installation – Introduction & Installation – Fire Preparation	6
Installation – Fire Preparation <i>continued</i>	7-8
Installation- Pre-fabricated Wall/ Masonry Wall	9-10
Installation – Assembled Base	11
Installation – Fire	12
Installation – Assembled Top	13
Maintenance	14
Troubleshooting	15

## Technical Specification



Fire	Surround	Logs	Dimensions (mm)				
			A	B	C	D	E
<b>ARTEON PRYZM 5D 1000 3SL</b>	<b>54" Verdant Marble Floor Standing</b>	6	1270	171	856	196	1370
<b>ARTEON PRYZM 5D 1250 3SL</b>	<b>64" Verdant Marble Floor Standing</b>	8	1520	196	856	221	1620

Fire	Visible Glass Area (mm)		
	F	G	H
<b>ARTEON PRYZM 5D 1000 3SL</b>	995	380	140
<b>ARTEON PRYZM 5D 1250 3SL</b>	1245	380	165

**Note:** The **Arteon** Fire and **Verdant** Marble Surrounds are supplied separately- Light Assembly of the **Arteon** Fire & the **Verdant** Surrounds is required- Please follow the steps detailed on the following pages.

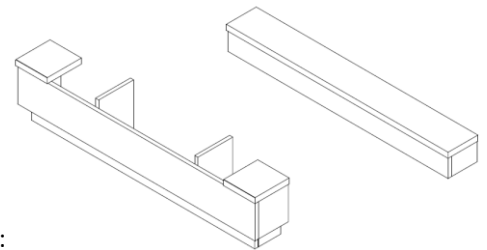
## What is in the box(s) / supplied

### Box- 050164 – (1000-3SL)

Quantity	Description	Quantity	Description
1	ARTEON PRYZM 1000-3SL- Electric Fire Engine	1	Rear Bracket ( <b>Not Required For This Installation</b> )
6	Logs (Small Box Inside Fire)	1	Fire Remote Control & 2 x AAA Batteries (Large Box Inside Fire)
2	Bags of Crystals (Large Box Inside Fire)	4	Short Side Brackets ( <b>Not Required For This Installation</b> )
3	Bags of Pebbles (Large Box Inside Fire)	2	Long Side Brackets ( <b>Not Required For This Installation</b> )
2	Bags of Bark (Large Box Inside Fire)	1	Power Cable, Plug & IEC (1.8M) (Large Box Inside Fire)
2	Bags of Grey Slate (Large Box Inside Fire)	1	Fire Operating Instruction- P17-24

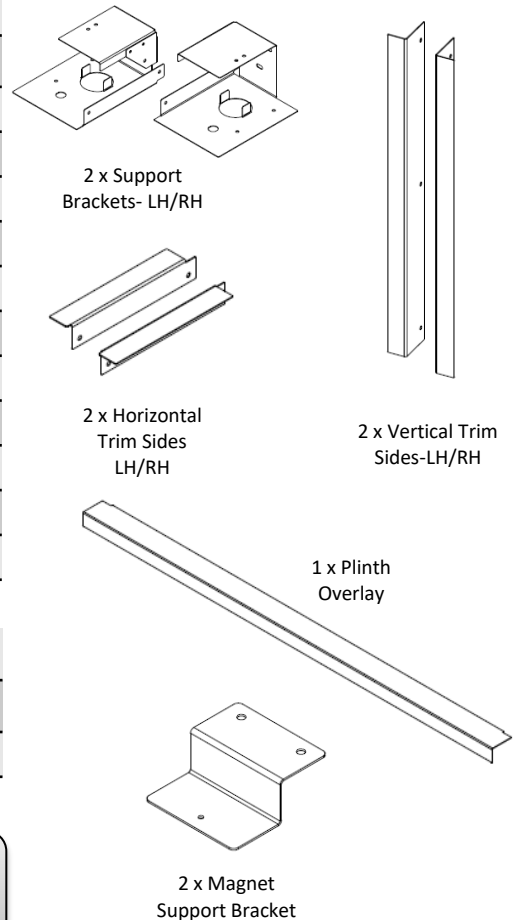
### 062944 (to suit the 1000-3SL)

Quantity	Description
1	Assembled Marble Top
1	Assembled Marble Base- with pre-installed LED Mood Light Set, 830mm Fly Lead & Fixing Kit. ( <b>Bagged to the inside of the surround.</b> )



Also supplied with **062944** are **2 x** smaller boxes containing the following:

Box A- 063010	
Quantity	Description
1	Marble Surround Installation Instruction
2	Support Brackets - LH/RH
2	Vertical Trim Sides - LH/RH
2	Horizontal Trim Sides - LH/RH
1	Plinth Overlay
2	Magnet Support Bracket
2	Magnets
2	No.4 X 5/8" (2.8mm x 12.7mm) Screws (Use With Magnets)
1	Downlight 2m Extension Cable ( White Cable)
1	Downlight Extension Cable Instruction
4	No.6 x 1/2" (3.5mm x 15.88mm) Screws (Use with Support Brackets)



Box B- 003115	
Quantity	Description
1	LED Downlight Kit with sensor

Please ensure all fixings are present before commencing installation. If anything is missing please call Customer Services on 01914300901 (Option 4) or email us at customerservices@bemodern.co.uk

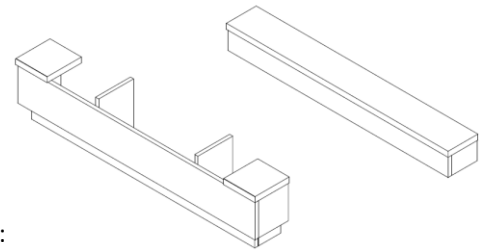
## What is in the box(s) / supplied

### Box- 050172- (1250-3SL)

Quantity	Description	Quantity	Description
1	ARTEON PRYZM 1250-3SL- Electric Fire Engine	1	Rear Bracket ( <b>Not Required For This Installation</b> )
8	Logs ( <b>Small Box Inside Fire</b> )	1	Fire Remote Control & 2 x AAA Batteries ( <b>Large Box Inside Fire</b> )
3	Bags of Crystals,( <b>Large Box Inside Fire</b> )	4	Short Side Brackets ( <b>Not Required For This Installation</b> )
3	Bags of Pebbles ( <b>Large Box Inside Fire</b> )	2	Long Side Brackets ( <b>Not Required For This Installation</b> )
3	Bags of Bark ( <b>Large Box Inside Fire</b> )	1	Power Cable, Plug & IEC (1.8M) ( <b>Large Box Inside Fire</b> )
3	Bags of Grey Slate ( <b>Large Box Inside Fire</b> )	1	Fire Operating Instructions- <b>P17-24</b>

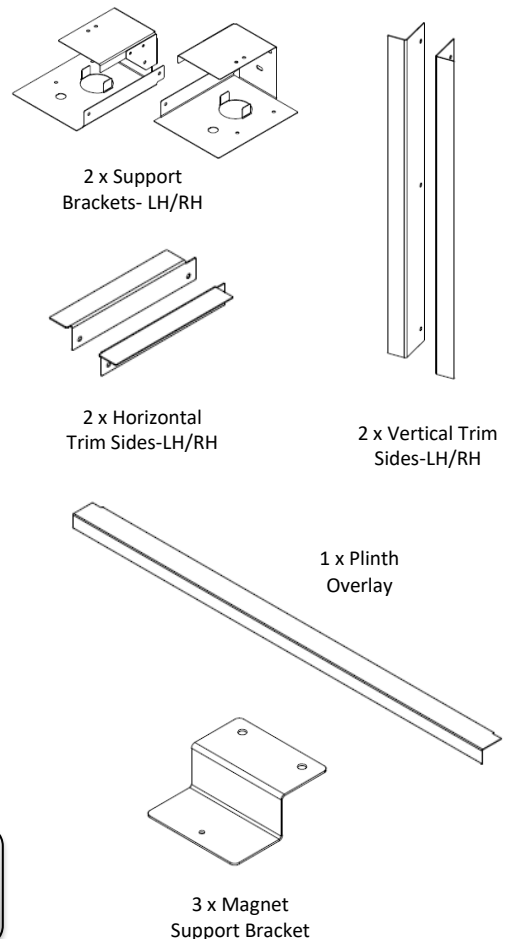
### 063045 (to suit the 1250-3SL)

Quantity	Description
1	Assembled Marble Top
1	Assembled Marble Base- with pre-installed LED Mood Light Set, 830mm Fly Lead & Fixing Kit. ( <b>Bagged to the inside of the surround.</b> )



Also supplied with **063045** are **2 x** smaller boxes containing the following:

Box A- 063061	
Quantity	Description
1	Marble Surround Installation Instruction
2	Support Brackets - LH/RH
2	Vertical Trim Sides - LH/RH
2	Horizontal Trim Sides - LH/RH
1	Plinth Overlay
3	Magnet Support Bracket
3	Magnets
3	No.4 X 5/8" (2.8mm x 12.7mm) Screws (Use With Magnets)
1	Downlight <b>2m</b> Extension Cable ( White Cable)
1	Downlight <b>2m</b> Extension Cable Instruction
4	No.6 x 1/2" (3.5mm x 15.88mm) Screws (Use with Support Brackets)



Box B- 003115	
Quantity	Description
1	LED Downlight Kit with sensor

Please ensure all fixings are present before commencing installation. If anything is missing please call Customer Services on 01914300901 (Option 4) or email us at customerservices@bemodern.co.uk

## Installation – Introduction

**Note: The surround and fire are a two adult person lift. A second person will be required to lift and support the surround and fire during installation.**

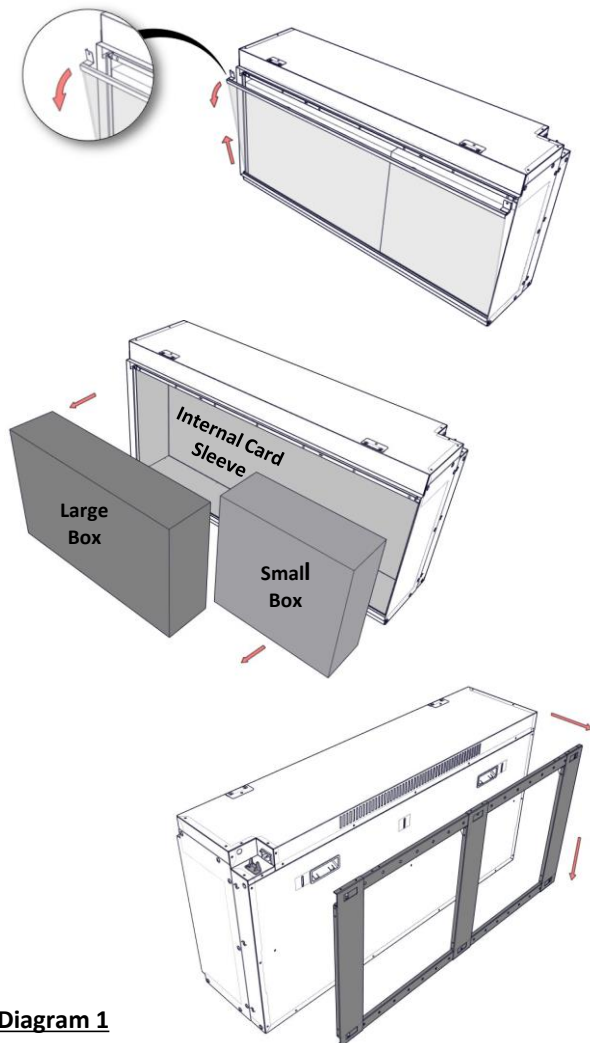
Before the surround and fire can be installed, consideration will need to be given on routing the power supply for the fire. This will affect the stages of the installation process. We advise a qualified electrician conduct any electrical parts of the installation.

**Note: A double socket is required for the operation of the Fire and the LED Downlights.**

Unpack your new suite- **DO NOT** dispose of the packaging until you have checked and made sure all the parts and fixings listed on **Pages 4 & 5** are present. **Tip:** To help avoid damage of the assembled parts place them on the surplus packaging, whilst they are waiting to be installed.

**Note: This installation guide is detailed for both 54" and 64" sized surrounds so please familiarise yourself with the model you have purchased before beginning installation.**

## Installation – Fire Preparation



**Diagram 1**

**Preparing the fire - See the separate Fire Instructions.**

Depending on the version purchased, locate the box containing the **Fire 050164** or **050172** and locate the separate **Fire Operating Instructions**.

Please refer to **Page 8-9**, in the separate **Fire Operating Instructions** and follow the steps to remove the **Glass**, **Rear Bracket** and the internal **Cardboard Boxes**.

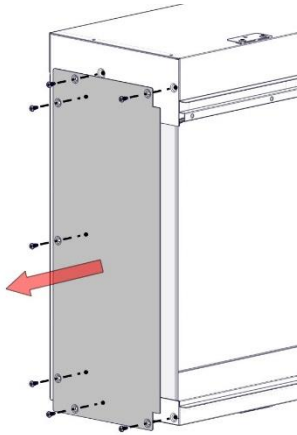
Once the **Cardboard Boxes** have been removed remember to check the contents, as detailed on **Page 7**, in the separate **Fire Operating Instructions**.

**Note: The Brackets removed from the fire and supplied inside the fire are no longer required and can be discarded or kept somewhere safe should you require them in the future.**

Place all other components safely to one side as these will be required later during the installation.

**Note: The fire is a two adult person lift.**

## Installation – Fire Preparation *continued*.....

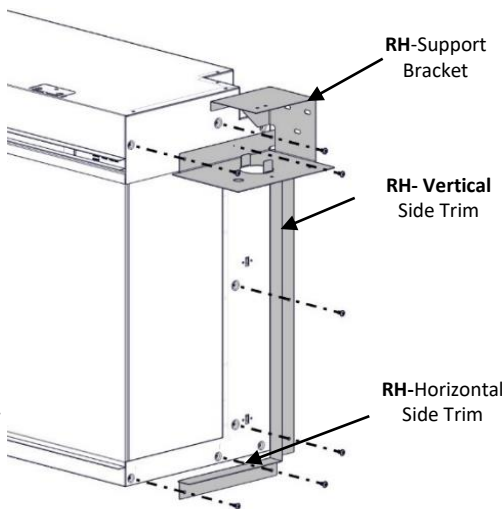


**Diagram 2**  
**(LH Side**  
**Shown)**

The fire comes out the box, set up for a 1 sided installation.

Remove the **Side Panels**, by removing the **14 x Screws** securing the left and right handed **Side Panels** on the fire and place the **14 x Screws** safety to one side as these will be required later during the installation. **See Diagram 2.**

**Note: The Side Panels removed from the fire are no longer required and can be discarded or kept somewhere safe should you require them in the future.**

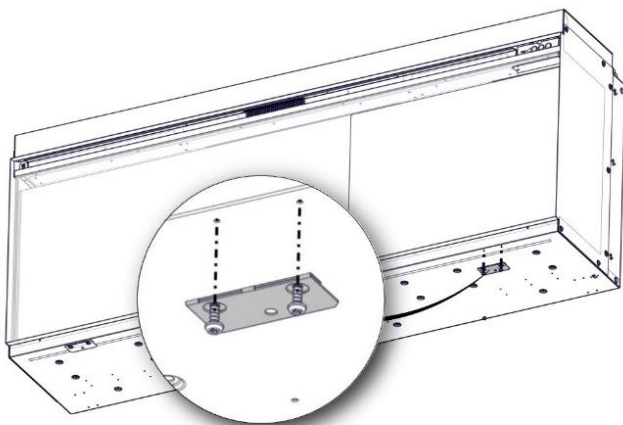


**Diagram 3**  
**(RH Side**  
**Shown)**

Locate: **2 x Support Brackets - (LH/RH)**  
**2 x Horizontal Side Trim - (LH/RH)**  
**2 x Vertical Side Trims - (LH/RH)**

**Note: These are boxed separately with the surround. Box A.**

Using the **14 x Screws** previously removed, fix the supplied brackets to the fire, using **7 x Screws** per side. **See Diagram 3.**



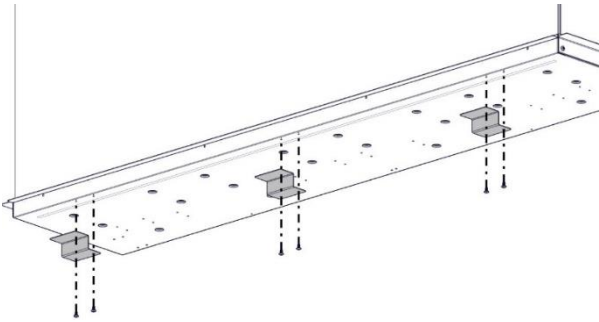
Depending on the model purchased:

**050164 – (1000-3SL)** - remove the 2 x Brackets attached to the base of the fire, place the **4 x Screws** safety to one side, as these will be required later during the installation. **See Diagram 4.**

**050172– (1250-3SL)** - remove the 3x Brackets attached to the base of the fire, place the **6 x Screws** safety to one side, as these will be required later during the installation. **See Diagram 4.**

**Note: The brackets removed from the fire are no longer required and can be discarded or kept somewhere safe should you require them in the future.**

## Installation – Fire Preparation *continued*.....



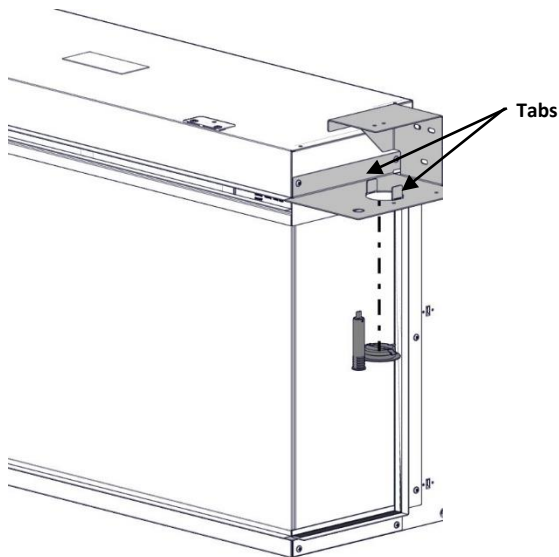
**Diagram 5**

Depending on the model purchased:

**050164 – (1000-3SL)** - Fix the supplied **2 x Magnet Support Brackets** to the base of the fire using the previously removed **4 x Screws**. See **Diagram 5**.

**050172– (1250-3SL)** - Fix the supplied **3 x Magnet Support Brackets** to the base of the fire using the previously removed **6 x Screws**. See **Diagram 5**.

**Note:** The holes left in the top of each Magnet Support Bracket will be used in a later procedure.



**Diagram 6**

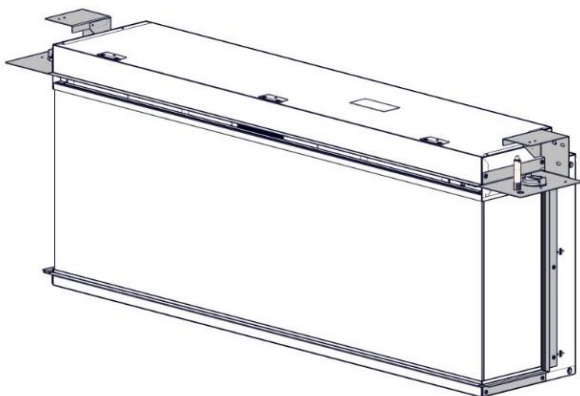
Locate the **LED Downlight Kit (Box B)** and the **Downlight Extension Cable and Instruction**. (Inside **Box A**).

**Note:** Before proceeding further ensure the **Tabs** on the **2 x Support Brackets** are bent up over and facing inwards slightly. See **Diagram 6**.

**Discard** the **2 Light Led Kit With Sensor Instruction (Inside Box B)** and instead follow the **2 Light Led Kit With Sensor Instruction + 2M Extension Cable Instruction (Inside Box A)** and proceed to install the **LED Downlights, 2M Extension Cable** and **Sensor Switch** as detailed.

**Note:** The **Sensor Switch** can be installed in the left Or Right Support Bracket.

**Note:** Later during the installation, when the fire is installed into the surround base, all the excess cables should be positioned to the **Sensor Switch** side of the installation, this will aid with servicing, in the unlikely event a defect occurs.



**Diagram 7**

Once all the supplied brackets have been fixed to the fire, please proceed to the next stage of the installation process -**Stud Wall / Masonry Wall Installation**.

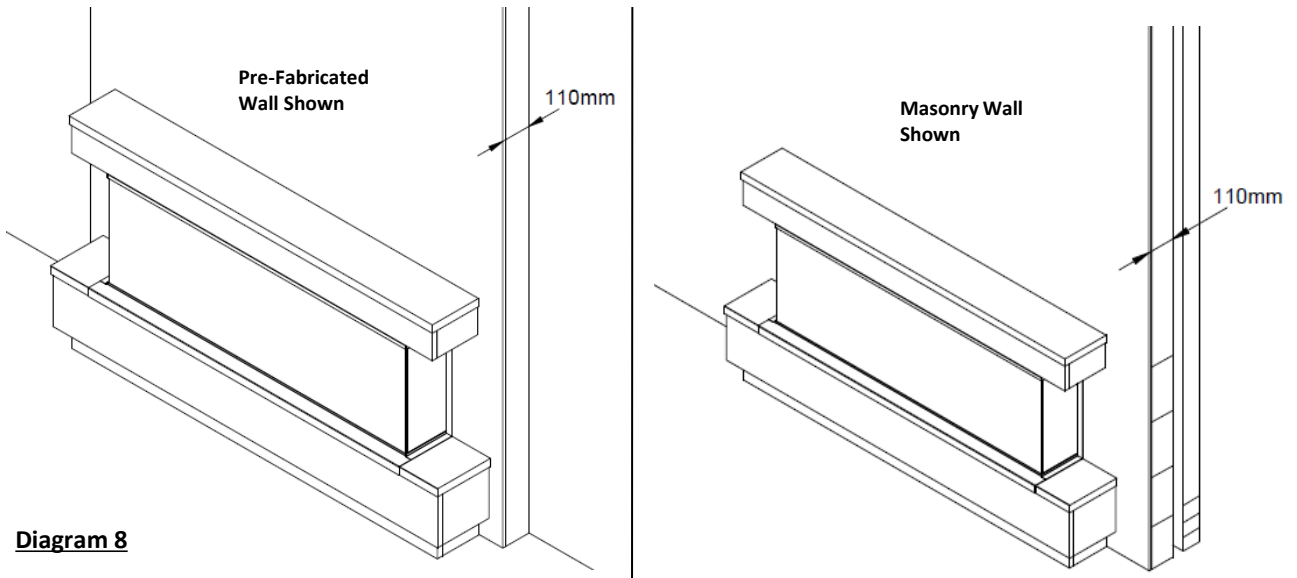
**Note:** Place the fire safely to one side away from the installation site, to avoid it being damaged before being installed, later in the installation process.



## Installation - Pre-fabricated Wall / Masonry Wall

This product has been designed to be installed into a **Pre-fabricated Wall** or existing **Masonry Wall**. If required, please seek advice from a professional, with reference to the structural integrity of the installation site, before proceeding further.

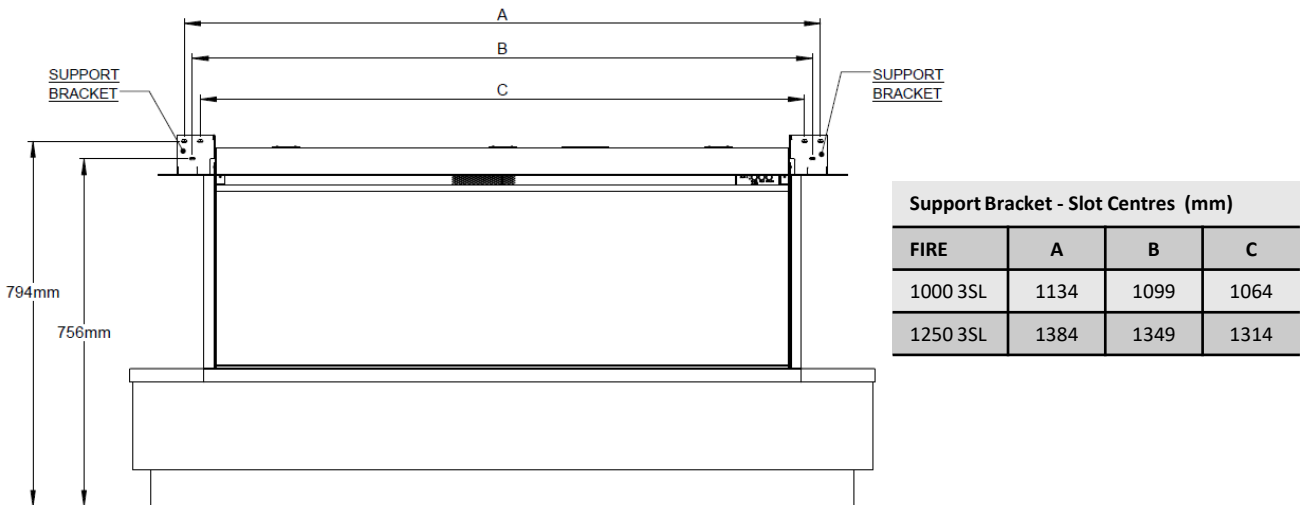
**Note:** The fire requires to be partially inset into a **Pre-fabricated Wall** or **Masonry Wall** – The minimum rebate required is **110mm**, this allows for the required 10mm clearance at the rear of the fire. See **Diagram 8**.



**Diagram 8**

Once the fire has been prepared, use the following dimensions on **Pages 9 & 10** to construct the **Pre-fabricated Wall** or make an opening in an existing **Masonry Wall**, which the fire will fit into.

**Note:** When planning the cut out, consideration should be given to ensuring that there is adequate material either side of the opening to be able to fix the support brackets back to the **Pre-fabricated Wall** or **Masonry wall** once the opening has been made. See **Diagram 9**, showing the slot centres of the support brackets.



**Diagram 9**

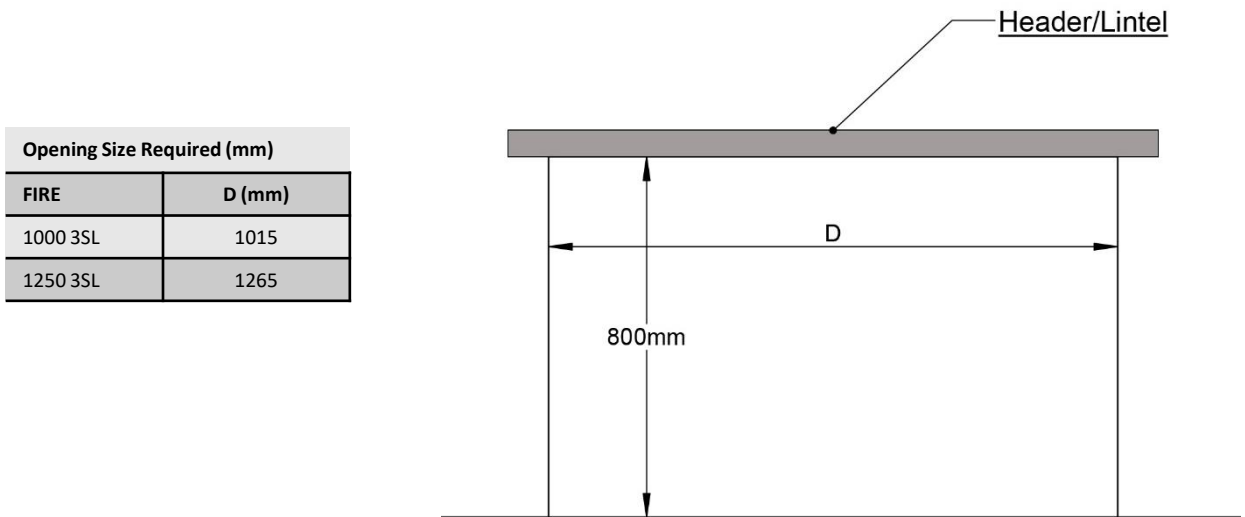
## Installation - Pre-fabricated Wall / Masonry Wall *continued...*

**Note:** If the product is to be installed into the cavity of the wall, an open chimney or flue, it is important that the cavity / chimney / flue is blocked off to prevent any up / down draughts and falling debris which could restrict and alter the airflow of the product, which may cause the safety cut out system in the fan heater to operate.

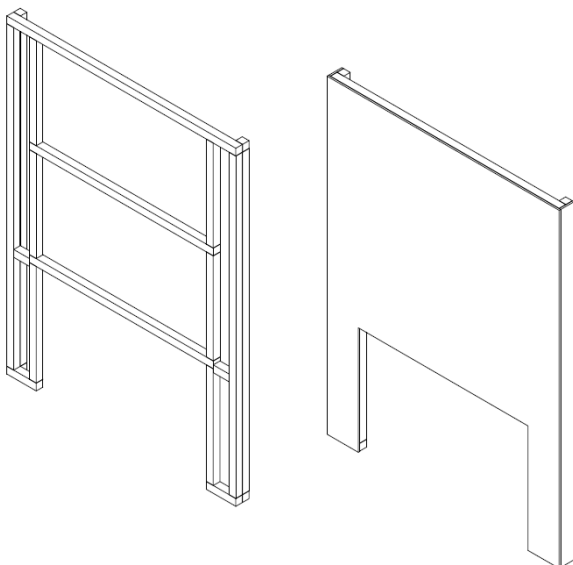
The product should never be sealed into an opening with the use of silicones or adhesives as this can also alter the airflow and hinder any future servicing of the product

It is essential to include a header / lintel at the required height to ensure the fire does not support the weight of the finished wall. See Diagram 10.

Diagram 10, shows the required opening size for a **Pre-fabricated Wall** or **Masonry Wall**.



**Diagram 10**



**Diagram 11**

Once the **Pre-fabricated** wall has been built or the opening for the **Masonry Wall** has been made- proceed with finishing the wall.

Depending on the wall medium, plasterboard or patch up, skim and decorate the wall.

Once the decoration is complete proceed with installing the **Surround** and **Fire**. See **Pages 11-12**

## Installation – Assembled Base

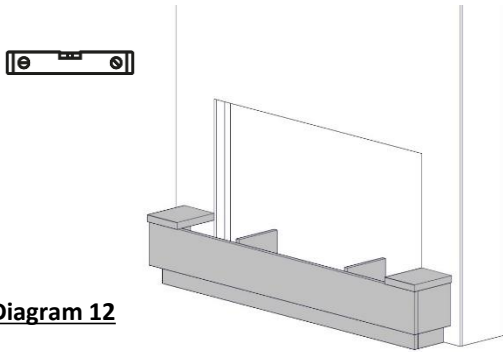


Diagram 12

**Note: The Assembled Base is a two adult person lift.**

Once the **opening** has been made, lift the unpacked **Assembled Base** into position and centralize on the opening in the wall.

Before proceeding further, ensure the **Assembled Base** is **LEVEL** in all planes.

See Diagram 12.

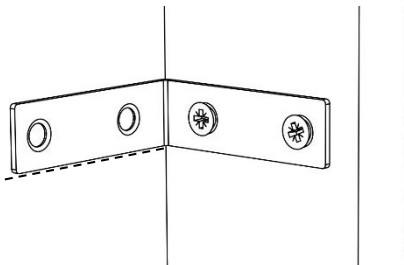


Diagram 13

Once in position, mark up the bottom edge of the **Angle Brackets**, pre-installed on the inside of the **Assembled Base**, onto the wall.

See Diagram 13.

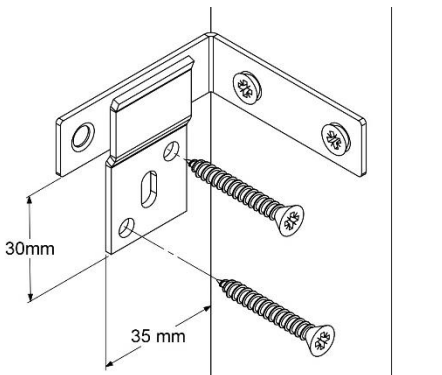


Diagram 14

Lift the **Assembled Base** away from the wall and proceed with marking the **2 x Wall Brackets** fixing positions on the wall. (**Brackets bagged with the surround**).

Set the bottom edge of the **2 x Wall Brackets** 30mm down from the previously drawn line.

Once marked, drill the fixing positions. Depending on the wall medium, it may be necessary to plug the drilled holes. See Page 14 'Important Note'.

Finally screw and secure the **2 x Wall Brackets** to the wall using suitable screws. See Page 14 'Important Note'.

See Diagram 14.

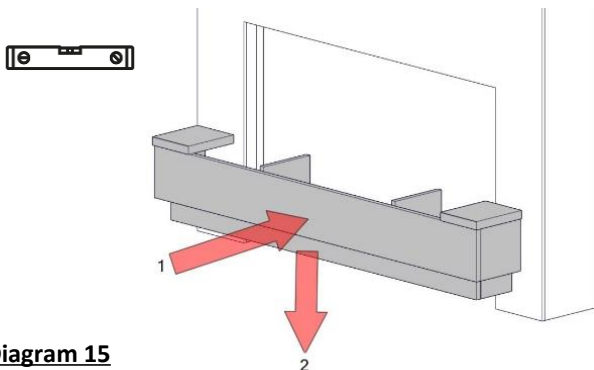
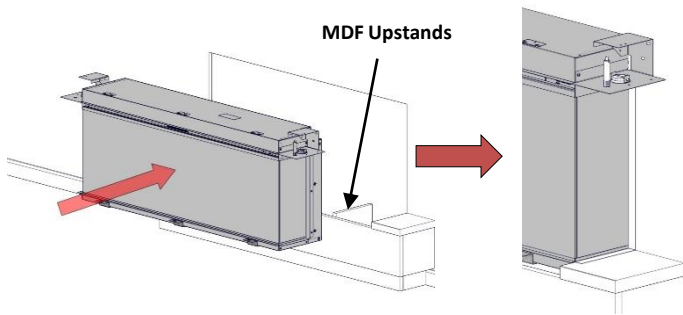


Diagram 15

Once the **2 x Wall Brackets** are fixed to the wall - lift the **Assembled Base** back to the wall, ensuring the **Angle Bracket** and **Wall Bracket**, engage correctly.

Before proceeding further, ensure the **Assembled Base** is **LEVEL** in all planes.

## Installation – Fire

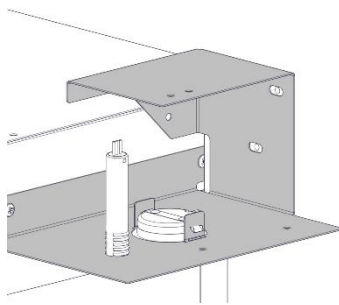


**Diagram 16**

**Note: The Fire is a two adult person lift.**

Once the **Assembled Base** is secured in position the next step is to lift the **Fire** on top of the MDF upstands in the bottom of the **Assembled Base** and offer it into position back up tight against the wall, centralizing the **Fire** on the opening.

See **Diagram 16**.



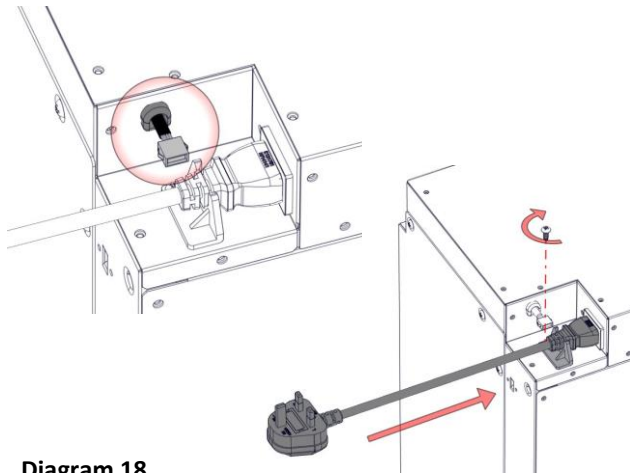
**Diagram 17**

Once in position, mark the position of the 6 x fixing points (3 per side), in the **Support Brackets**.

**Note: When marking the fixing points, ensure the 2 x Support Brackets are pushed tight against the wall and the side of the Fire.**

Once marked, remove the fire and drill the fixing positions. Depending on the wall medium, it may be necessary to plug the drilled holes. See **Page 14 'Important Note'**.

See **Diagram 17**.



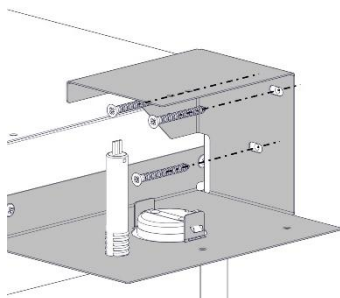
**Diagram 18**

Before proceeding further, position the **Fire** as close to the front of the **Assembled Base** as possible and ensure the power cable for the **Fire** and the **Fly Lead** for the **Pre- installed LED Light Set** are connected to the **Fire**. (Please refer to **Page 11** in the separate **Fire Operating Instructions**).

See **Diagram 18**.

Once connected, ensure the **Fire** and **LED Downlights** are connected to a power supply and they are operating correctly.

**Note: When lifting the fire into position, care must be taken not to crush or damage the cables.**



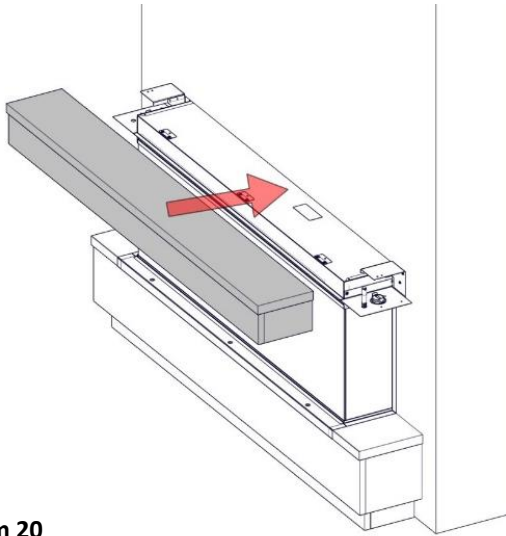
**Diagram 19**

Once the **Fire** and **LED Downlights** are operating correctly, lift the fire back on top of the MDF upstands in the bottom of the **Assembled Base** and offer it into position back up tight against the wall, centralizing the **Fire** on the opening.

Finally screw and secure the **2 x Support Brackets** to the wall using suitable screws. (3 Screws per side). See **Page 14 'Important Note'**.

See **Diagram 19**.

## Installation – Assembled Top



**Diagram 20**

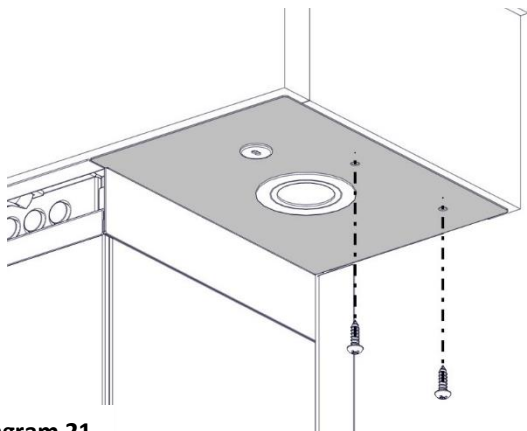
**Note:** The Assembled Top is a two adult person lift.

**Note:** Before proceeding further ensure all the excess cables for the LED Downlights are positioned to the **Sensor Switch** side of the installation, this will aid with servicing, in the unlikely event a defect occurs, without the need to remove the Assembled Top.

**Note:** Care must be taken not to crush or damage the cables and ensure they are left free.

Lift the **Assembled Top** into position on top of the fire ensuring it is resting on the **2 x Support Brackets** and centralize.

See Diagram 20.



**Diagram 21**

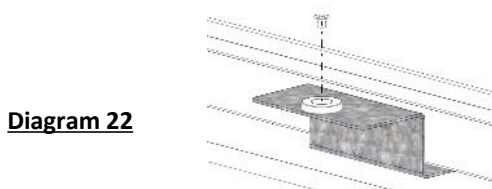
Once centralized, create a pilot hole through the fixing points on the **2 X Support Brackets**, into the underside of the **Assembled Top**. (**2 x Pilot Holes per side**.)

**Note:** Use the correct drill size for the screw provided.

See Diagram 21.

Using the **No.4 X 5/8" (2.8mm x 12.7mm) Screws** (supplied), fix the **Assembled Top** to the **2 x Support Brackets**. (**2 x Screws per side**.)

See Diagram 21.



**Diagram 22**

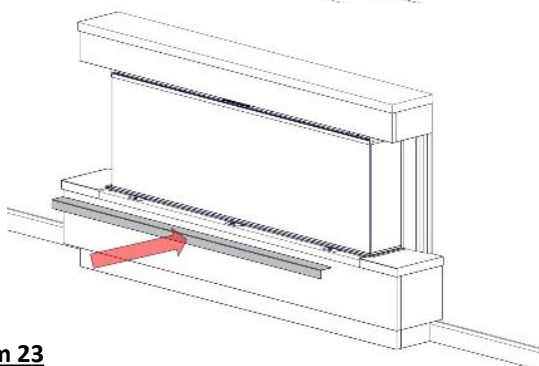
Next, depending on the model purchased secure the **2/3 Magnets** to the **2/3 Magnet Support Brackets** using the **No.6 x 1/2" (3.5mm x 15.88mm) Screws**. (supplied),

See Diagram 22.

Finally position the **Plinth Overlay** onto the magnets and centralize on the **Fire**.

See Diagram 23.

Once the **Plinth Overlay** is installed the installation is complete, finish any decorating and replace any skirting, if required.



**Diagram 23**

---

## Maintenance

---

**WARNING:** Before any maintenance or whilst cleaning the exterior of the fireplace, the unit should be disconnected from the power supply and left to fully cool down.

### Cleaning the Fire

Cleaning or polishing products are not recommended. Fingerprints or other marks on the front glass panel can be removed by a piece of soft, damp, lint-free cloth with a good quality household glass cleaner. The front glass panel should always be completely dried with a clean, lint-free cloth or paper towel.

**CAUTION:** Abrasive cleaners should not be used on the glass panel. Liquids should not be sprayed directly onto any surface of the unit.

### Cleaning the Furniture

Wipe up spills with a clean damp cloth. When cleaning the furniture, we also recommend using a clean damp cloth. Avoid using cleaners or polishes that contain abrasives, solvents, acid and ammonia.

### Troubleshooting

Should you have any queries regarding this product please contact Customer Services on 01914300901 (Option 4) or email us at [customerservices@bemodern.co.uk](mailto:customerservices@bemodern.co.uk)

### Recycling

All cardboard packing is recyclable.

#### IMPORTANT NOTE:

Wall fixings (i.e. screws/wall plugs etc.) are not supplied as these are crucially dependent upon the type of wall and surface the surround is going to be fixed too.

The installer is therefore responsible for ensuring that suitable fittings are used as well as individual fitting situations and environments. All mechanical fixings, for holding the surround in position, must be secured to a solid wall or structure.

## Troubleshooting

Problem/Query	Solution
What kind of electrical supply will I need?	A double socket is required for the operation of the Fire and the LED Downlights.
The <b>LED Light Set Pre-Installed</b> is not operating or visible.	Follow the <u>separate Fire</u> instructions <b>Page 20</b> , supplied with the fire, alternatively ensure the <b>LED Light Set</b> has been connected to the fire using the <b>Fly Lead</b> supplied, see <u>separate Fire</u> instructions <b>Page 11</b> .
The <b>Fire</b> is not operating correctly.	Follow the separate <b>Fire</b> instructions <b>Page 17-24</b>
Why have I been provided with <b>2 x Extension Leads</b> for the downlight installation.	The smaller extension lead (1m) is <b>not required</b> for this installation- <b>discard</b> and proceed with the installation using the longer extension cable. (2m)
Are wall fixings included?	Wall fixings (i.e. screws / wall plugs etc.) are not supplied as these are crucially dependent upon the type of wall and surface the suite is going to be fixed too. The installer is therefore responsible for ensuring that suitable fittings are used as well as individual fitting situations and environments. All mechanical fixings, for holding the suite in position, must be secured to a solid wall or structure.