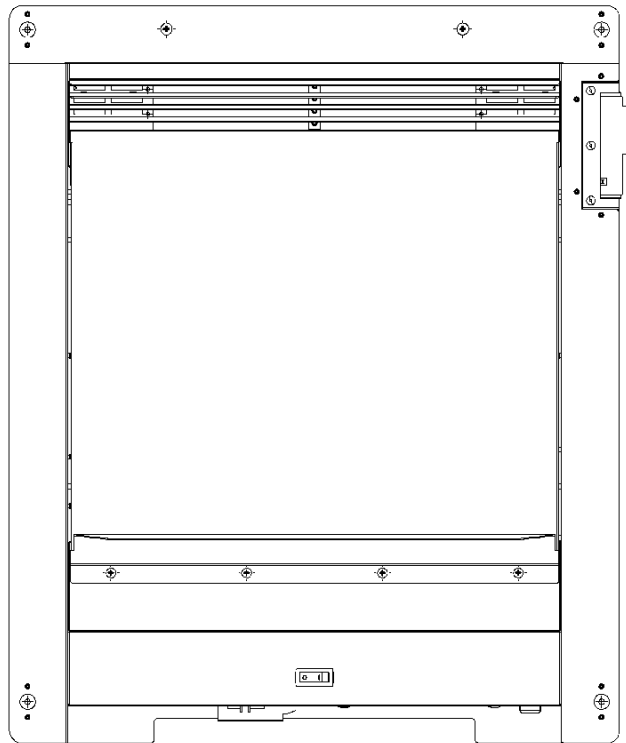


bemodern

FIRES | FIREPLACES

Instructions For Operation & Installation

Model: 2588 & 4397 16" Electric Fire

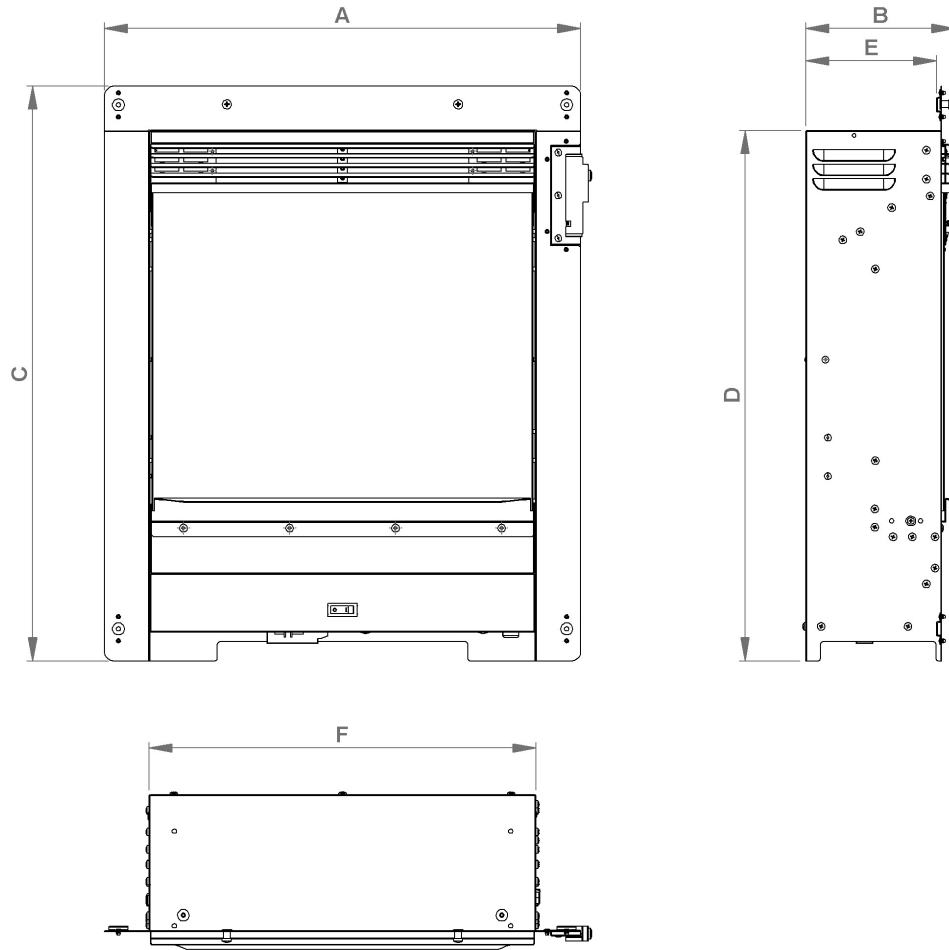


Read these instructions thoroughly before use and keep for future reference.

Contents

	Page
Tech Specification	3
Boxed Contents	4
Heating Specification	5
Safety Information	6-7
Before You Start	8
Wall / Back Panel Preparation	9
Fire Installation	10-12
Chollerton Trim Installation	13
Devotion Trim Installation	14
Sola Trim Installation	15
Fire Installation with Spacer	16-18
Manual Control Operation	19
Remote Control Operation	20-24
General information	25
Guarantee	26
ERP Table	27

Technical Specification



Fire	Dimensions (mm)					
	A	B	C	D	E	F
16" – 2588 & 4397	494	155	598	552	136	402

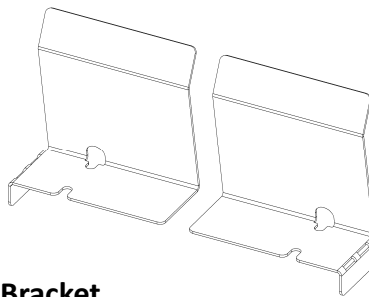
Fire	Visible Glass Area (mm)		Boxed Weight	Unboxed Weight
	W	H	(Kg)	(Kg)
16" – 2588 & 4397	400	318	14	11.4

The appliance Data Plate is located on the rear of the fire.

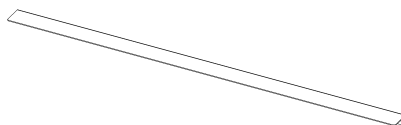
Tolerance: +2mm / -0mm

Boxed Contents

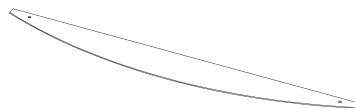
Description	Quantity
16" - Electric Fire Engine	1
Fire Remote Control & 2x AAA Batteries	1
25mm x 15mm x 10mm Magnet	8
8mm Dia x 3mm Magnet	2
Fixing Bracket	2
Straight Bracket	1
Curved Bracket	1



Fixing Bracket



Straight Bracket



Curved Bracket

Heating Specification

Model No: 2588 / 4397

Supply Voltage: AC 220-240V 50Hz, Maximum power consumption: 2kW.

Model: 2588 / 4397	Wattage
Power for Flame Effect	8.8w (LED 4.8W + Motor for flame 4W)
Heat Output	
Nominal heat output (Pnom)	2kW
Minimum heat output (indicative) (Pmin)	1kW
Maximum continuous heat output (Pmax)	2kW

Auxiliary Electricity Consumption	Wattage
At nominal heat output (elmax)	12.5w
At minimum heat output (elmin)	12w
In standby mode (elSB)	0.48w

Type of heat output / room temperature control

Single stage heat output and no room temperature control	No
Two or more manual stages, no room temperature control	No
With mechanic thermostat room temperature control	No
With electronic room temperature control	No
Electronic room temperature control plus day timer	No
Electronic room temperature control plus week timer	Yes

Other Control Options

Room temperature control, with presence detection	No
Room temperature control, with open window detection	Yes
With distance control option	No
With adaptive start control	Yes
With working time limitation	No
With black bulb sensor	No
Self-learning functionality	No
Control accuracy	Yes

Safety Information

Read all of the instructions carefully before using the appliance.

Warning: Do not operate the appliance if it is damaged or has malfunctioned. If you suspect the appliance is damaged or has malfunctioned call a qualified service engineer to inspect the appliance, and replace any part of the electrical system, if necessary, before reuse.

For indoor use only: This appliance is not suitable for use outside the house and only suitable for well insulated spaces or occasional use.

If the fire is to be placed in front of an existing chimney opening and there is any risk of chimney debris falling down onto the fire or drafts from the chimney it is recommended that the flue or opening is sealed off with non-combustible non-fibrous insulation materials. Do not place into an existing fireplace that is prone to dampness. Should it be necessary to cap and seal the chimney. To prevent personal injury, a professional should be hired to do the work

Do not use this appliance in the immediate surroundings of a bath, a shower or a swimming pool.

Do not use this fire as a free-standing appliance. It must always be fixed to the wall, fireplace mantel, floor etc.

This fire must not be located immediately below or in front of a socket-outlet.

This appliance must not be supplied through an external switching device, such as a timer, or connected to the circuit that is regularly switched on and off by utility in order to avoid a hazard due to the inadvertent resetting of the thermal cut out.

A non-rewirable plug fitted with a 13A fuse is supplied. Should the fuse or plug need replacing, and you are competent to do so, it must be replaced with a 13A fuse or plug being 13A BS1363A approved.

If the power cord is damaged, it must be repaired by the manufacturer, its authorised service centre or professional person.

DO NOT COVER - Warning: In order to avoid overheating, do not cover the appliance.

Keep the power cord away from hot surfaces and hot conditions. Do not route the power lead in front of the appliance.

To reduce the risk of fire, keep textiles, curtains, or any other flammable material a minimum distance of 1 meter from the air outlet.

Do not use this fire in rooms that have explosive gas in them (for example petrol), or if you are using solvents, glue, aerosol spray or in flammable paints, as these may catch fire.

Safety Information *(continued...)*

This appliance can be used by children aged from 8 years and above and persons with reduced physical, sensory or mental capabilities or lack of experience and knowledge if they have been given supervision or instruction concerning use of the appliance in a safe way and understand the hazards involved.

Children shall not play with the appliance.

Cleaning and user maintenance shall not be made by children without supervision.

Children of less than 3 years should be kept away unless continuously supervised.

Children aged from 3 years and less than 8 years shall only switch on/off the appliance provided that it has been placed or installed in its intended normal operating position and they have been given supervision or instruction concerning use of the appliance in a safe way and understand the hazards involved. Children aged from 3 years and less than 8 years shall not plug in, regulate and clean the appliance or perform user maintenance

Caution: Some part of this appliance can become very hot and cause burns. Particular attention has to be given where children and vulnerable people are present

This appliance must be positioned so that the plug/fused spur is accessible.

Make sure the plug fits tight in the outlet. Faulty wall outlet connections or loose plugs can cause the appliance to overheat.

Warning: This appliance must be earthed.

In the event of a fault please disconnect the fire from the mains supply.

Before You Start

Do Not dispose of the packaging until you have checked and made sure you have all the parts and fittings listed. Dependent on trim option purchased.

If not, contact: **BE MODERN - HELPLINE 0191 430 0901** who will be able to assist you with this and any other problems you may encounter. **Where appropriate please recycle packaging responsibly.**

When you are ready to start, make sure that you have the right tools to hand, plenty of space and a clean dry working area.

Note: Protect the surface you are working on to prevent any possible damage to the fire surround, fire or floor.

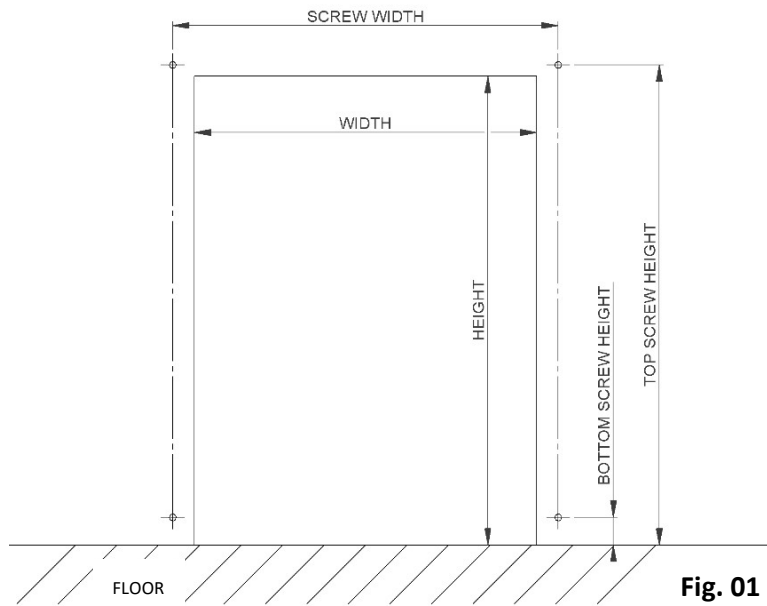
The appliance Data Plate is located on the rear of the fire.

If the fire is to be placed in front of an existing chimney opening and there is any risk of chimney debris falling down onto the fire it is recommended that the flue or opening is sealed off with non-combustible non-fibrous insulation materials. Do not place into an existing fireplace that is prone to dampness. Should it be necessary to cap and seal the chimney to prevent personal injury, a professional should be hired to do the work. Blanking off the chimney reduces the risk of a back draught, which could cause the safety cut-out to operate.

The surround / appliance must be positioned so that plug / fused spur is accessible. Only when you are certain that you have completed the installation should you plug in and switch on at the wall socket.

Check that the supply voltage details on your flame effect fire are in accordance with your electrical supply. Your fire is fitted with a plug incorporating a 13 Amp fuse. In the event of replacing the fuse in the plug, a 13 Amp fuse approved by ASTA to BS 1362 must be used. Before switching on, please read the following fire installation instructions.

Wall / Back Panel Preparation



Fire	Opening Dimensions (mm)			Mounting Screw positions (mm)		
	Width	Height	Min. Depth	Screw Width	Top Screw Height	Bottom Screw Height
16" – 2588 & 4397	413	565	≥146	465	578.5	33.5

Opening Sizes

Note: For efficient safe running of the fire follow the above **minimum** clearances in order to fit the appliances into a back panel or cavity. Before the fire can be installed, consideration will need to be given to routing the power supply to the fire. We advise a qualified electrician conduct any electrical parts of the installation. An accessible single socket / Fused Spur is required for the operation of the fire.

Fire Installation

Offer the fire centrally, up to the opening. Mark the fixing points on the wall through the fire mount screw holes **Fig.02**. Alternatively use the mount hole positions detailed in **Fig. 01**.

Remove the fire and place to one side. Drill and plug the wall mounting holes using suitable fixings (wall mount fixing are not supplied).

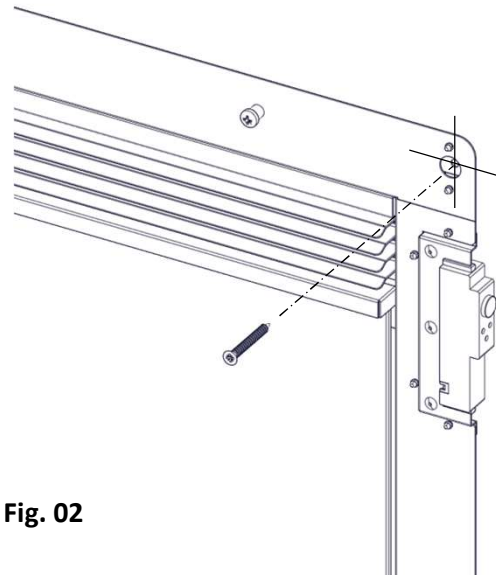


Fig. 02

Connect the fire to the power supply and offer the fire back up the opening. Using suitable screws secure the fire in position. Fig. 03.

IMPORTANT: When routing the power cable. Care must be taken not to crush or damage the cable.

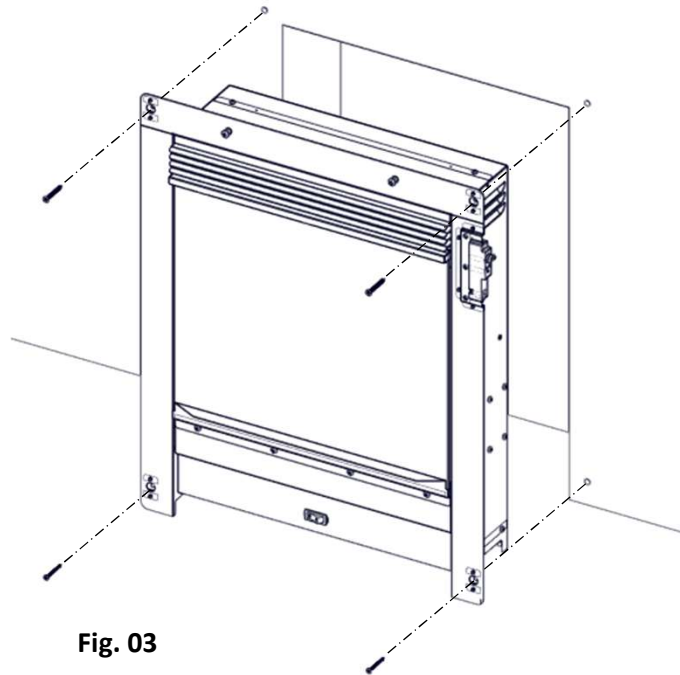


Fig. 03

Fire Installation (*continued...*)

Marble Surround

To install the fire in a marble surround, where screwing in place is not an option. Marble fixing brackets have been supplied.

The fixing brackets are required to be fitted to the fire top. First back off the two indicated screws by 2mm (see Fig.04). One screw on each side of the fire.

Important: Do not fully remove the screws.

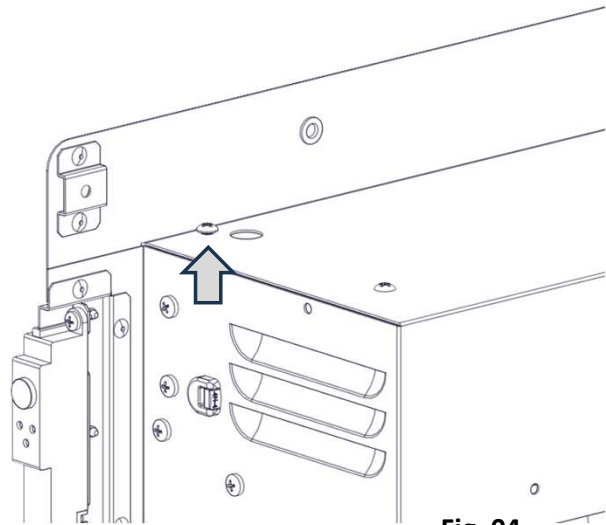


Fig. 04

Unpack the fixing brackets and bend down the tab. Pliers can be used to gain greater leverage if required. Right-hand & left-hand fixing brackets are supplied.

Fig. 05. shows right-hand fixing bracket.

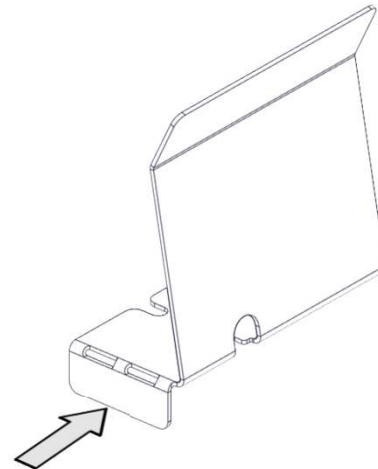


Fig. 05

Slide the RH & LH fixing brackets under the pre-loosened screw heads, on the top of the fire. The tabs should hang over the fire RH & LH sides.

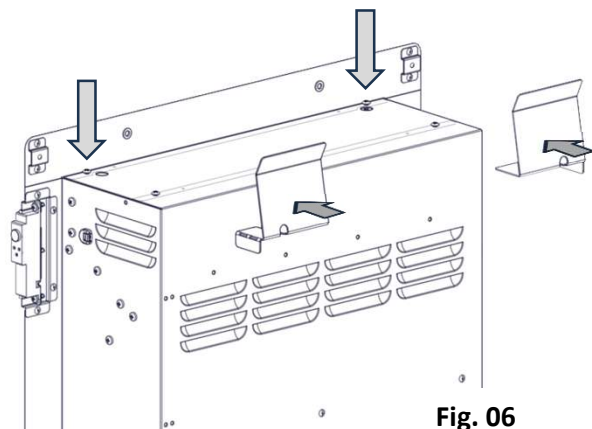


Fig. 06

Fire Installation (*continued...*)

Re-tighten the screws, securing the fixing brackets in place.

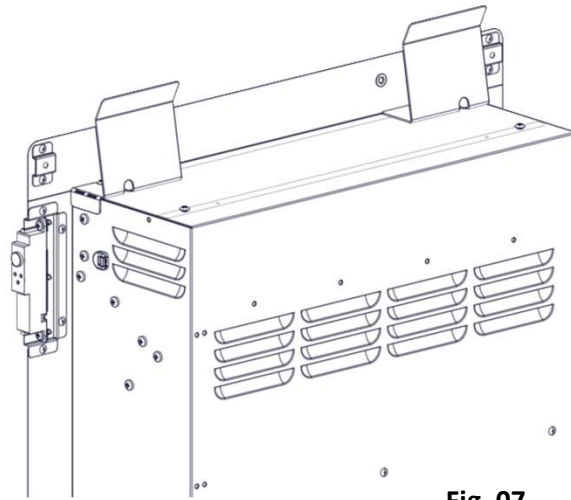


Fig. 07

Too install the fire. Lay the fire back on an angle.

IMPORTANT: When fitting the fire. Protect the hearth to prevent scratching the surface.

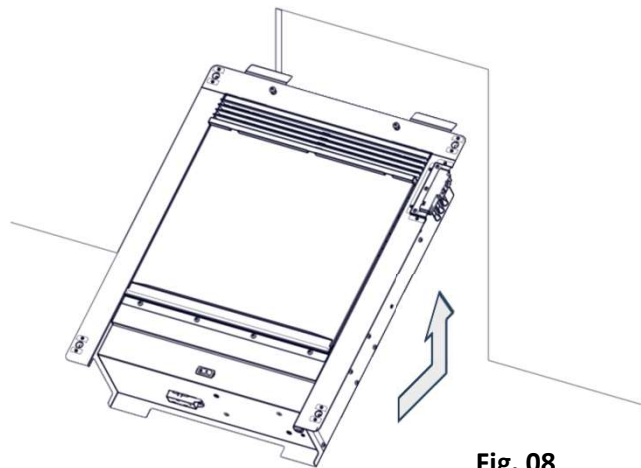


Fig. 08

Position the fixing brackets up behind the back panel and angle the fire centrally in to position against the back panel.

IMPORTANT: When routing the power cable. Care must be taken not to crush or damage the cable.

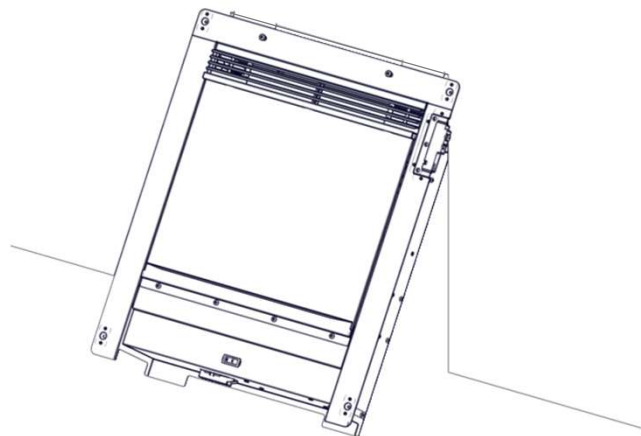


Fig. 09

Chollerton Trim Installation

Place the Chollerton trim straight bracket (supplied with the fire) down between the glass panel and glass mounting bracket.

The curved bracket is not required for this installation and can be discarded.

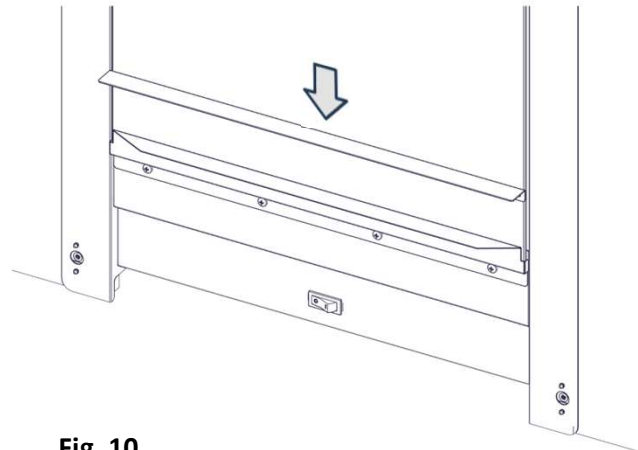


Fig. 10

With bracket in place.

Switch the fire to the ON position.

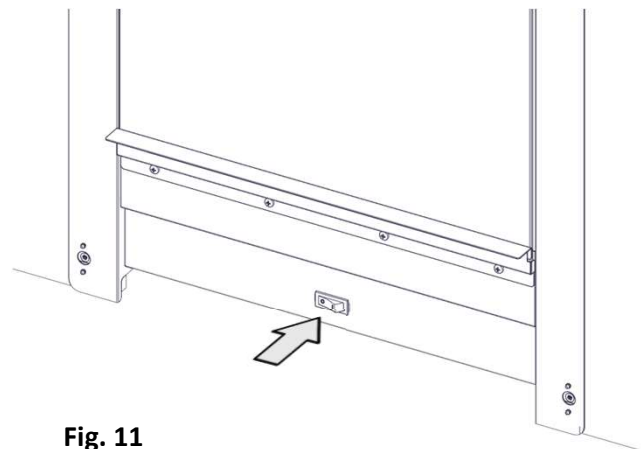


Fig. 11

Position the 4x magnets on the rear trim face, then place the trim centrally over the fire body.

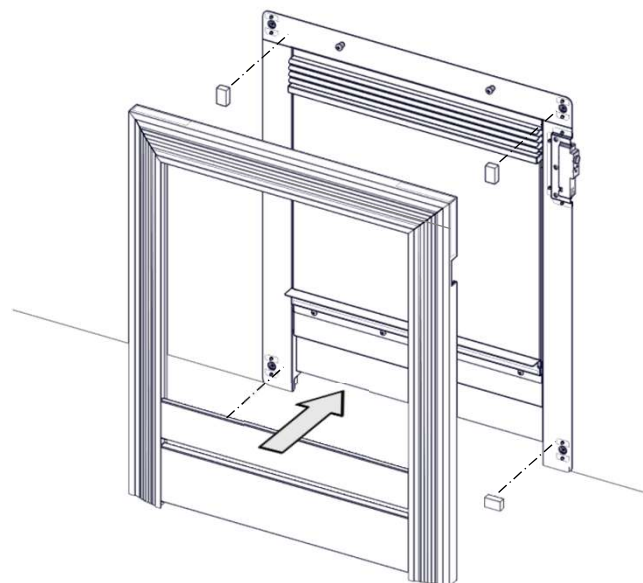


Fig. 12

Devotion Trim Installation

Place the 8mm Dia. Magnets on the top edge of the fire glass mount bracket. Place the curved bracket centrally over the magnets with the rear edge touching the glass panel.

The straight bracket is not required for this installation and can be discarded.

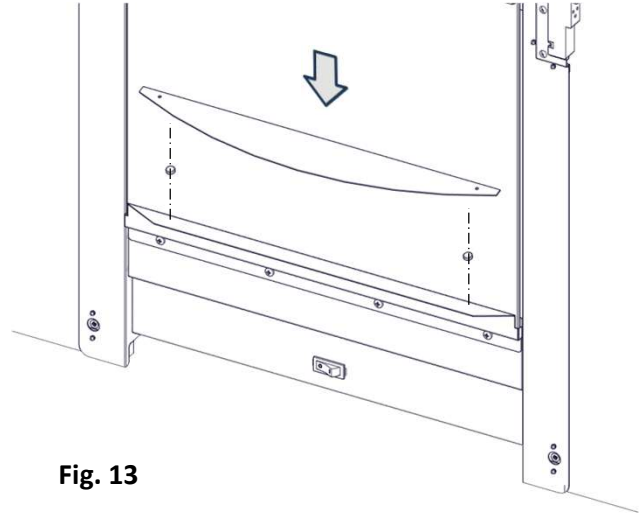


Fig. 13

With curved bracket in place.

Switch the fire to the ON position.

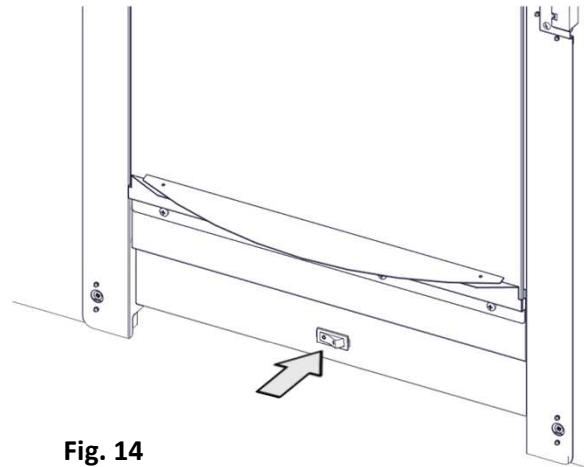


Fig. 14

Assemble the trim as detailed in trim instruction.

Position the 4x magnets on the rear trim face, then place the trim centrally over the fire body.

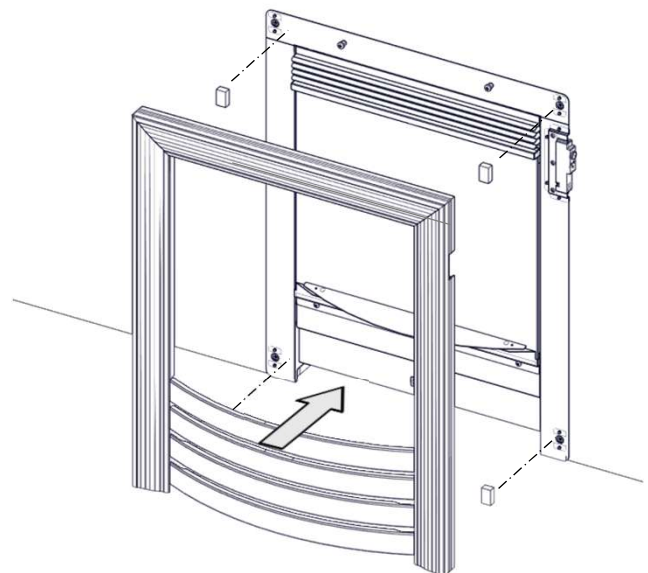


Fig. 15

Sola Trim Installation

Position the 4x 10mm Dia. Magnets (supplied with trim) on the rear trim face, then place the trim centrally over the fire body.

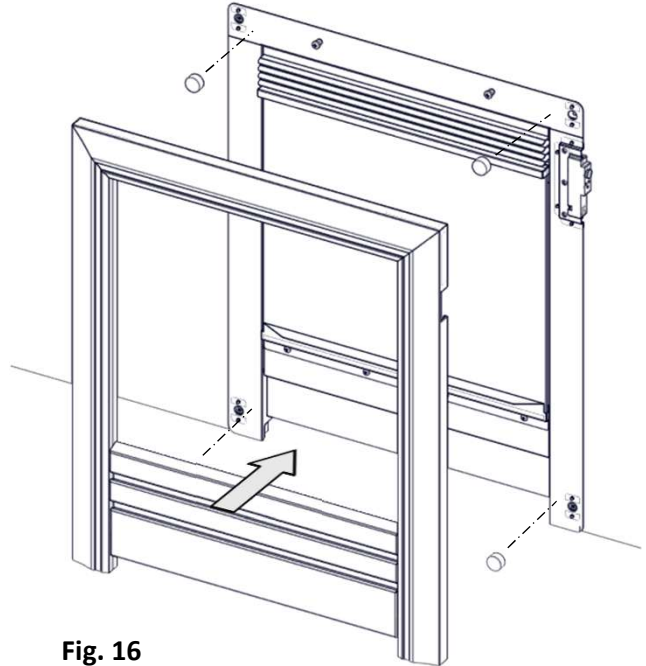


Fig. 16

Lower the trim fret panel down.
Position the 2x 10mm Dia. Magnets (supplied with trim) on the trim fret rear face and place the trim fret back in to place.

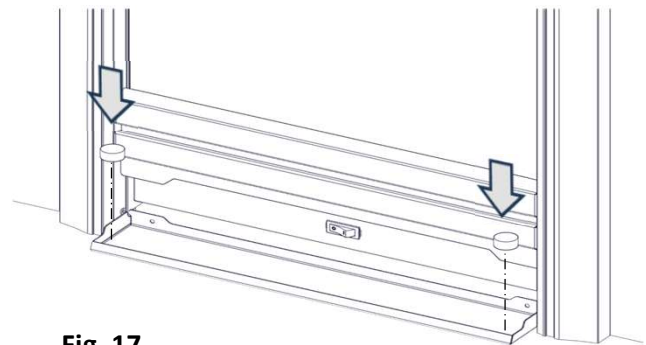


Fig. 17

Trim is installed.

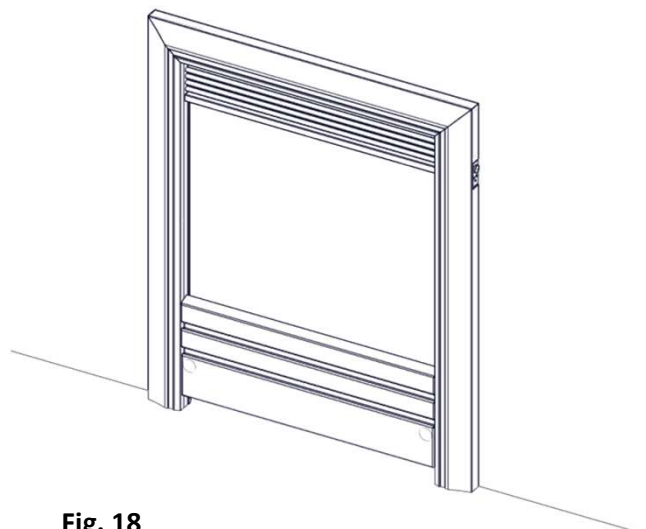


Fig. 18

Fire Installation with Spacer

To install the fire with a rear spacer.

The fixing brackets are required to be fitted to the rear of the fire top. First back off the two indicated screws by 2mm. One screw on each side of the fire.

Important: Do not fully remove the screws.

Note: either set of brackets supplied with the fire or the spacer can be used. one set can be discarded

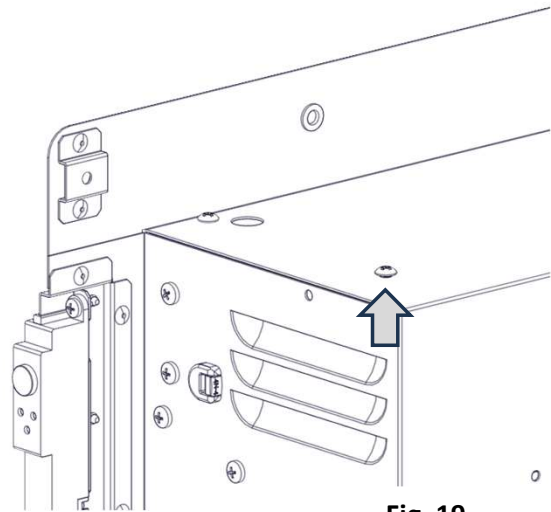


Fig. 19

Unpack the fixing brackets and bend down the tabs. Pliers can be used to gain greater leverage if required. Right-hand & left-hand fixing brackets are supplied.

Fig. 20. shows right-hand fixing bracket.

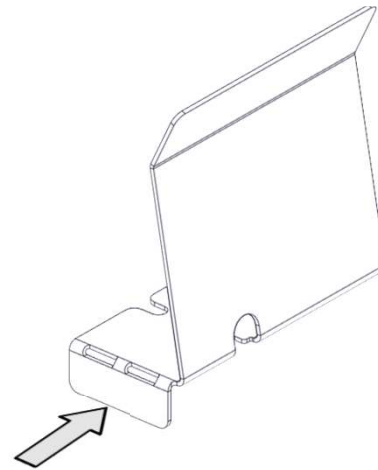


Fig. 20

Slide the RH & LH fixing brackets under the pre-loosened screw heads, on the top rear of the fire. The tabs should hang over the fire RH & LH sides.

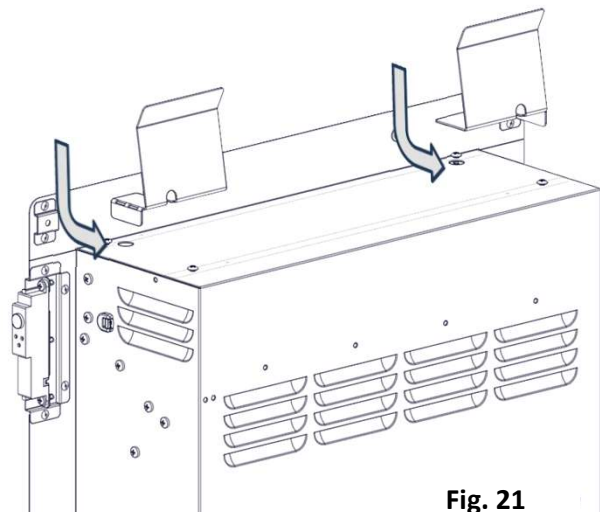


Fig. 21

Fire Installation with spacer (continued...)

Re-tighten the screws, securing the fixing brackets in place.

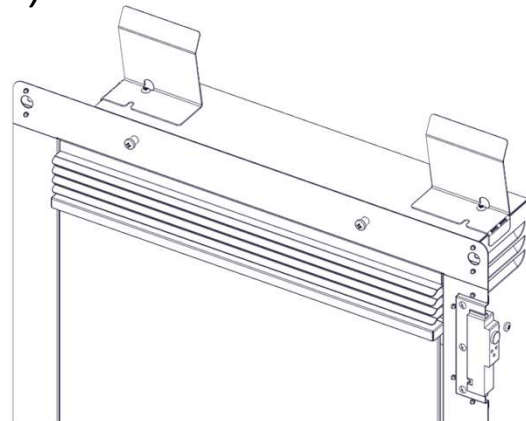


Fig. 22

Position the spacer (sold separately) over the rear of the fire.

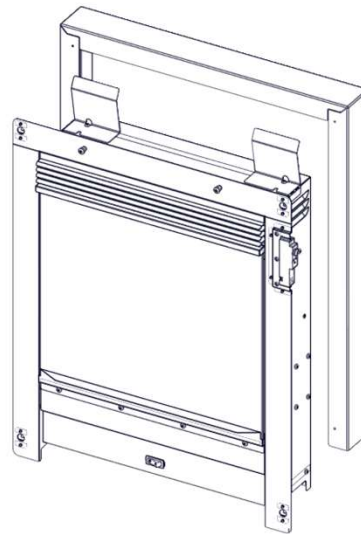


Fig. 23

Secure the trim in place through the fire mount points (Screws supplied with trim).

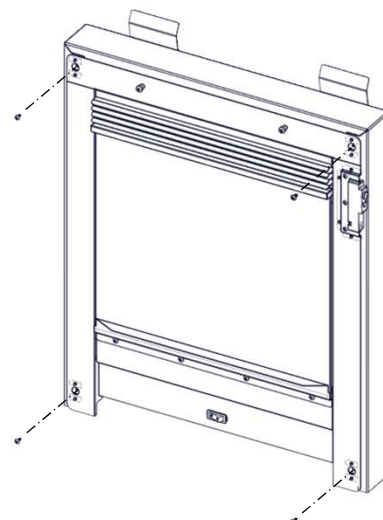


Fig. 24

Fire Installation with spacer (continued...)

To install the fire. Lay the fire back on an angle.

IMPORTANT: When fitting the fire. Protect the hearth to prevent scratching the surface.

Position the fixing brackets up behind the back panel and angle the fire centrally in to position against the back panel.

IMPORTANT: When routing the power cable. Care must be taken not to crush or damage the cable.

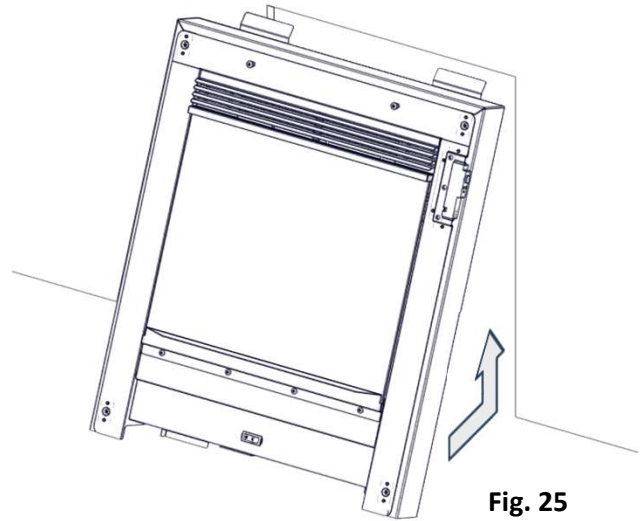


Fig. 25

The fire is now installed ready for trim fitment.

Follow pages 13 – 15 dependent on the trim purchased.

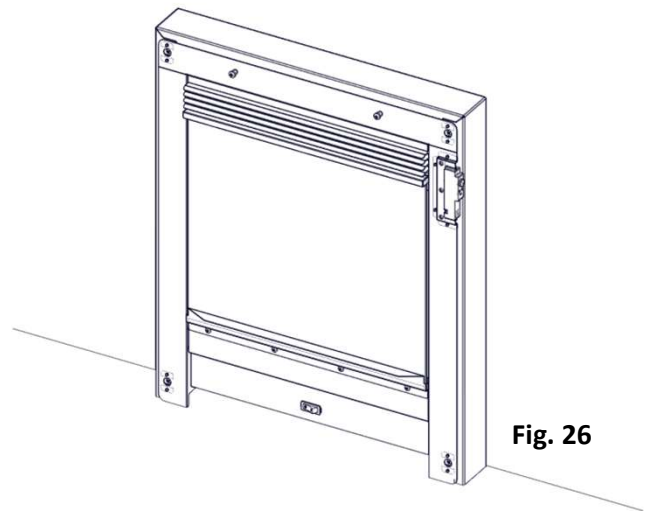
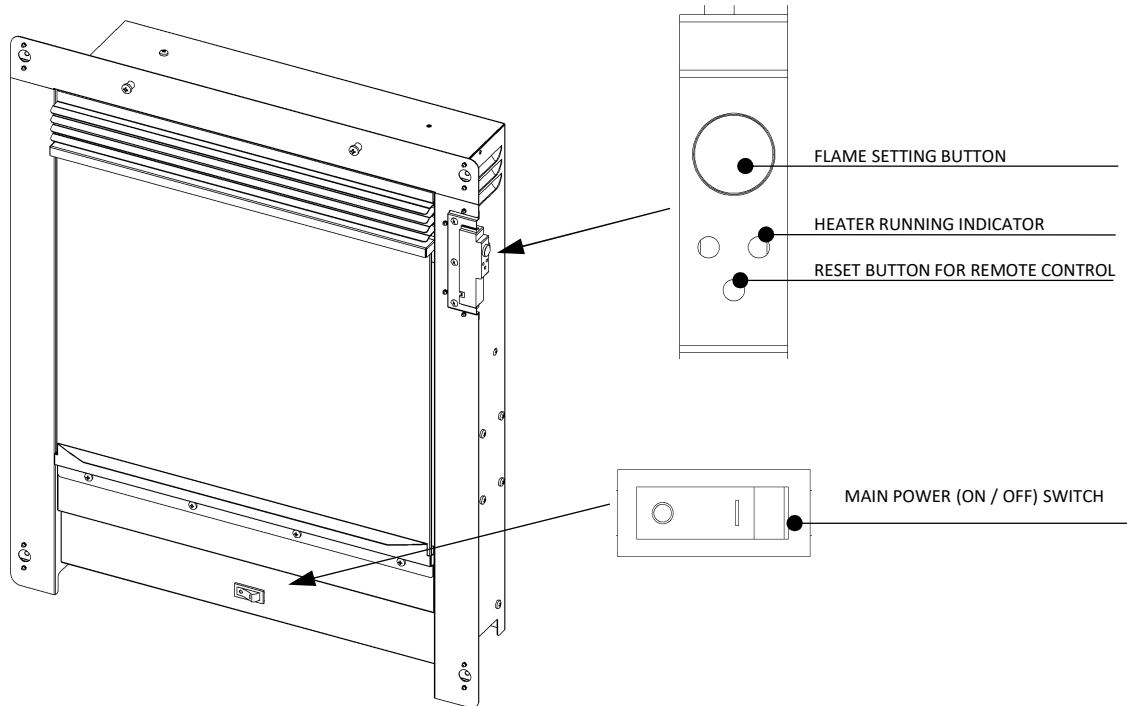


Fig. 26

Manual Control Operation



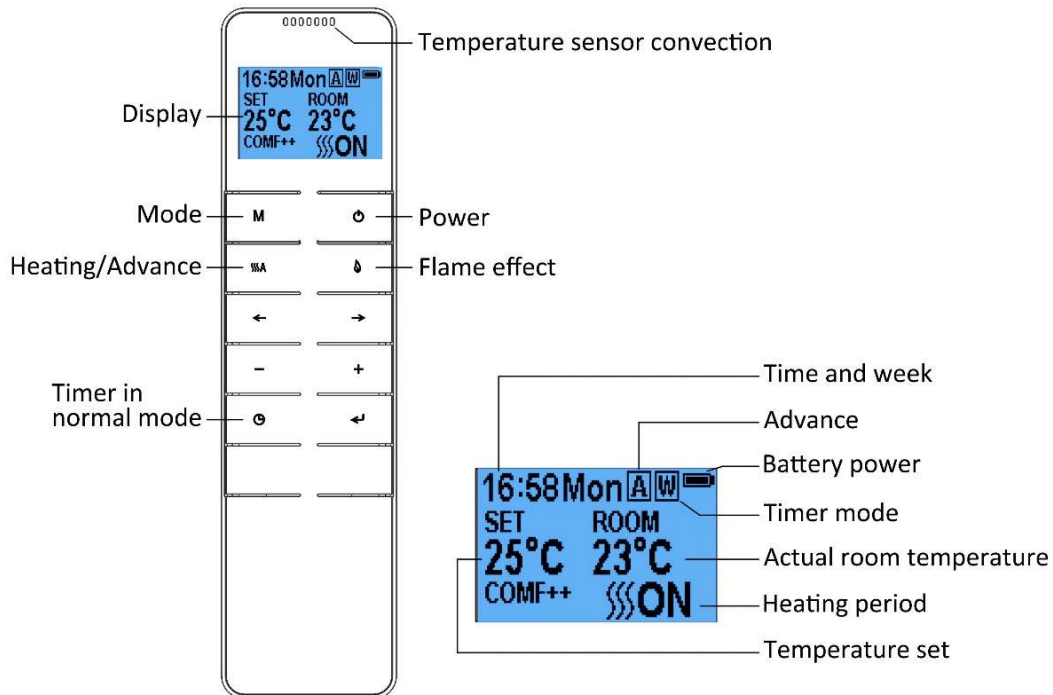
NOTE: The manual button controls basic functions, not a full range of controls. Use the remote handset to carry out all functions.

The manual buttons are located on the appliance as showed in the picture.

Press “FLAME” button to select the colour of flame (3 kinds) or return to the “OFF” position.

NOTE: The controls on appliance will lose the memory for all function settings when the switch is set to the “Off” Position. When the remote runs out of power or when you change the batteries, only the flame function will lose memory and will not affect the timer settings, however, the clock may need adjusting.

Remote Control Operation



NOTE: This is thermostatic remote control. The remote should be in the same room as the fireplace and placed on a flat surface. It must be placed away from the fire so the hot air will not blow onto it and affect thermostatic reading.

The communication frequency between the fire and remote has already been set up. If you cannot use the remote with the fire, please follow instructions Step. R31 to initiate this connection.

Standby for Remote Handset

R1 - The screen shown to the right is when the remote handset is in standby mode.



Before Day / Time set up

Turn on/off

R2 - Press to turn on the flame effect or turn off the flame effect and heater when in normal mode.



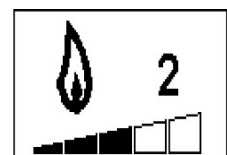
After Day / Time set up

R3 - Press to turn on / off the flame effect under daily and weekly timer mode.

Flame Effect

R4 - Press to enter the flame effect adjustment screen.

R5 - Press the '' and '' button to select the 3 Kinds of flame effect.

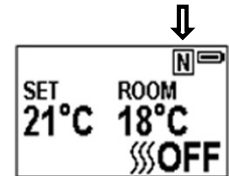


R6 - Press the '' and '' button to select the 5 brightness of flame effect and OFF settings.

Remote Control Operation (*continued...*)

Normal Mode

R7 - Normal control mode is factory set. If it is not, then press **M** button until the logo **N** shows up at the upper right corner of the screen.



R8 - Press the '+' or '-' button to adjust the temperature setting from 17°C to 25°C by 2-degree intervals.

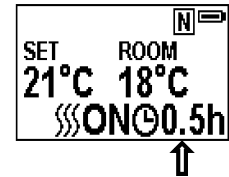
R9 - Press **ON** button to turn on / off the heat, **ON**, **OFF** will show at the lower of the screen.

NOTE: It is normal for the fan heater to stop running for periods of time. This happens because the room temperature is at or above the temperature set on the remote control. The heater indicator will be turned off after 10s if you have the flame ON. The heater indicator will stay ON if you use the heating function only.

Count Down Timer

NOTE: This setting is only for normal mode. It allows the appliance to go into standby after a set period of time.

R10 - Press **Timer** to cycle through the settings from Off and 0.5 hours to 9 hours. The timer logo and time will show on the screen. The heater must be in the ON position.

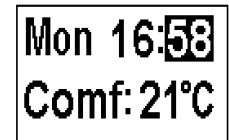


Set up Day, Time and Comfortable temperature.

The heater can be automatically run by using daily timer and weekly timer on the remote.

R11 - Press **Handset** to turn on the remote handset. Hold the button **M** button for 3 seconds to enter the setting screen.

R12 - Press the '←' or '→' button to choose Day, Time or your comfortable temperature. The character selected will be highlighted.



R13 - Pressing the '+' or '-' button will adjust the number.

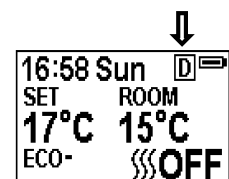
- Time: 24-hour system
- Select your comfortable temperature from 15-25°C.
- Temperature unit: °C、°F

Daily Timer Heating

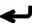
R14 - The following are pre-set heating periods, which can be altered if desired


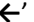

06:00 until 08:30
17:00 until 22:00

R15 - Press **M** until **D** shows at the upper right corner of the screen to enter into the daily timer heating mode.



Remote Control Operation (continued...)


R16 - Hold the arrow symbol button  for 6 seconds to enter the daily timer setting.
Max 3 timed Heating periods per day.

- Press '' or '' to choose hour or minute, press '+' or '-' to set the time.
- Minute will increase / decrease by 15 minutes per press.
- Hold  for 3 seconds or wait for 10 seconds to save and exit the heating time period setting.

Day Timer Setting
06:00 -- 08:30
17:00 -- 22:00
00:00 -- 00:00

R17 - Adjusting the set temperature

- Press the '+' or '-' button to increase or decrease the set temperature on the basis of your comfortable temperature setting.
- ECO means 2°C lower than your comfortable temperature setting,
ECO- means 4°C lower,
COMF+ means 2°C higher,
COMF++ means 4°C higher.


R18 - To check your daily timer settings press .

R19 - If heating needs to be turned off, it will be necessary to go back to the Normal Mode to turn off.


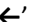



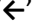


Week Timer Heating

R20 - The following are pre-set heating periods, which can be altered if desired.

From Monday to Friday	From Saturday to Sunday
06:00 until 08:30	06:30 until 09:30
17:00 until 22:00	11:00 until 13:00
	17:00 until 22:00

R21 - Press **M** until  shows at the upper right corner of the screen to enter into the week timer heating mode.

R22 - Hold  button for 6 seconds to enter the week timer setting

- Press '' or '' to move the cursor (a flashing underline), press the  button in the corresponding week position to select (the character is highlighted) or cancel (the character is displayed normally) the current setting. Several days can be selected together.
- Press the '' button to move the cursor to the time period setting area.
Press '' or '' to choose hour or minute, press '+' or '-' to set the number.
- Max 3 heating periods for a day.
- Minute will increase / decrease by 15 minutes per press.
- Press the  to set the heating time for the selected day(s) and return to the week line.
- Hold  for 3s or wait for 10s to save and exit the heating time period setting.

↓

16:58 Mon	
SET	ROOM
25°C	23°C
COMF++	ON

Mo	Tu	We	Th	Fr	Sa	Su
06:00	--	08:30				
17:00	--	22:00				

Mo	Tu	We	Th	Fr	Sa	Su
06:30	--	09:30				
11:00	--	13:00				
17:00	--	22:00				

Remote Control Operation (*continued...*)

R23 - Press ←, '←' or '→' to check your week Timer settings.

R24 - If heating needs to be turned off, it will be necessary to go back to the Normal Control Mode to turn off

Advance Mode

R25 - Under the daily and week timer mode Press))) A.

R26 - To turn the heater off when the heater is on during a pre-set heating period

R27 - To turn the heater on when the heater is off in between pre-set heating periods



Adaptive Start Control

R28 - According to room temperature and set temperature, the heater will automatically come on in time to heat the room to the set temperature at the set time. For example, if your timer is set to start at 18:00 and temperature is set to 23°C, the fire will come on at 17:30 to ensure the room is 23°C at 18:00.

Window Open Detection


R29 - When the transmitter detects a rapid drop in room temperature, it will be judged as a "Window Open", the warning icon will be displayed and the heating will be turned off automatically.

R30 - After the indoor temperature has risen or a manual override of the warning (by operating remote control) has been done, the fire will return to normal working state.



Set up the communication between the remote and appliance

R31 - The below operations should be carried out before programming, when changing to a new remote or in the event the appliance cannot be controlled by the remote:

- Hold the reset button on the appliance for 3 seconds (pen Point may needed) until you hear 3 short beeps from the unit, release the button.
- Press the  button on the remote, the programming is finished when you hear 1 long beep from the appliance.


R32 - Resetting the code for remote control is necessary if the appliance operates wrongly or the remote control does not operate correctly.


- Open the back cover of the remote control.
- Press the Reset button on remote handset.
- Follow the steps R31




Remote Control Operation (*continued...*)

Remote Control Battery Replacement

When the batteries are at full power, the battery symbol will show. 

When the batteries are half full, the battery symbol will show. 

When the batteries are out of power and need replacing immediately, the battery symbol will show. 

Battery replacement is recommended after 1 year. The batteries are 1.5V alkaline AAA, batteries.

Dispose of old batteries at an appropriate recycling facility.

Safety Thermal Cut-out and Thermal Link:

This appliance is fitted with an Electric Safety Control (E.S.). This is a safety device, which switches off the fire if, for any reason the appliance overheats. The E.S. Control can only be re-set after the appliance has cooled down, in order to re-set the E.S. Control, proceed as follows:

- Switch off the appliance.
- Unplug from the wall socket
- Leave for approximately 15 minutes.
- Plug in switch on appliance and the E.S. Control will re-set.

Ensure that the appliance is functioning correctly. If the E.S. Control switches off again it is advisable to have the appliance checked by a competent electrician.

CAUTION: In order to avoid a hazard due to inadvertent resetting of the thermal cut out, this appliance **must not be** supplied through an external switching device such as a timer, or connected to a circuit that is regularly switched on and off by the utility.

General Information

Environment



Meaning of crossed –out wheeled dustbin:

Electrical appliances should not be disposed as unsorted municipal waste. Separate collection facilities should be used in the disposal of electrical appliances. Contact your local government for the information about the available collection systems. If electrical appliances are disposed of in landfills or dumps, hazardous substances can leak into the groundwater and get into the food chain, damaging your health and well-being. When old appliances are replaced by the new ones, it is a legal obligation for the retailer to take back the old appliance for disposals at least free of charge.



This fire complies with the Safety Standards EN 60335-1 and EN 60335-2-30 which covers the essential requirements of the Low Voltage Directive 2014/35/EU and the EMC standards EN 55014-1; EN 55014-2; EN 61000-3-2 and EN 61000-3-3 which covers the essential requirements of the European Electro Magnetic Compatibility 2014/30/EU, and the RED standards EN300220-2, EN301489-1, EN301489-3 and Photobiological Safety Standards of LED EN6247 which covers the essential requirements of the European Radio Equipment Directive 2014/53/EU.



This fire complies with the Safety Standards BS 60335-1 and BS 60335-2-30 which covers the essential requirements of the Electrical Equipment (Safety) Regulations 2016 and the EMC standards BS 55014-1; BS 55014-2; BS 61000-3-2 and BS 61000-3-3 which covers the essential requirements of the Electro Magnetic Compatibility Regulations 2016, and the RED standards BS 300220-2, BS 301489-1, BS 301489-3 and Photobiological Safety Standards of LED BS6247 which covers the essential requirements of the Radio Equipment Regulations 2017.



RoHS stands for Restriction of Hazardous Substances, and impacts the entire electronics industry and many electrical products as well. The Restrictions of the Use of Certain Hazardous Substances in Electrical and Electronic Equipment Regulations 2012, originated in the European Union in 2002 and restricts the use of six hazardous materials found in electrical and electronic products. All applicable products in the EU and UK market since July 1, 2006 must pass RoHS compliance.

Electric Fire Guarantee

Be Modern Ltd. (the 'Company') provides a **twelve month**, guarantee in respect of electric fire (the 'Product') ranges.

1. The twelve month, Guarantee applies to:

- a. All products in the ranges manufactured by the 'Company' (but subject to the exceptions below): where:
- b. The product has been purchased and installed within the UK and in respect of
- c. The initial installation: and in favor of
- d. The original purchaser

2. Proof of Purchase must be retained by the Purchaser

3. The twelve month, Guarantee does not apply to:

- a. Damage or inferior workmanship practices whilst the 'Product' is being installed
- b. Damage caused by mis-use of the 'Product' or where normal standards of care and use have not been complied with.
- c. Damage through a malfunction or an inadequately installed electric fire.
- d. Damage or defects due to mis-use, accident or unauthorised alterations.

4. During the twelve month after the "Product" has been supplied, the Guarantee covers the making good (whether by repair or replacement at the Company's option) of defects arising from defective manufacture of materials of "Product" covered in Para 1 all at no cost to the purchaser on the provision:

- a. The Product has been installed as per Be Modern recommendations. The Purchaser uninstalls the Product and makes it available for collection by Be Modern.

This Guarantee does not affect your statutory rights

On requiring service, the purchaser should contact the retailer who supplied your product who will assist and advise you as necessary.

Be Modern Ltd.
19/34 Bedesway
Bede Industrial Estate
Jarrow
Tyne and Wear
NE32 3BE
Tel: (0191) 430 0901
Fax: (0191) 430 9522
<http://www.bemodern.com>

ERP Table

Contact details	BE MODERN LTD 19/34 BEDESWAY, BEDE INDUSTRIAL ESTATE, JARROW, TYNE & WEAR, NE32 3BE					
Model identifier(s): 2588 / 4397						
Item	Symbol	Value	Unit		Item	Unit
Heat output					Type of heat output / room temperature control (select one)	
Nominal heat output	P_{nom}	2	kW		single stage heat output and no room temperature control	[no]
Minimum heat output (indicative)	P_{min}	1	kW		two or more manual stages, no room temperature control	[no]
Maximum continuous heat output	$P_{max,c}$	2	kW		with mechanic thermostat room temperature control	[no]
Power consumption					with electronic room temperature control	[no]
In off mode	P_o	0.00	W		electronic room temperature control plus day timer	[no]
In standby mode	P_{sm}	0.4	W		electronic room temperature control plus week timer	[yes]
In idle mode	P_{idle}	0.4	W		Other control options (multiple selections possible)	
In network standby	P_{nsm}	N / A	W		room temperature control, with presence detection	[no]
Standby mode with display of information or status			[no]		room temperature control, with open window detection	[yes]
Seasonal space heating energy efficiency in active mode	$\eta_{s,on}$	96	%		distance control option	[no]
					adaptive start control	[yes]
					working time limitation	[no]
					black bulb sensor	[no]
					self-learning functionality	[no]
					control accuracy	[yes]