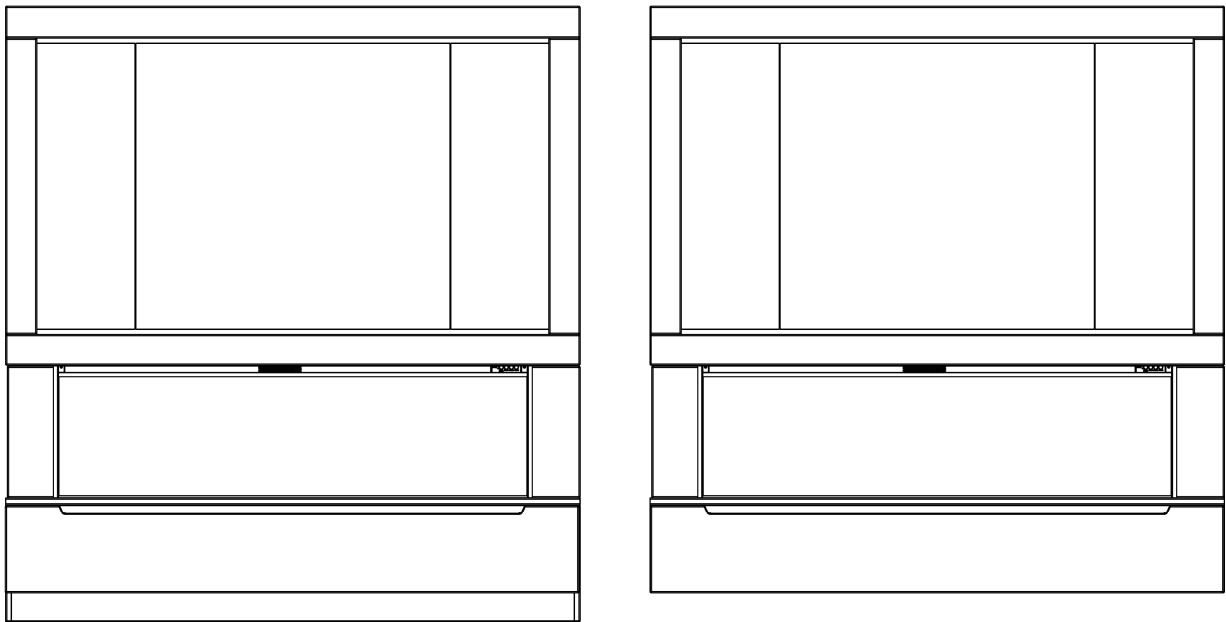


P R  Z M
REVOLUTIONIZING FLAMES

MEDIAVUE



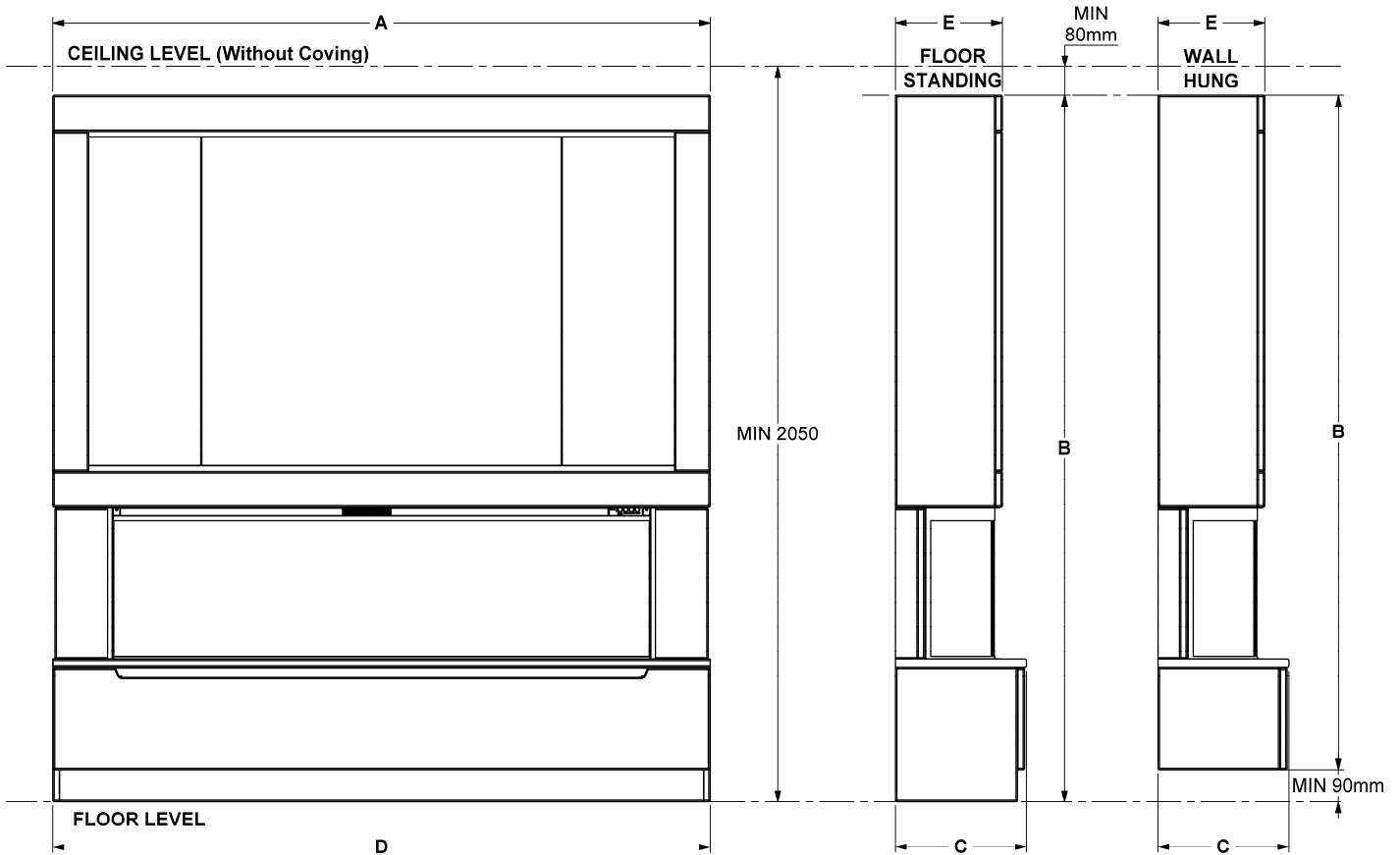
QR- Code for installation guide video

Instructions For Installation & Operation

Contents

	Page
Technical Specification	3
What Is In The Box	4
Hardware	4 - 5
Important Safety Information	5
Power Supply Installation	6
Wall Hanging Plates Installation	7 - 8
Floor Standing Installation	8 - 9
Wall Mounted Installation	10
Mounting The Base Unit	11
Unpacking The Fire	12 - 13
Preparing The Fire	14 - 15
Fire Installation & Mounting	16
TV Unit Installation	17 - 18
Base Unit Side Set Installation	19
TV Unit Back Panel Set Installation	19 - 21
Base Unit Drawer Installation	22 - 23
Fuel Bed Layout & Log Positioning	24 – 25
Replacing The Glass	25
Maintenance	26

Technical Specification



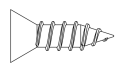
Note: All dimensions stated above are the minimum requirements for installation in rooms without coving installed. The MediaVue can be installed in rooms with ceiling heights greater than these dimensions. For Wall Hung installations the unit must be installed a minimum of 90mm above floor level.

Description	Dimensions				
	A	B	C	D	E
Floor Standing:	1833mm	1970mm	365mm	1833mm	298mm
Wall Hung:	1833mm	1880mm	365mm	1833mm	298mm

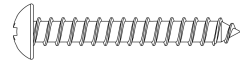
What Is In The Boxes?

Box- MediaVue Base Unit	Base Unit + Hardware Kit & Fire Support Bracket
Box- MediaVue Drawer Styling Kit	Styling Kit for the Base Unit - Floor standing & Wall hung options
Box- MediaVue TV Unit	TV Unit + Hardware Kit
Box- MediaVue TV Unit Back Panel	TV Unit Back Panel
Box- MediaVue Base Unit Side Set	Base Unit Side Set
Box- Arteon Elec. Fire Pryzm 3 Sided 1500-3SL	Small box inside fire: Logs, Large box inside fire: Crystals, Pebbles, Bark, Grey Slate, Fire Remote Control, 2x AAA Batteries, Short Side Brackets Long Side Brackets, 1.8m IEC Power Cable with Molded Plug
Box-Arteon Loose Log Set	12 Loose Logs & Fuel Bed Material

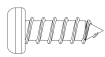
Hardware – Base Unit



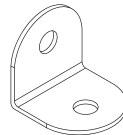
18x -16mm Counter Sunk Screw



8x -30mm Dome Head Screw



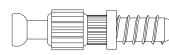
8x -12mm Dome head Screw



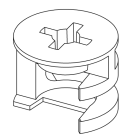
2x -L-bracket 19mm x 19mm



2x -30mm Wooden Dowel



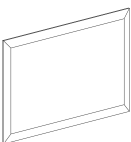
4x -Cam Bolt 6x20



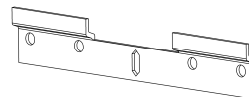
4x -Cam – Fixing



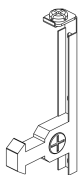
2x -Self Adhesive Door Buffer



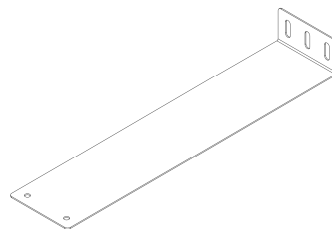
6x -Drawer Cover Caps



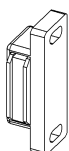
4x -Double Wall Hanging Plate



6x -Drawer Front – Deep Connectors

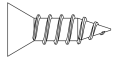


2x -Fire Support Bracket

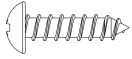


4x –Magnetic Catch – Striking Plate

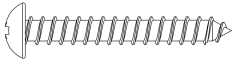
Hardware - TV Unit



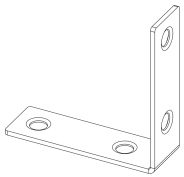
8x -16mm Counter Sunk Screw



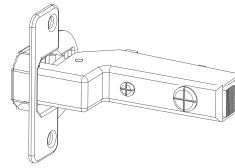
8x -16mm Dome Head Screw



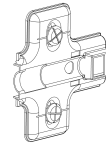
8x -30mm Dome Head Screw



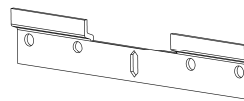
4x -Angle Brackets



4x -Soft Close Hinge



4x -Hinge Plate



4x -Double Wall Hanging Plate

Important Safety Information

Manual Handling

BEFORE STARTING THE INSTALLATION OF THE MEDIAVUE, PLEASE READ THE FOLLOWING:

CAUTION: This installation is heavy. Always seek assistance whilst unpacking the parts and installation.

The installation should be carried out by **two adults** to avoid injury or damage. If for any reason it is considered too heavy, please obtain assistance.

Always use the handles on the rear of the fire where possible.

When lifting the electric fire or suite assemblies, always keep your back straight. Bend your legs and not your back. Avoid twisting at the waist. It is better to reposition your feet.

Avoid upper body / top heavy bending. Always bend from the knees rather than the waist. Do not lean forward or sideways while handling the fire or suite assemblies

Always grip the parts with the palm of the hand – do not use the tips of fingers for support.

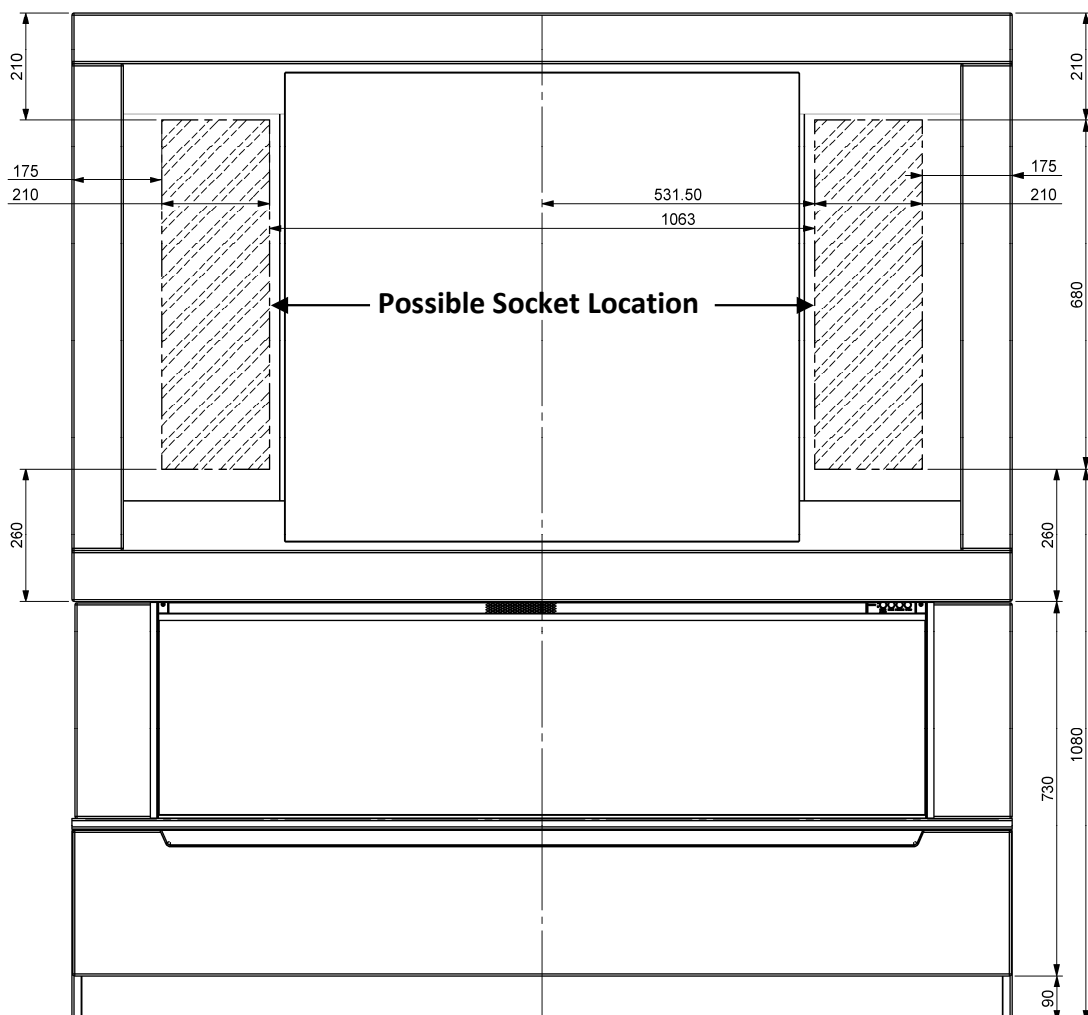
Always keep the parts as close to the body as possible. This will minimize the cantilever action.

Use gloves to provide additional grip.

Power supply Installation

IMPORTANT NOTE:

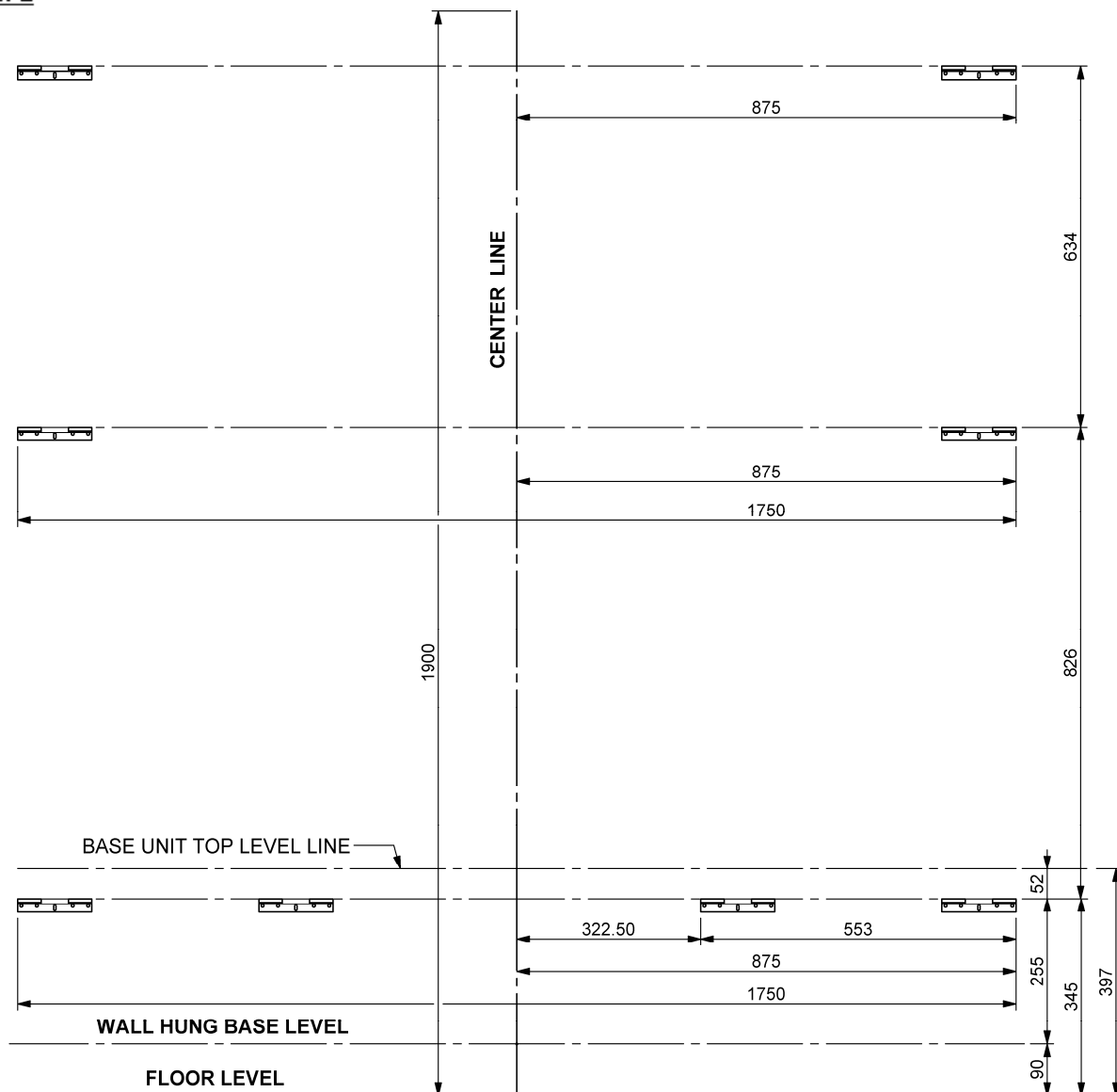
Before starting the installation, consideration will need to be given to the electric supply sockets. They will need routing and installed in the appropriate position for the planned final media setup and fire supply socket requirements. The routing of any cable should also take in to consideration the positioning of the wall fixings. To aid the electrician, the below guide indicates the possible location of any sockets. This installation will need to be undertaken by a qualified electrician and will need to follow current local planning regulations. A fused spur will be required to allow the appliance to be isolated in the event of any electrical faults. Any permanent electric installation in the wall should be completed prior to the installation of the MediaVue and Fire. There should also be consideration given to the fire power cable routing, so that the cable does not become trapped or damaged when the Fire or MediaVue are installed. Provision has been made for this in the base unit top.



IMPORTANT NOTE: This installation is designed for a flat, horizontal / vertically level wall and level floor. If this is not the case. The wall mounting surface will need to be correctly prepared before the installation. Upon installation shims may be required behind the fire mounting brackets if the wall is not flat and fine tuning of the MediaVue's hanging brackets may be required to position the Mediavue suite.

Wall Hanging Plates Installation

Diagram 1



IMPORTANT NOTE: Wall fixings (i.e. screws/wall plugs etc.) are not supplied as these are crucially dependent upon the type of wall surface the MediaVue suite is going to be fixed too. The installer is therefore responsible for ensuring that suitable fittings are used as well as individual fitting situations and environments. All mechanical fixings, for holding the MediaVue in position, must be secured to a solid wall or structure.

Note: The installation is a two adult person lift.

Confirm the proposed installation wall position. Mark a vertical center line on the wall with a spirit level. The line will need to be marked 1900mm up the wall from the floor. The line confirms the installation center position and will be the datum line for further measurements. **See Diagram 1.**

If the installation is planned to be floor standing, the skirting board will need to be removed or trimmed to the width of the base unit. If a wall mounted installation is planned and the base unit bottom edge will sit above the skirting board, this step will not be necessary. The WALL HUNG BASE LEVEL identifies the lowest point of the wall hung installation, but dependent on the rooms ceiling height this position can be moved higher as desired.

Wall Hanging Plates Installation *Continued.....*

Unpack the wall hanging plates which can be found in the Base Unit box and TV Unit box. Referencing **Diagram 1. Page 7.** mark all the required hanging plate guide lines, using the center line as the datum. **Note:** The height of the first run of plates may differ from the diagram when mounting the MediaVue higher on the wall. Once the guide lines have been marked, place the hanging plates in the required positions and mark the hole drilling positions. Drill and plug the mounting holes with the appropriate fittings for the wall medium. Screw all the wall hanging plates securely in place.

Floor Standing Installation

Unpack the Base Unit assembly and position top down on the floor. Use the surplus packaging to protect the face. Remove all the drawer boxes from the Base Unit. To remove the drawer box assembly. Open the drawer fully. Support the drawer weight and push the drawer runner release button on each side of the drawer runner. **See Diagram 2.** The drawer box will release from the runner guides. Place the drawer boxes to one side for later re-installation.

Unpack the Base Unit Style Kit. Floor standing cabinet end panels are identified by 6x pre-drilled holes on the rear of the cabinet end panels. Place the lefthand and righthand cabinet end panels face down on a clean work area. In the Base Unit Hardware Kit, you will find the 4x cam fixings and 2x dowels. Place the dowels in the 8mm center holes and screw the cam pins in the 5mm holes.

See Diagram 3.

Place the plinth front panel face down on a clean work area. Screw the 2x supplied L-brackets in place in the pre-drilled pilot holes with the supplied 12mm dome head screws. **See Diagram 4.** Check the holes for the cam bolts and dowels are clear.

Note: Remove the protective covers from the three panels where applied, before fitting in place. **Only certain color finishes have a protective cover.**

Note: Both floating and floor standing options are supplied in the same box. The parts that are not required can be put to one side.

Diagram 2

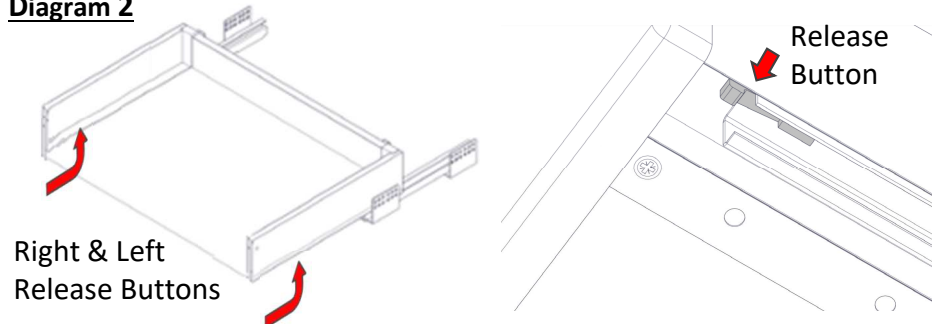


Diagram 3

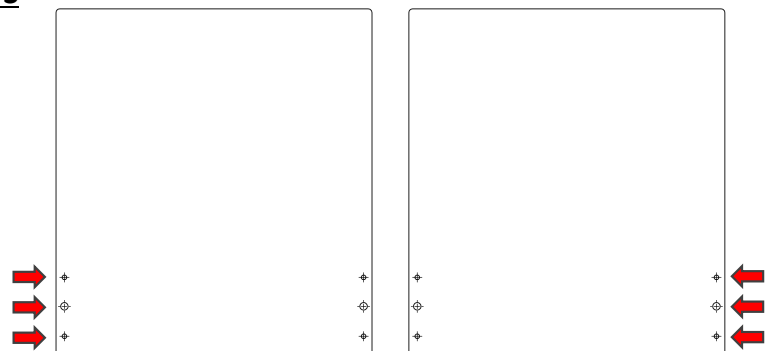
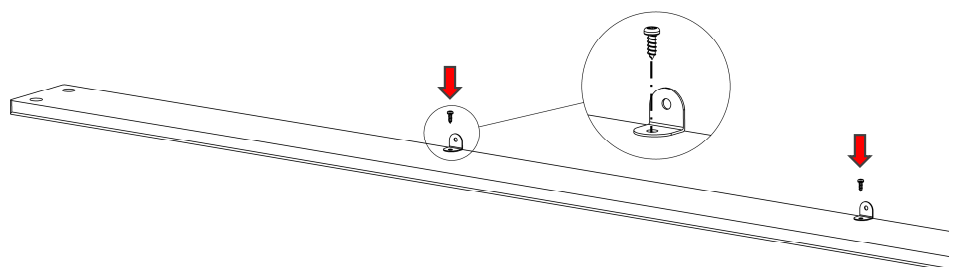


Diagram 4



Floor Standing Installation *Continued.....*

Place the right-hand end panel in position on the righthand gable end of the base unit. The top and rear edges must be flush with the Base Unit top and rear edges. **See Diagram 5.** Clamp in place with quick clamps at this point. If you do not have clamps, have a second person support the end panels while screwing together. Using the 4x supplied 30mm dome head screws (it will help to pilot drill the holes). **See Diagram 5 & 6.** Screw through the gable end panel and in to the cabinet end panel, securing the panel in place. Slide the plinth front panel on to the dowel / cam bolts.

Position the lefthand cabinet end panel on the lefthand gable end with the dowel / cam bolts located in the plinth front panel. Screw in place as with the right-hand side, using the supplied cams. Place the cams over the cam bolt head through the rear 15mm holes in the plinth front panel and turn 180 degrees to lock in position. Confirm the plinth front panel is parallel to the cabinet front and screw the 2x L-brackets on to the Base Unit cabinet base. **See Diagram 7.**

Next step is Mounting the Base Unit. **See Page 11.**

Diagram 5

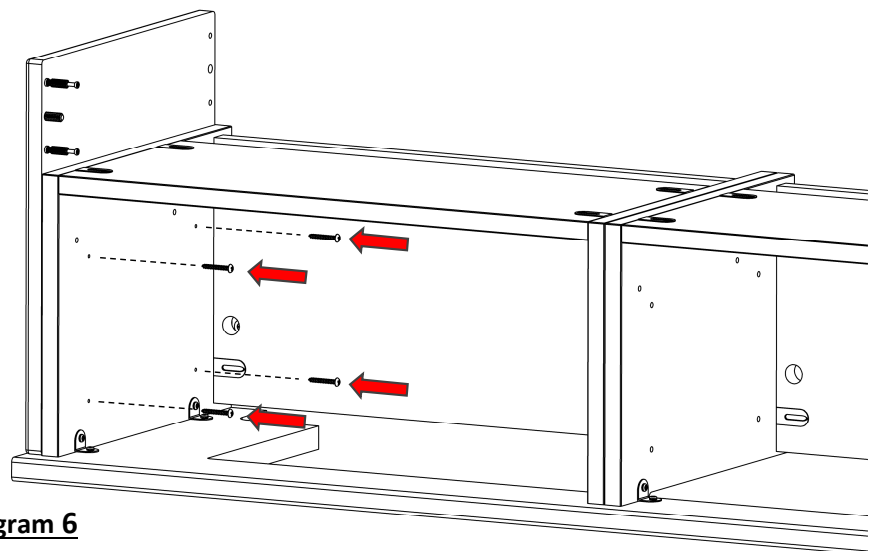
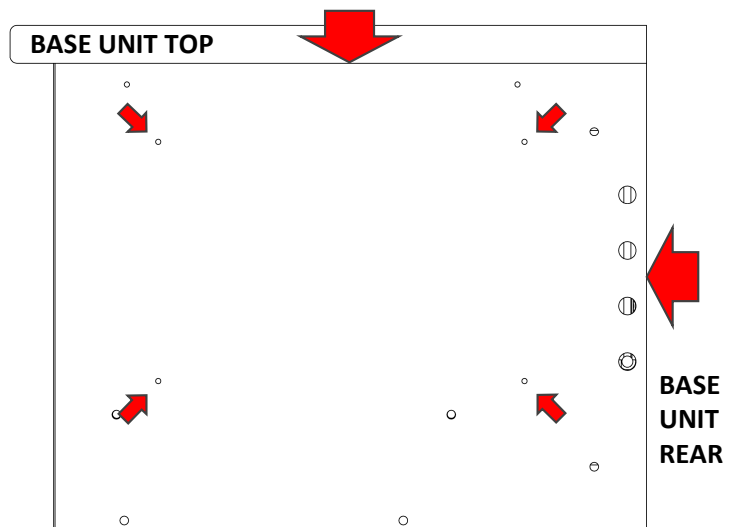


Diagram 6

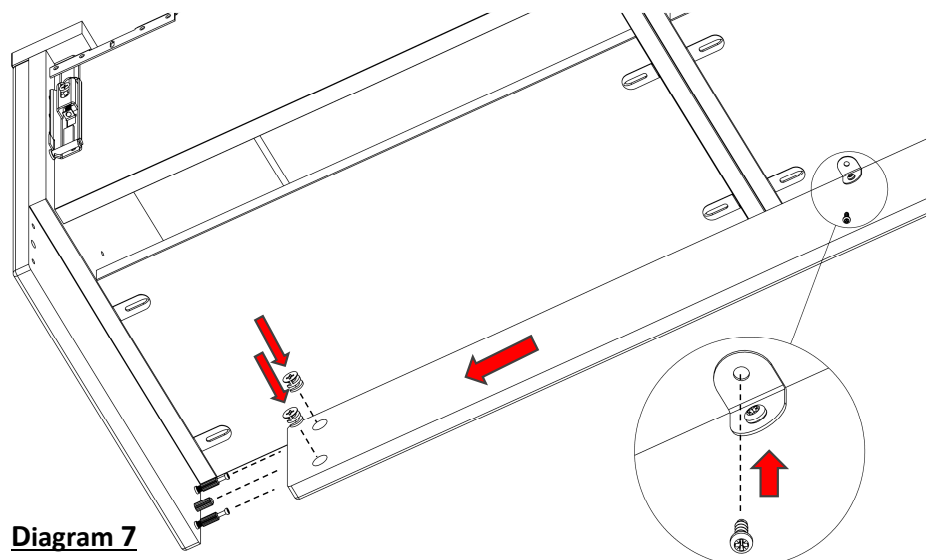


Diagram 7

Wall mounted Installation

Unpack the base unit assembly and position top down on the floor. Remove all the drawer boxes from the base unit. To remove the drawer box assembly. Open the drawer fully. Supporting the drawer weight and push the release button on underside of the drawer runner. **See Diagram 2.** The drawer box will release from the runner guides. Place the drawer boxes to one side for later re-installation.

Unpack the Base Unit Style Kit. Wall hung cabinet end panel are identified by having no holes in the panel rear. **Note:** Remove the protective covers from the three panels where applied, before fitting in place. **Only certain color finishes have a protective cover.**

Place the right-hand end panel in position on the righthand gable end of the base unit. The top and rear edges must be flush with the base unit top and rear edges. **See Diagram 8.** Clamp in place with quick clamps at this point if you have them or have a second person support the end panels while screwing together. Using the 4x supplied 30mm dome head screws (it will help to pilot drill the holes). **See Diagram 8 & 9.** Screw through the gable end panel and in to the cabinet end panels, securing the panel in place and repeat for the lefthand end panel.

Next step is Mounting the Base Unit. **See Page 11.**

Diagram 8

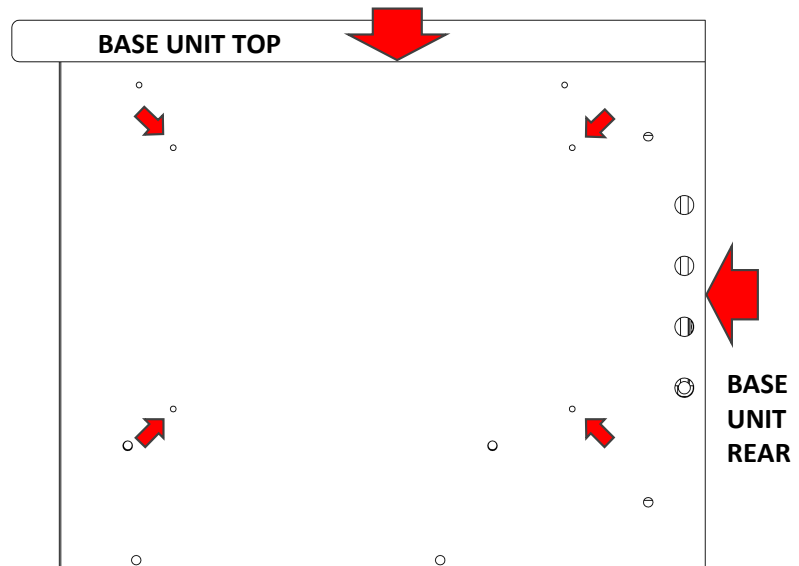
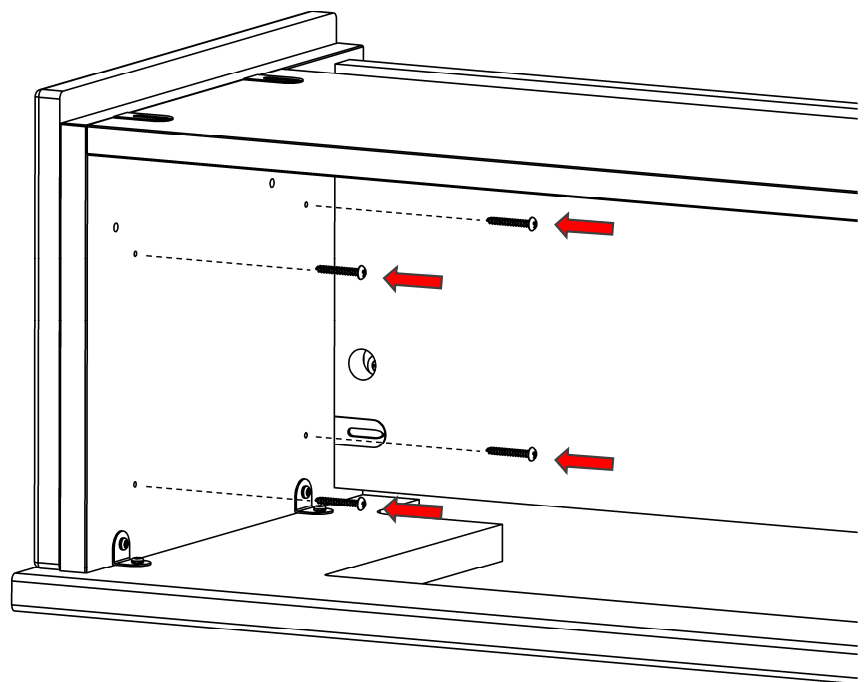


Diagram 9



Mounting The Base Unit

Now that the desired Style Kit is fitted to the Base Unit and the hanging plates have been installed on the wall. To aid the hanging of the Base Unit first screw the hanging bracket arms out away from the Base Unit back panel. The hanging brackets have been pre-fitted at the factory. Working from the rear of the Base Unit, screw the top adjustment screw clockwise until the arms have move fully out. **See Diagram 10.** Once all four hanging brackets arms are wound out, the Base Unit can be lifted in to place, centrally with the pre-marked center line. With the help of a second person, lift the base unit into position on to the pre-fitted wall hanging plates, ensuring the hanging brackets engage fully. At this point it is very important to confirm the base unit is vertical and horizontally level. The hanging brackets can be adjusted from the front, through an access hole in the rear panel. First adjust the top screws in the four hanging brackets, pulling the base unit to the wall. Before the unit is tight against the wall, adjust the bottom screw to set the unit height level with the earlier marked Base Unit top level line. Turn the screw clockwise to lift the unit and turn the screw counter clockwise to lower. **See Diagram 11.**

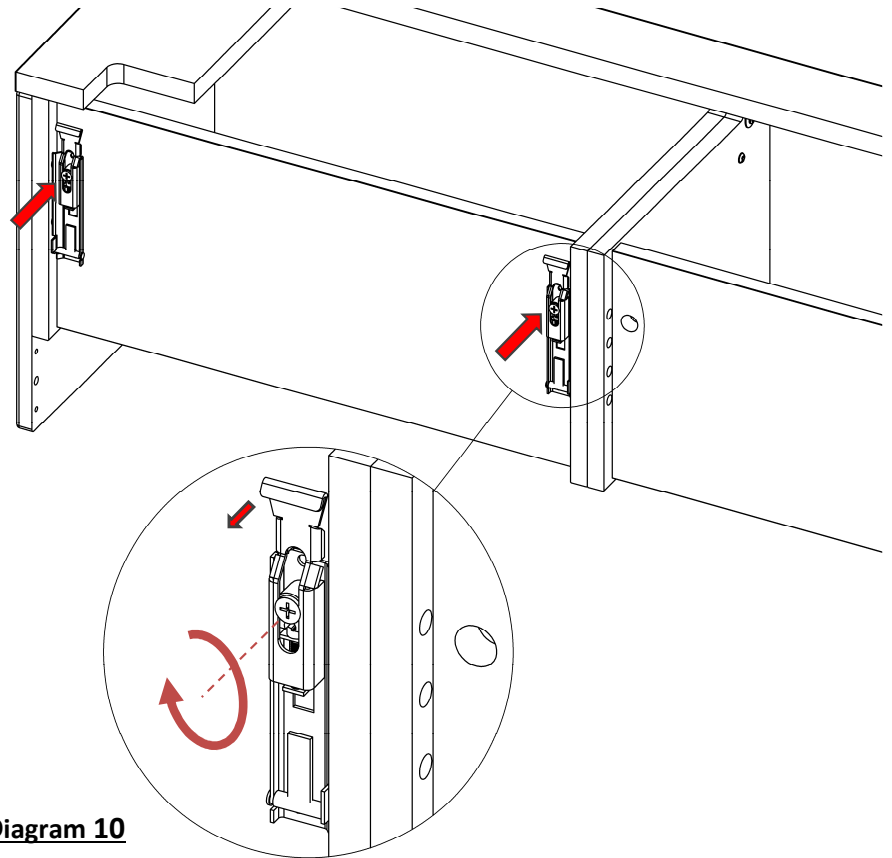


Diagram 10

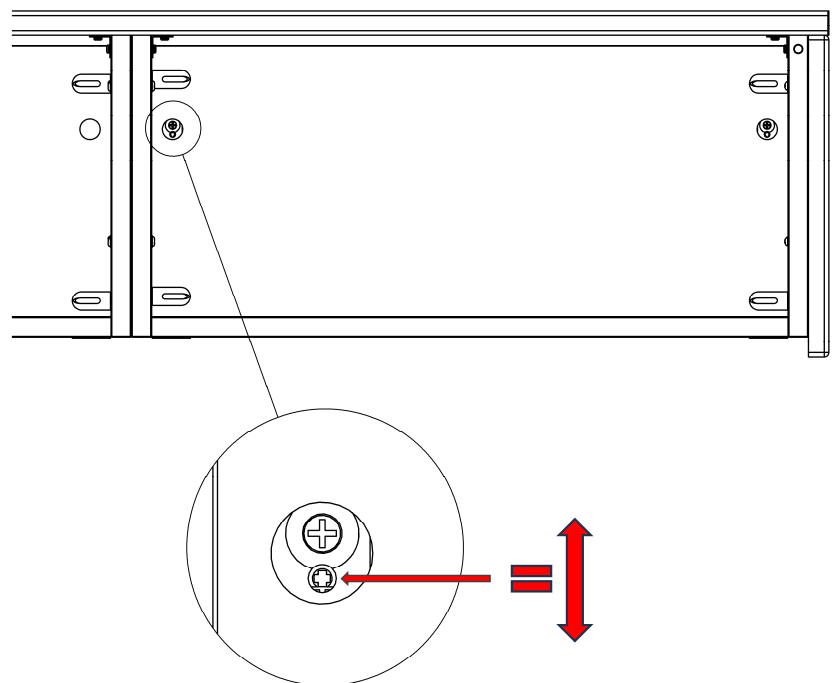


Diagram 11

Unpacking The Fire

Note: The fire is a two adult person lift. A second person will be required to lift and support the fire during installation.

Before the fire can be installed, consideration will need to be given to routing the power supply to the fire. This will affect the stages of the installation process. We advise a qualified electrician conduct any electrical parts of the installation. All specifications and details for the fire can be found in the separate fire instruction, supplied with the fire.

Note: An accessible single socket is required for the operation of the fire.

Unpack your new fire- **DO NOT** dispose of the packaging until you have checked and made sure all the parts are present.

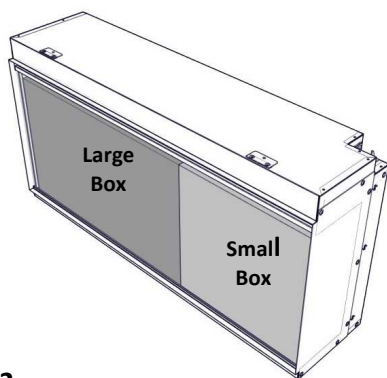


Diagram 12

Once the fire is unpacked the 2x Cardboard Boxes inside the fire need to be removed and the contents checked.

See Diagram 12.

Note: The fire is a two adult person lift.

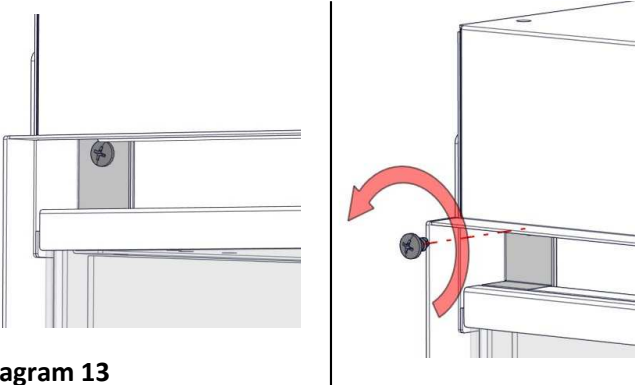


Diagram 13

To do this, unscrew the 2x Screws holding the Glass Bracket in place.

See Diagram 13.

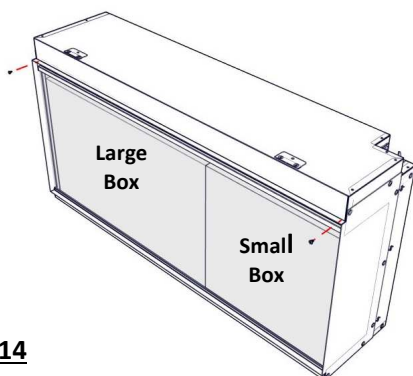


Diagram 14

There is 1x Screw either side of the fire.

See Diagram 14.

Please ensure all fixings are present before commencing installation. If anything is missing please call Customer Services on 01914300901 or email us at customerservices@bemodern.co.uk

Unpacking The Fire *Continued*.....

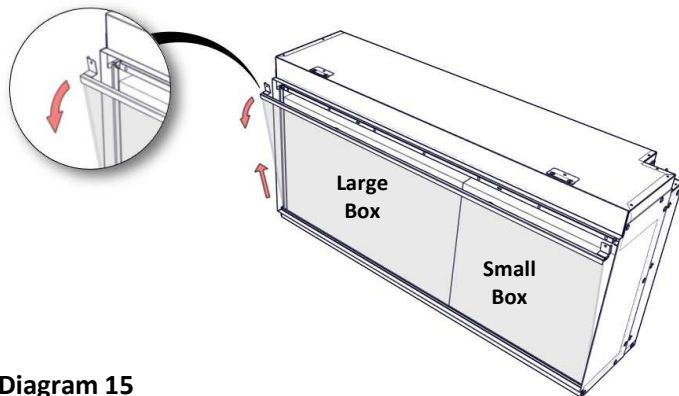


Diagram 15

Once the screws are removed- the Glass and Glass Bracket can be angled forward from the top of the fire and lifted out of the channel at the base of the glass.

Note: Place the Glass, Glass Bracket and 2x Screws in a safe place- these will be required later.

See Diagram 15.

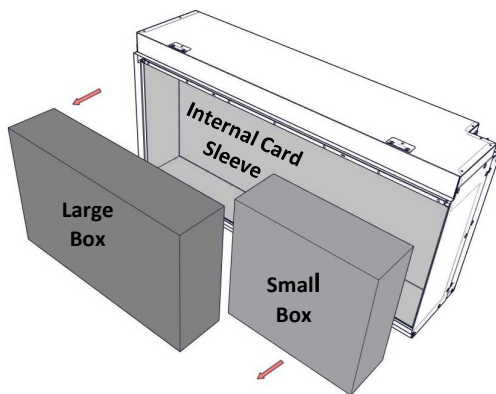


Diagram 16

Remove the 2x Cardboard Boxes from inside the fire and depending on the model purchased, check the contents.

Tip: Leave the protective internal card sleeve in place. This will help keep the internal of the fire clean during installation.

See Diagram 16.

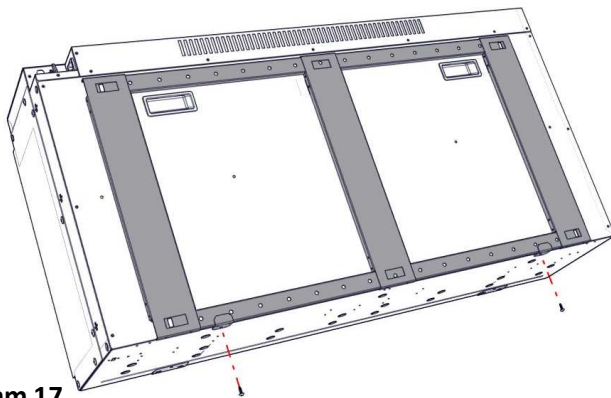


Diagram 17

For installation into the MediaVue, the rear mounting bracket must be first removed from the fire.

With the fire positioned on the floor lean the fire forward and remove the 2x Screws holding the bracket in place. These screw fixings will not be re-used in this installation.

See Diagram 17.

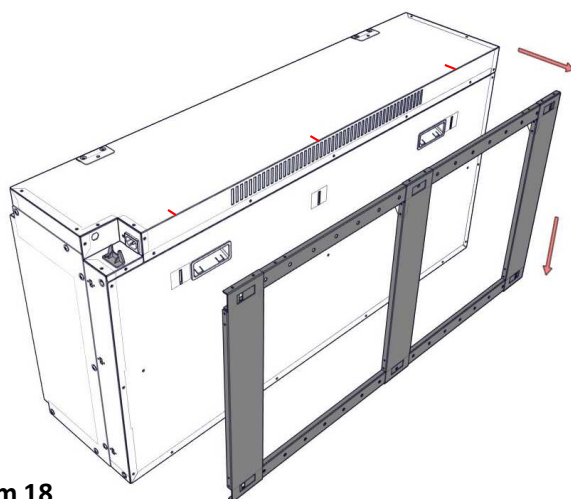


Diagram 18

Once the screws are removed, lower the mount bracket and lift the bracket away from the rear of the fire. Place mounting bracket safely to one side as this will be mounted to the wall later in this installation.

See Diagram 18.

Note: Adding guide mark lines to the top of the fire and wall in line with the hook positions will help with the fire installation

Preparing the Fire

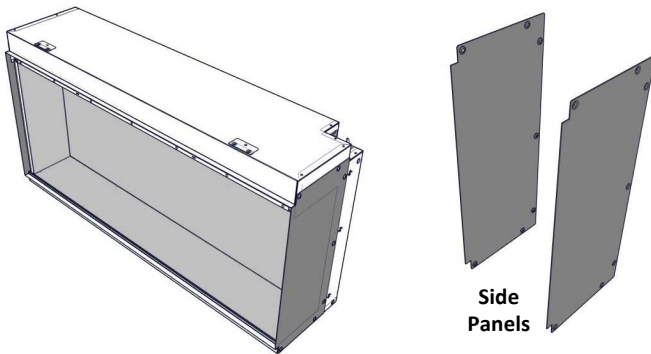


Diagram 19

1 Sided (Fully Recessed) Installation

The fire comes out the box already set up for 1 sided installation.

The 2x Side Panels will be fixed to the fire.
See Diagram 19.

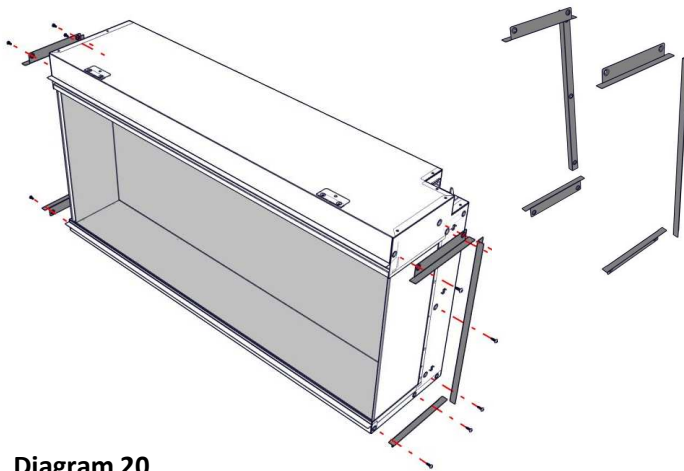


Diagram 20

3 Sided Installation

Remove the 14x Screws and the left hand and right hand side panels from the fire.

Locate the 4x Small Side Brackets and 2x Large Side Brackets and fix in place using the previously removed 14x Screws.

See Diagram 20.

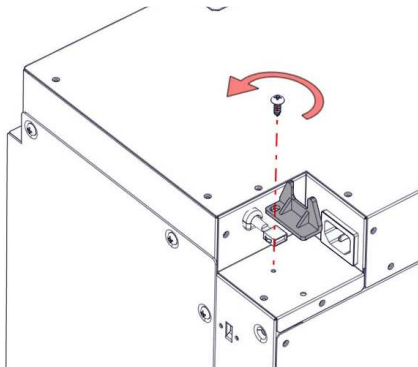


Diagram 21

Before fitting the fire ensure the power cable is installed.

Remove the 1x Screw holding the power cable fixing clip in place.
See Diagram 21.

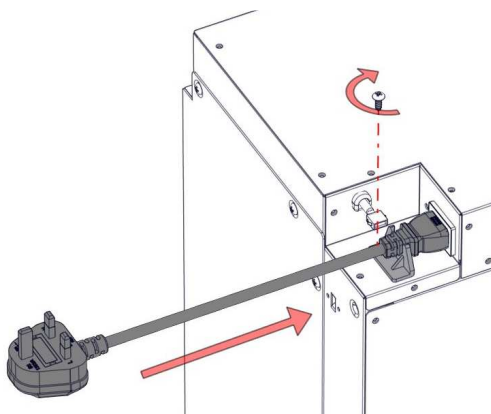


Diagram 22

Once removed place the cable clip under the IEC end of the power cable - insert the IEC into the connector port on the fire.

Finally screw the cable clip back in place.
See Diagram 22.

Preparing The Fire *Continued*....

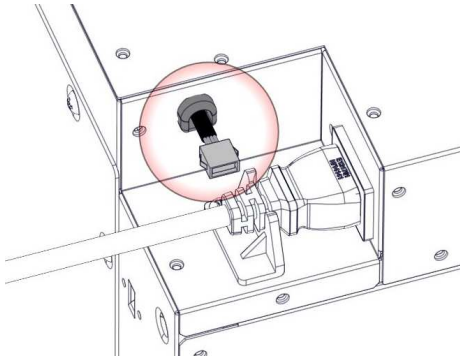


Diagram 23

If installing the **Optional** LED Light Set, familiarise yourself with where the LED Light Set connects into the fire. The light set must be connected prior to installing the fire. **See Diagram 23.**

830mm Fly Lead plus 3m LED lights are provided in a set.

Note: A compatible LED Light Set is available from **Bemodern Ltd. (Code: 050199)**. Other makes may not be suitable, and will void the warranty.

NOTE: When the LED Light Set is fitted, they should be checked for operation before the access is closed off by the installation. Access can be gained to the connector for maintenance when the MediaVue is fully installed, by removing the Base Unit Side Set.

Fire Installation and Mounting

To mount the fire on the wall. Place the mounting bracket central against the wall resting on the inner gables of the center drawer unit. As with the Base Unit it is very important the mount bracket is central on the Base Unit and horizontally level. If the wall is not flat, shims may be required behind the fire mount bracket. Mark a minimum of 6x mounting points through the provided mounting holes. Remove the mount bracket, drill and plug the holes. Reposition the mount bracket and secure in place. **See diagram 24.** The fire can now be lifted in to place and hung securely on the rear mount bracket hooks. Protect the Base Unit top with packing card when installing the fire. For added stability 2x extra top mount brackets are supplied. With the fire in place, unscrew the 2x top mount brackets that have been prefixed to the fire top panel for alternative installations at the factory (**See Diagram 25.**) and discard. These are not needed for this installation. Using the screws, you have just removed, attach the new replacement Top Mount Brackets in the same position as the removed brackets. The replacement brackets can be found supplied with the Base Unit. Gently push the fire top towards the wall and ensure the fire is level from front to back. Shims may be required. Mark the 4x hole positions. Remove the fire, drill and plug the marked holes with the appropriate fixing for the wall medium. Screw the brackets to the wall securing the fire in place. **See diagram 26.**

Diagram 24

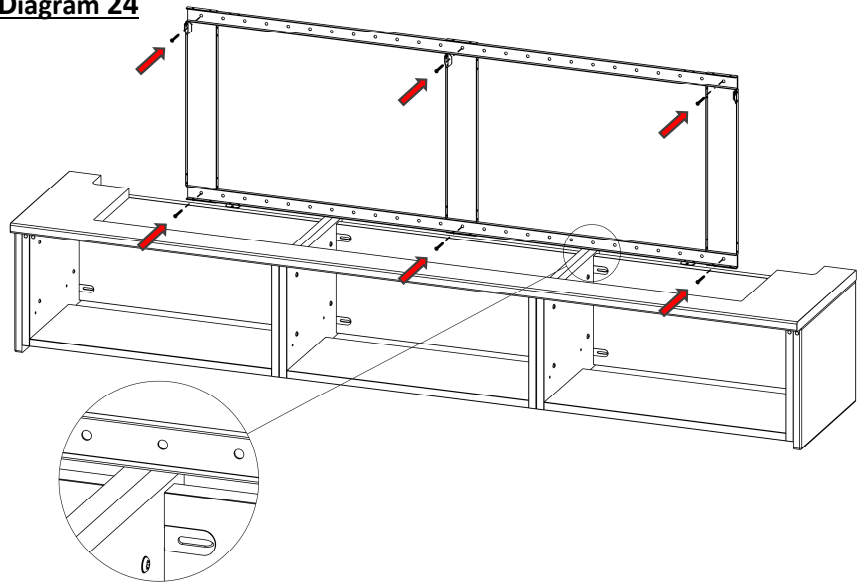


Diagram 25

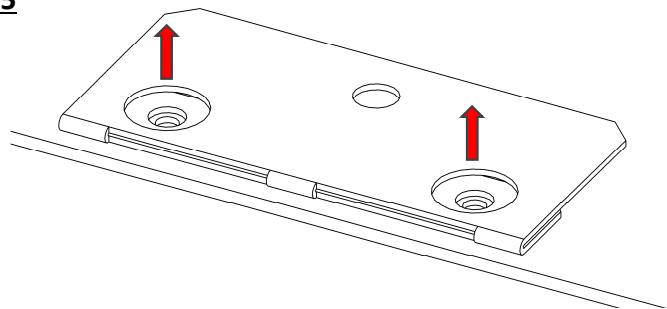
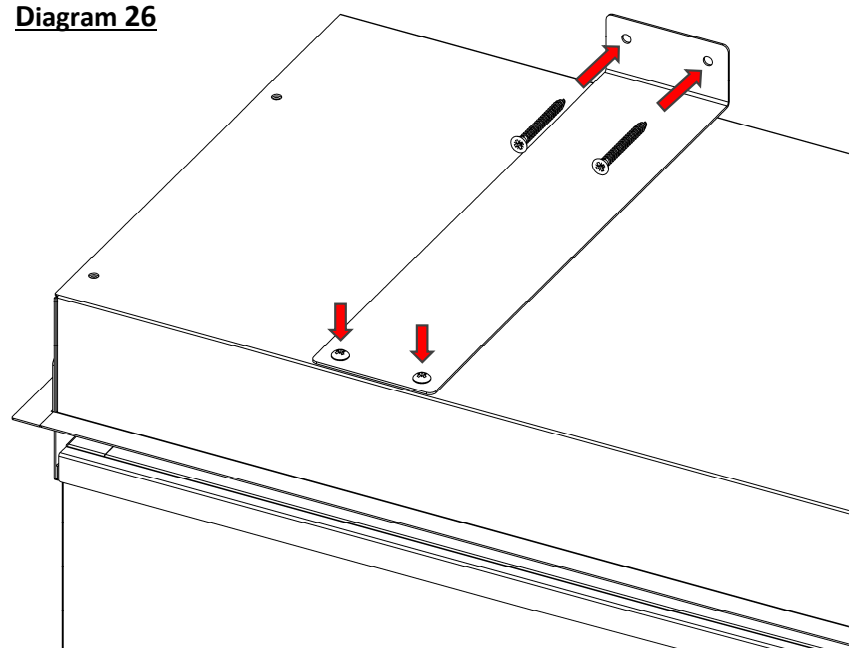


Diagram 26



TV Unit Installation

The hanging brackets have been pre-fitted at the factory. To aid with the hanging of the TV Unit first screw the hanging bracket arms out away from the main body of the hanging brackets. Working from the rear of the TV Unit, screw the top adjustment screw clockwise until the arms have move fully out. Once all four arms are wound out. The TV Unit can then be lifted by two people in to place, centrally over the Fire.

Note: Remove the protective covers from the panels where applied, before fitting in place.

Only certain color finishes have a protective cover. Hook the hanging brackets over the hanging plates.

Note: the top section of the Fire will sit internally of the TV Unit. Great care is needed when fitting the TV Unit over the Fire. **See Diagram 27.** The TV Unit should be positioned to sit level 1mm to 2mm above the Fire trim, situated above the heating outlet.

The TV Unit will also need to be horizontally level and in line with the wall. The hanging brackets can be adjusted from the front. First adjust the top screws of the four hanging brackets, pulling the TV unit to the wall. Before the unit is tight against the wall, adjust the bottom screw to set the unit level over the Fire and vertically in line with the earlier marked center line. Turn screw clockwise to lift unit and counter clockwise to lower. Finally screw the TV Unit tight up to the wall.

See Diagram 27 & 28.

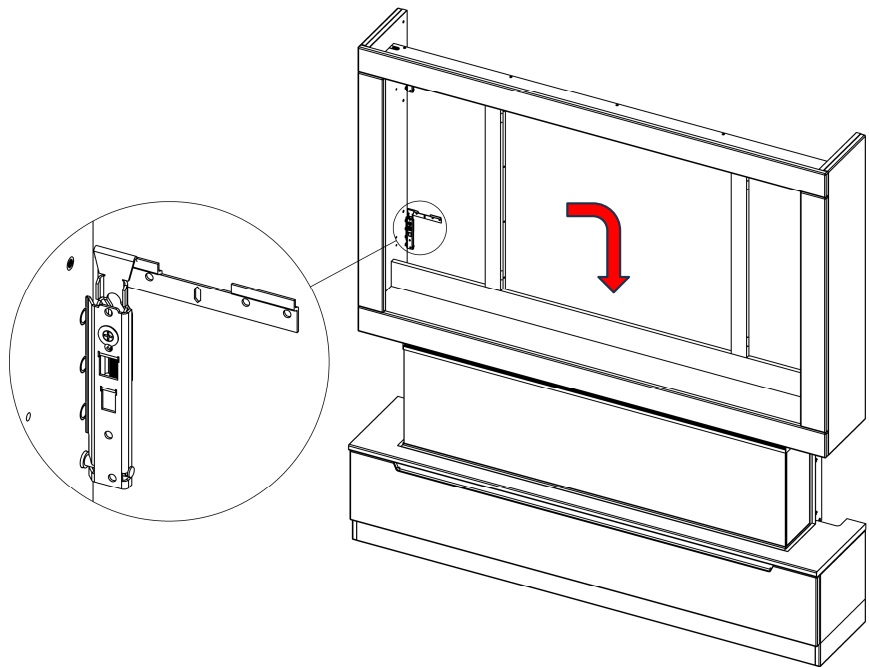


Diagram 27

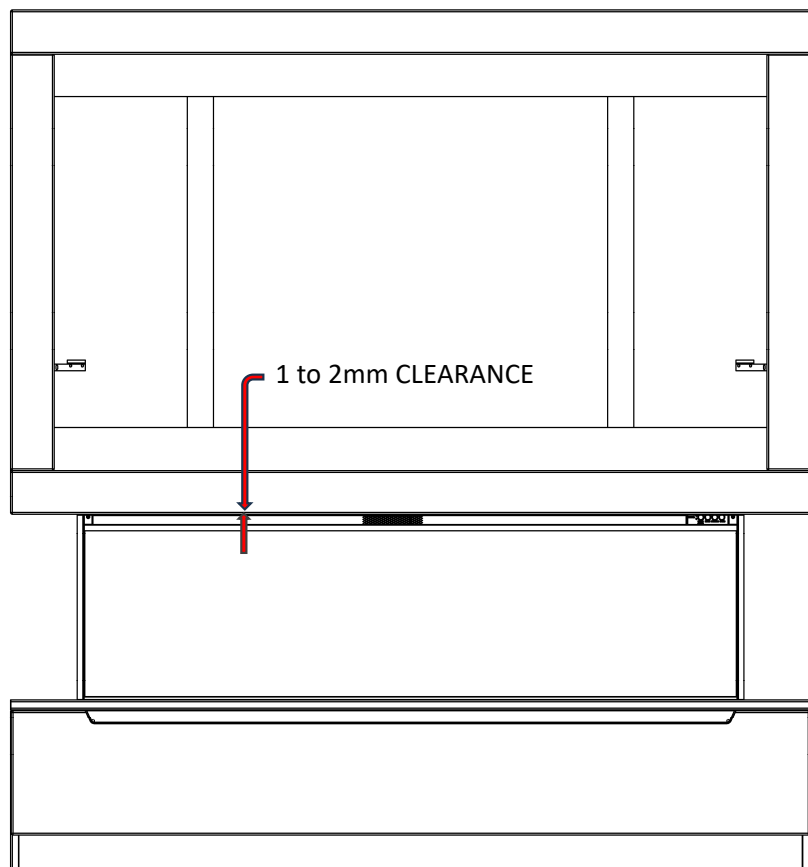


Diagram 28

TV Unit Installation *Continued....*

Once the TV Unit is in the finished position. To provide extra support and security, 4x optional extra angle-brackets have been supplied in the hardware kit. The angle-brackets can be installed at any position along the inside gable rear edge. This will give the greatest options to find a solid wall fitting point. Drill and plug the angle-bracket fixing holes with the appropriate fixings for the wall medium and secure firmly to the wall on both sides. See **Diagram 29 & 30.**

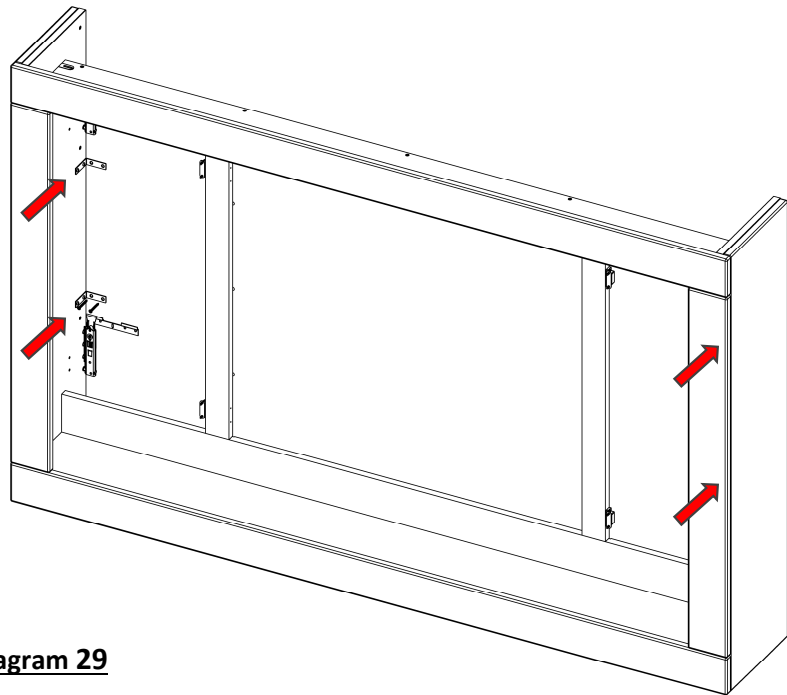
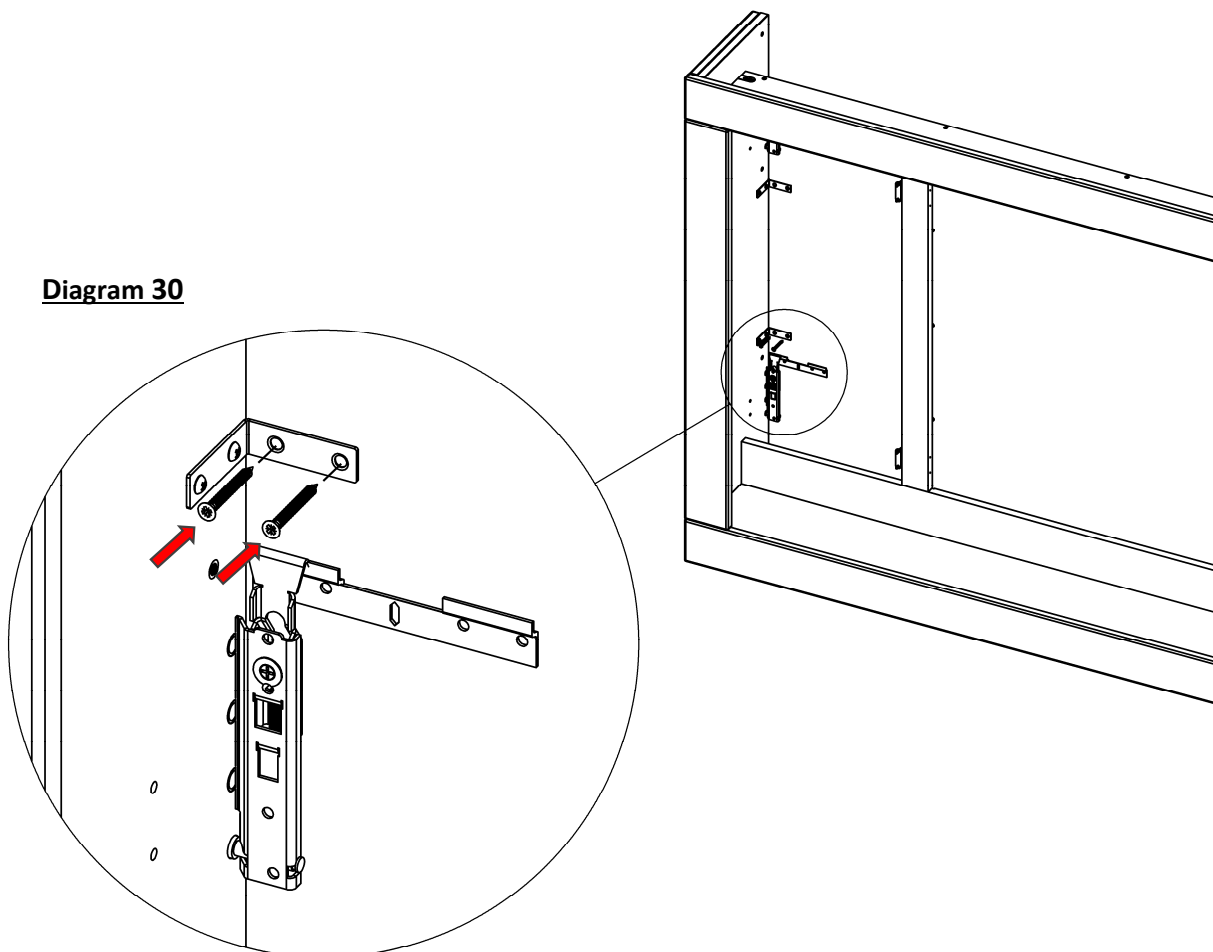


Diagram 29

Diagram 30



Base Unit Side Set Installation

At this stage the two Base Unit Side Sets can be unpacked. The magnet catches supplied in the Base Unit hardware kit, can be screwed in place. Screw with 2x 12mm dome head screws in the pilot marked points. The Side Sets can be placed in position on the Base Unit Top at each side of the Fire. The Side Sets should slide in to position behind the Fire side trims and magnetically attach to the Fire. See **Diagram 31**.

If it is found that the Side Sets are binding on the base of the TV Unit when fitting. The TV Unit can be lifted by adjusting the hanging brackets slightly.

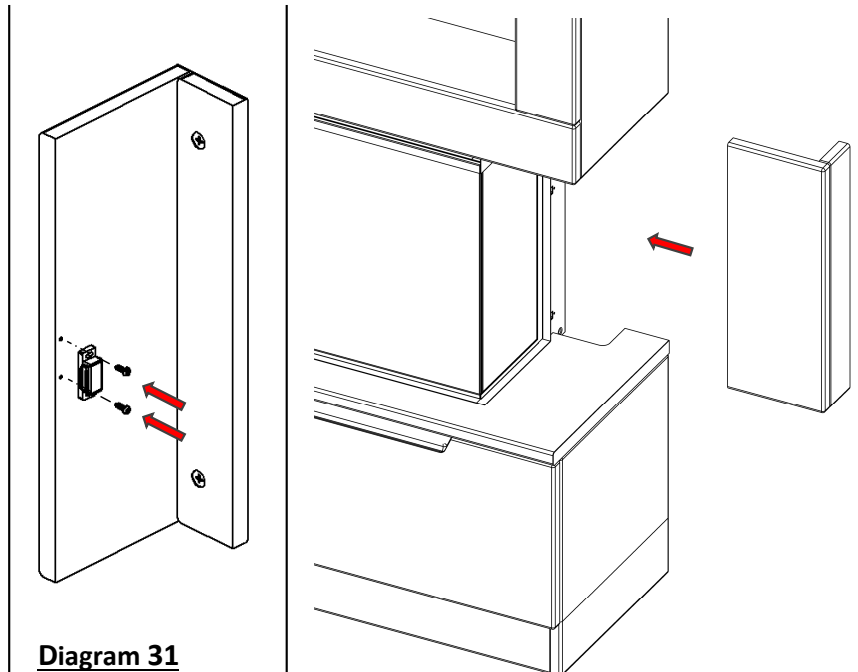


Diagram 31

TV Unit Back Panel Set Installation

Dependent on the planned TV mount installation. Consideration will need to be given to the TV and bracket mounting specifications, power cable, accessory cable routing and any cut-outs required in the main center Back Panel. We recommend any cutting required, is carried out before the Center Back Panel is installed.

IMPORTANT NOTE: Arm style TV mount brackets should be mounted directly to the main wall.

To fit the Back Panels in place first start with the main center Back Panel. The main center Back Panel is packed from the factory with a transit rail between the two fixing rails. Unpack the Back Panel parts and remove the transit rail which is screwed to the fixing rails at both sides. The transit rail is no longer required. See **Diagram 32**.

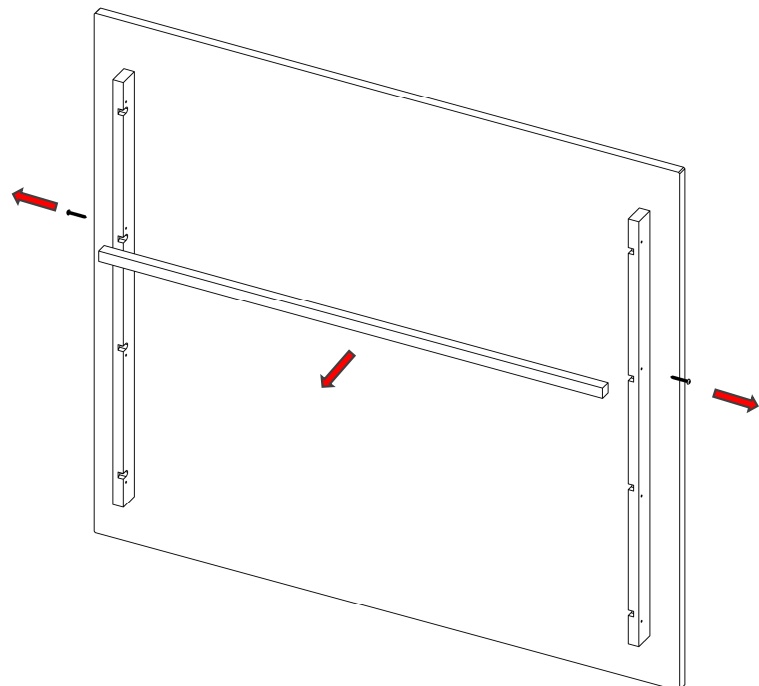


Diagram 32

TV Unit Back Panel Set Installation *Continued.....*

Securing the center Back Panel. Lift the center Back Panel up and place in the TV Unit frame. The base unit side panel that is not being used for this installation can be used as a packer under the bottom edge. With one person supporting the Back Panel the second can screw it in place through the rear fixing rails. The rails have been pre-drilled at the factory for ease of assembly. Both rails must be securely screwed in place with the supplied 8x 30mm dome head screws. To center the panel in the TV Unit, one side of fixing screws may need to be backed off a couple of millimeters and the opposite side tightened to center the Back Panel. The packer can be carefully remove now. See **Diagram 33**.

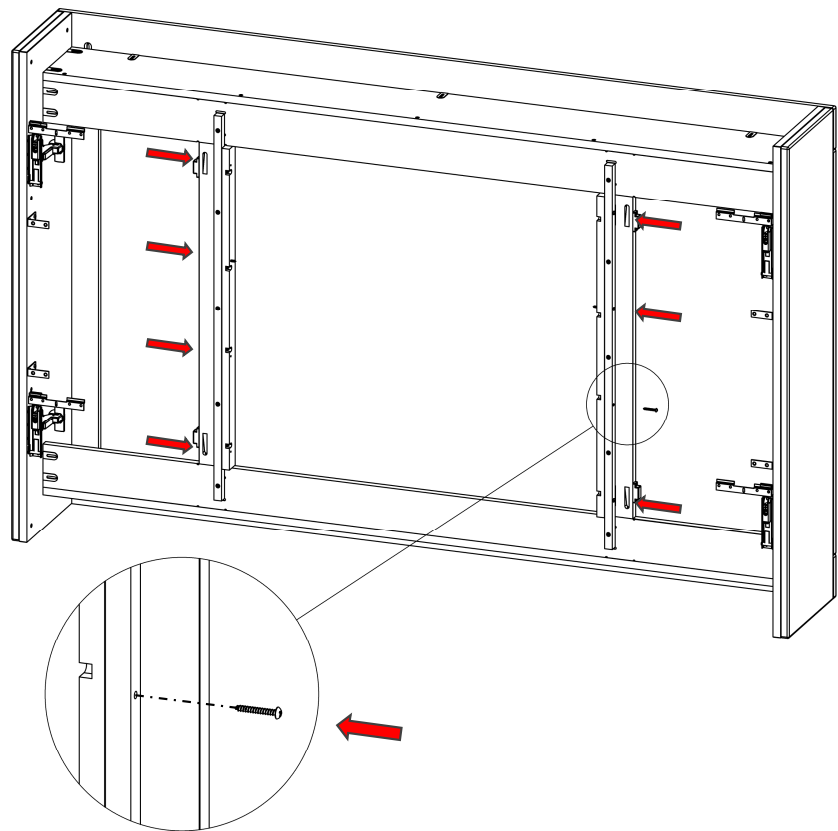


Diagram 33

The 2x side Back Panels are secured in place using hinge fittings. Positioned 2x hinge plates to each side of the TV Units inner gables. One at top and one bottom. The fixing holes have been pre-drilled in the panels at the factory and the screws are pre-fitted to the hinge plates. If the hinge plates are attached to the hinges. Press the release button at the rear of the hinge to separate the plate and hinge. Note: The orientation of the hinge plate in relation to the hinge for fitment. Securely fit the 4x hinge plates to the left & right gables. See Diagram 34 & 36.

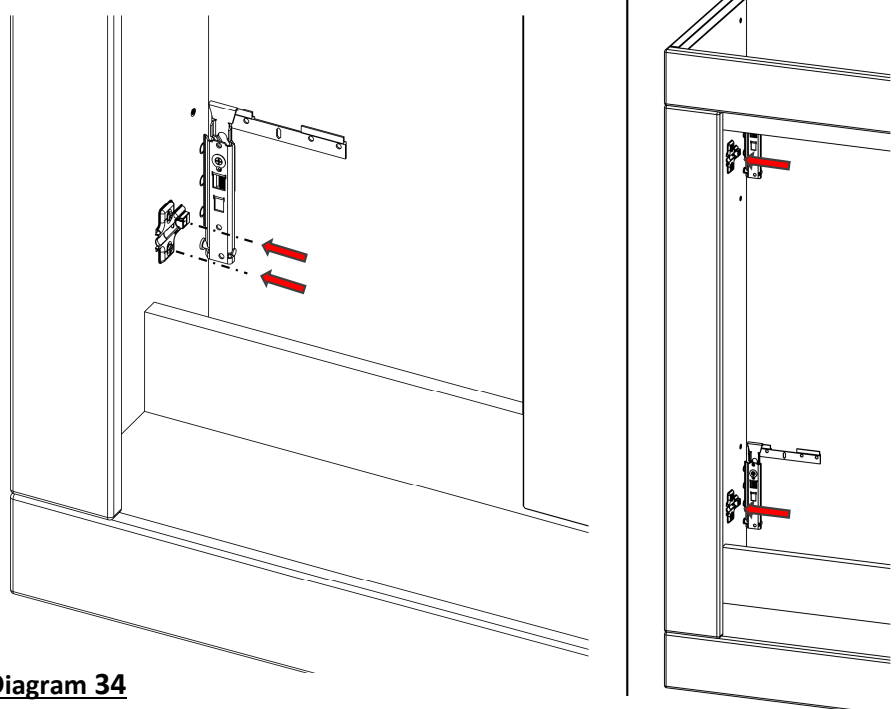


Diagram 34

TV Unit Back Panel Set Installation *Continued.....*

Place the Back Panel side panels face down on a clean work area. Place the 4x hinges in the pre-drill 35mm diameter hinge holes. Using the supplied 16mm screws. Screw the hinges in place with 2x screws per hinge. See **Diagram 35**.

The 2x Side Back Panels can now be fitted in place by connecting the hinges to the hinge plates. The hinges can be adjusted to allow the Back Panel Sides to be lined up with the center Back Panel.

Screw the adjuster screw A-A clockwise, moving the hook away from the hinge body to aid fitment of the Side Panels. See **Diagram 36**. Place the hinge mounting hook in to the front of the mounting plate and push the rear of the hinge onto the hinge plate until it clicks and hold firmly. With both hinges connected, the Side Panels can be adjusted in three planes as indicated. See **Diagram 36**. Lining the Side Panels up to the Center Panel. **Note:** The magnet catches are purely fitted to offer extra support for the Back Panel Sides and connect to the prefixed magnets.

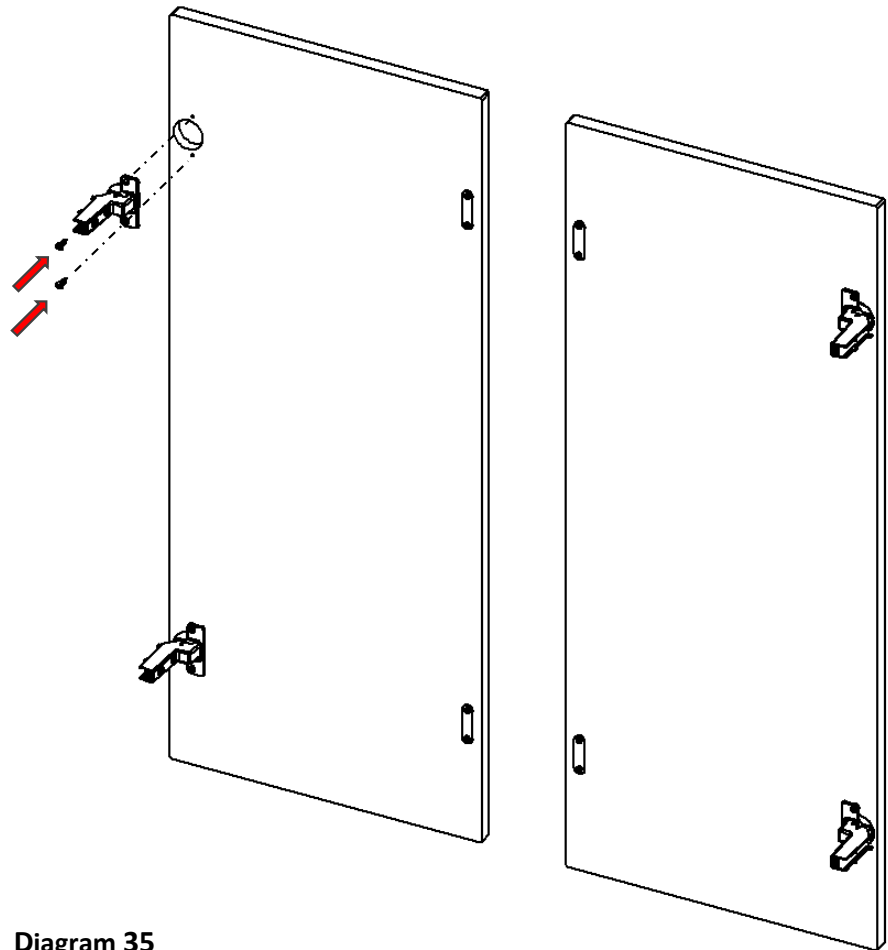


Diagram 35

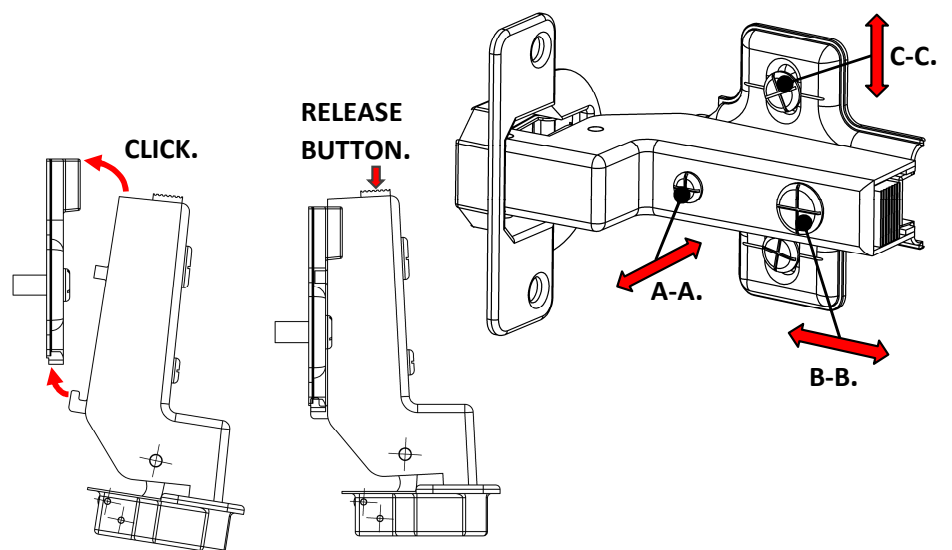


Diagram 36

Base Unit Drawer Installation

The last part of the MediaVue installation is to refit the drawer boxes. To attach the boxes, first slide the drawer runner guides out and place the drawer box runner rear edge on to the drawer runner guide about half way along the runner guide. Then lower the draw box down on to the runner guides and slide the complete assembly back until they click in place. The drawer box and runners should move in and out as one. Repeat for the three drawer boxes and confirm the drawer boxes are moving in and out smoothly. **See Diagram 37 & 38.**

Locate the Style Kit Drawer Front panel, stored safely in an earlier step and lay it flat on a clean work area. Screw the 6x mounting connectors, (supplied in the Base Unit hardware kit) to the Drawer Front Panel. The drawer front is pre-drilled with 2x pilot holes per mounting connector. First screw the mount connector in place through the two bottom holes. Once the mount connector is fixed securely in place, the third top screw can be added. **See Diagram 39.**

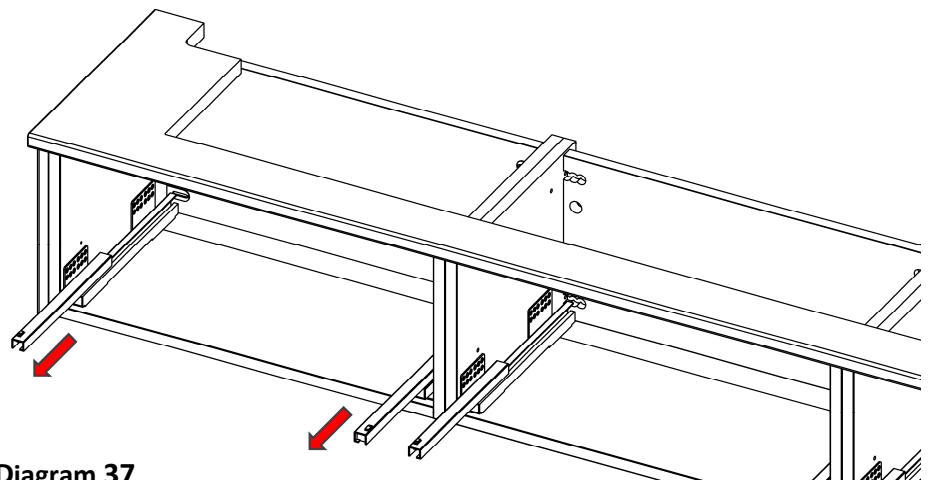


Diagram 37

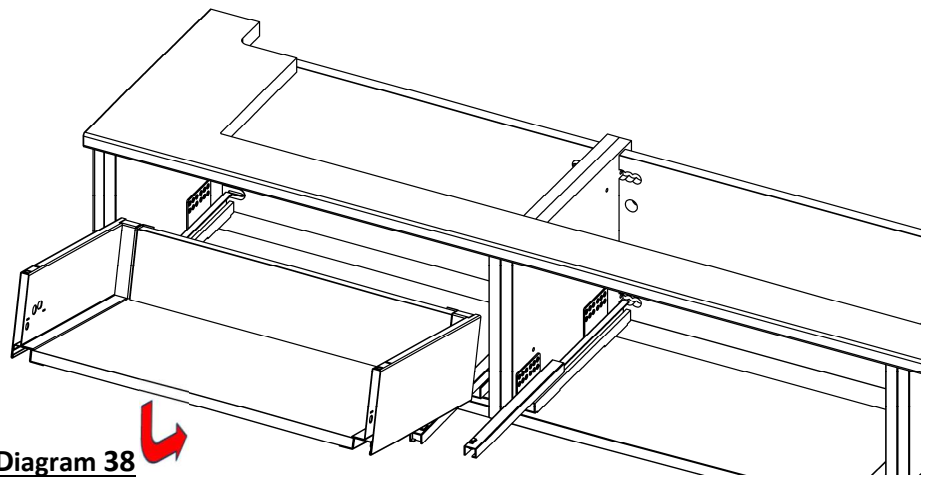


Diagram 38

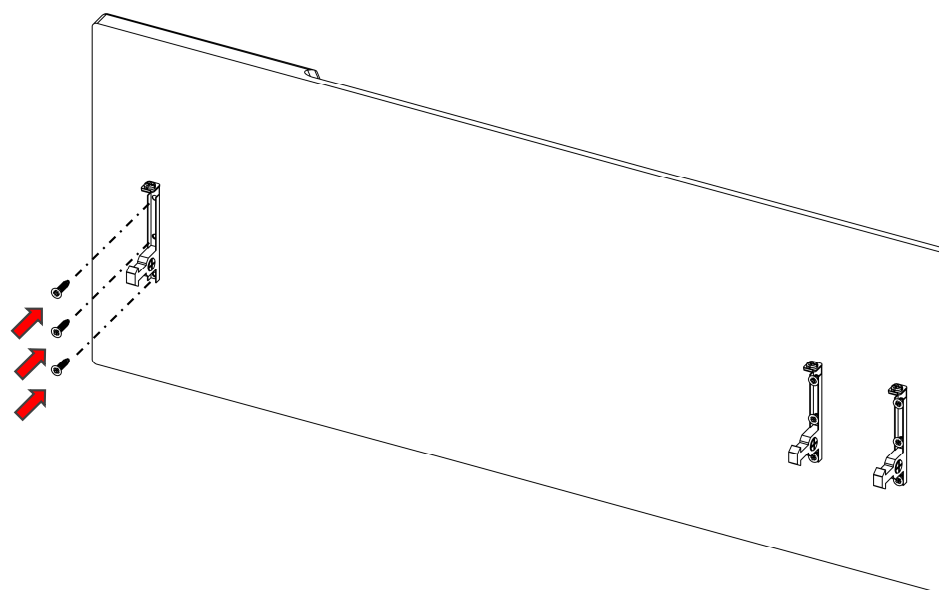


Diagram 39

Base Unit Drawer Installation *Continued*.....

To fit the drawer front to the drawer boxes. Lift the drawer front up in line with the Base Unit drawer boxes and with the help of a second person aligning the mounting connectors with the drawer runner connectors. Slide each drawer boxes out individually, guiding the connectors in to the draw box until they click in place. **See Diagram 40.** Once all drawer boxes have been connected. Cycle the drawers in and out to confirm all 6 connectors have locked in place. Once the drawer front is secured in place. The drawer front alignment can be adjusted with a screw driver using the internal adjusters. See the Drawer Adjustment details for fine tuning of the drawer front panel. **Diagrams 41,42,43 & 44.**

If handles are being installed with the smooth styling kit then these can now be fitted in the desired position- consider placing them over the drawer joints of the base unit.

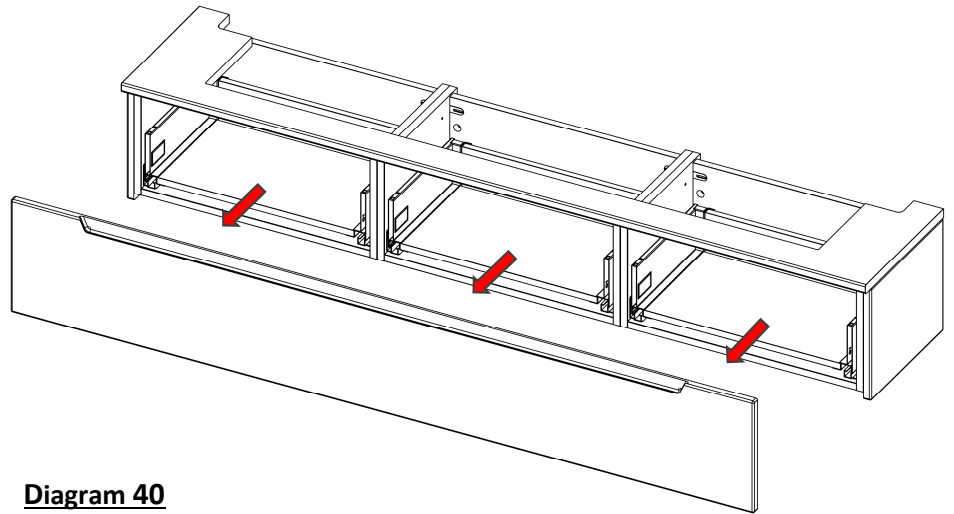


Diagram 40

Drawer Left/Right Adjustment

Turn screw Clockwise to adjust drawer to the right. Turn screw Anti-Clockwise to adjust drawer to the left.

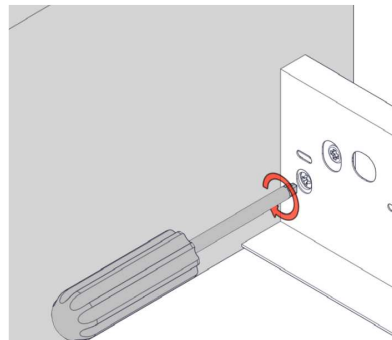


Diagram 41

Drawer Up/Down Adjustment

Turn screw Clockwise to adjust drawer upwards. Turn screw Anti-Clockwise to adjust downwards.

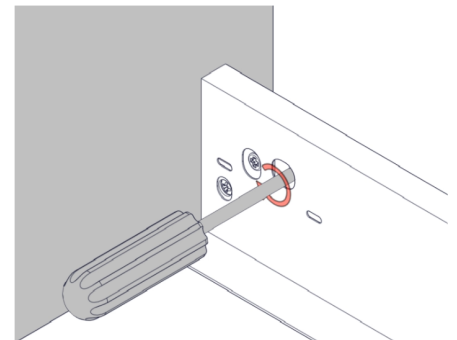


Diagram 42

Cover Cap Fitting

Fit the cover caps onto drawer side. Push fitting into slotted grooves in drawer side.

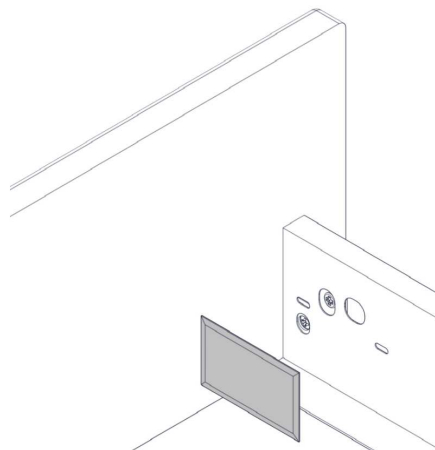


Diagram 43

Drawer Front Removal

Remove the cover caps. Turn the screw anticlockwise as indicated below. This will release the drawer front from the drawer box.

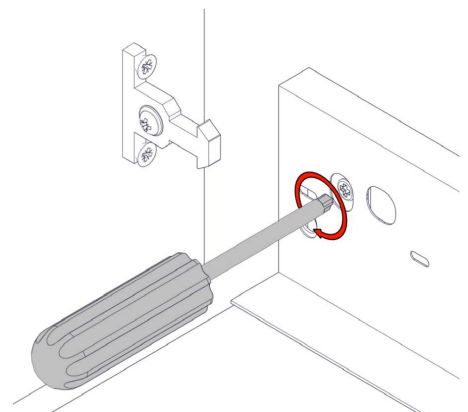


Diagram 44

Fuel Bed Layout & Log Positioning

For instructions on how to dress the fuel bed please follow P24 & P25 here, for the Standard Arteon Log and Fuel bed option pack supplied inside the fire or the separate instruction supplied with the Arteon Enhanced Split Logs and Fuel Bed option pack.

Note: Reference the separate Fire installation instruction for the Fire installation, setup and operation.

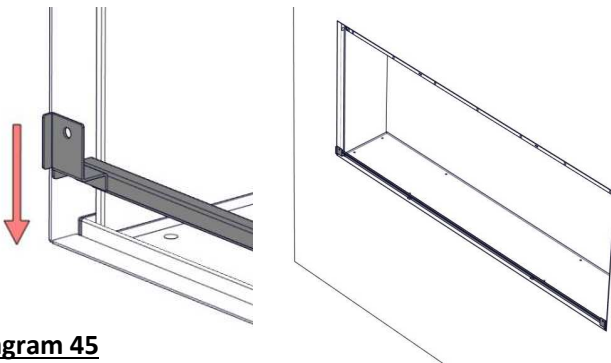


Diagram 45

Tip: Before dressing the fuel bed- position the previously removed glass bracket in the channel in the base of the fire, this will help to stop the smaller fuel bed material falling into the channel during installation.

See Diagram 45.

The dressing of the fuel bed can be fully tailored to the customers individual tastes. A sufficient amount of each fuel bed finishing material has been provided to cover the fuel bed in a single type of material.

Fuel Bed Dressing- As a starting point follow the example below:

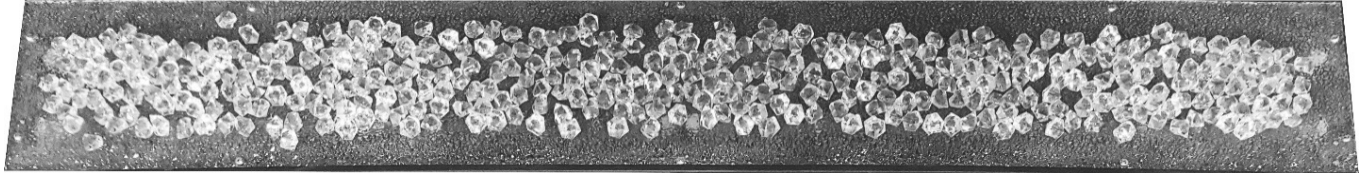


Diagram 46- Place a large amount of crystals in the centre of the fuel bed- leaving a gap around the edges.

Tip: The crystals pick up light from the under bed lights to give you a realistic glowing ember effect, so we recommend using a generous amount.



Diagram 47- Fill the space around the edges of the crystals with the pebbles, as well as randomly in between the crystals.



Diagram 48- Add the bark and/or the grey slate sparingly and randomly across the top of the crystals and pebbles. Finally arrange the logs on top.

Fuel Bed Layout & Log Positioning *Continued.....*

Positioning the logs- As a starting point follow the example below:



Diagram 49- Above shows an example of the 6x log set up for the **Arteon 1000 3SL** .

For the **Arteon 15003SL**, offset the **1000 3SL** 6x log arrangement to the right leaving enough room for 1x smaller log to the right. Finally position the remaining 2x smaller logs to the left of the arrangement.

Note: The MediaVue suite is supplied with an enhanced Arteon Split Log & Fuel Bed Set. See additional supplied instruction for the set up details.

Replacing The Glass

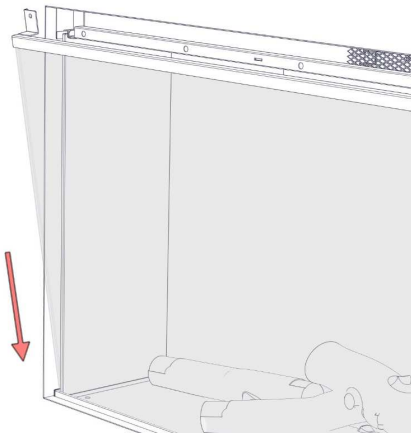


Diagram 50

Finally the Glass and Glass Bracket can be refitted, using the previously removed 2x Screws.

Tip- Check the channel in the base of the fire is free of any fuel bed material before proceeding further.

Centralize the Glass Bracket on top of the Glass.

Tip- Ensure the rear of the glass is clean before fixing in place.

With the cleaned Glass and Glass Bracket angled forward slightly, position in the channel in the base of the fire. See **Diagram 50**.

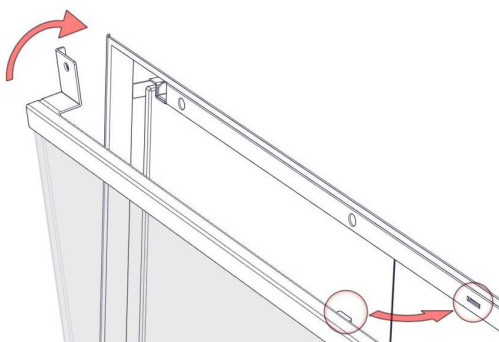


Diagram 51

Carefully push the Glass and Glass Bracket back towards the installed fire ensuring the tabs on the Glass Bracket align with the cut outs on the fire and that the holes on the Glass Bracket align with the holes on the fire.

See **Diagram 51**.

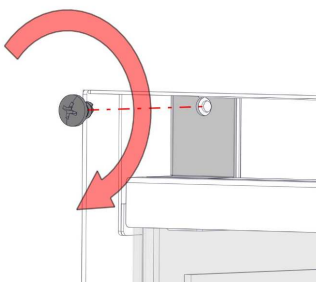
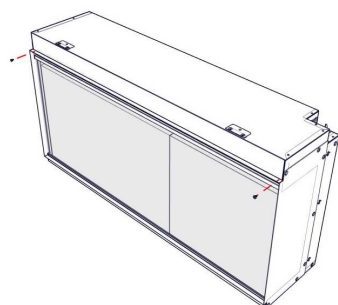


Diagram 52



Once in the correct position secure with the 2x Screws.

1x Screw either side of the fire.

See **Diagram 52**.

The MediaVue installation is now complete.

For manual and remote operating instructions see the separate Fire operation instruction supplied with the fire.

Maintenance

WARNING: Before any maintenance or whilst cleaning the exterior of the fireplace, the unit should be disconnected from the power supply and allowed to cooled down.

Cleaning the Fire

Cleaning or polishing products are not recommended. Fingerprints or other marks on the front glass panel can be removed by a piece of soft, damp, lint-free cloth with a good quality household glass cleaner. The front glass panel should always be completely dried with a clean, lint-free cloth or paper towel.

CAUTION: Abrasive cleaners should not be used on the glass panel. Liquids should not be sprayed directly onto any surface of the unit.

Cleaning the Furniture

Wipe up spills and condensation immediately with a clean damp cloth. When cleaning the furniture, we also recommend using a clean damp cloth. Avoid using cleaners or polishes that contain abrasives, solvents, acid and ammonia.

Troubleshooting

Should you have any queries regarding this product please contact Customer Services on 01914300901 or email us at customerservices@bemodern.co.uk

Recycling

All cardboard packing is recyclable.

IMPORTANT NOTE:

Wall fixings (i.e. screws/wall plugs etc.) are not supplied as these are crucially dependent upon the type of wall surface the MediaVue suite is going to be fixed too.

The installer is therefore responsible for ensuring that suitable fittings are used as well as individual fitting situations and environments. All mechanical fixings, for holding the MediaVue in position, must be secured to a solid wall or structure.